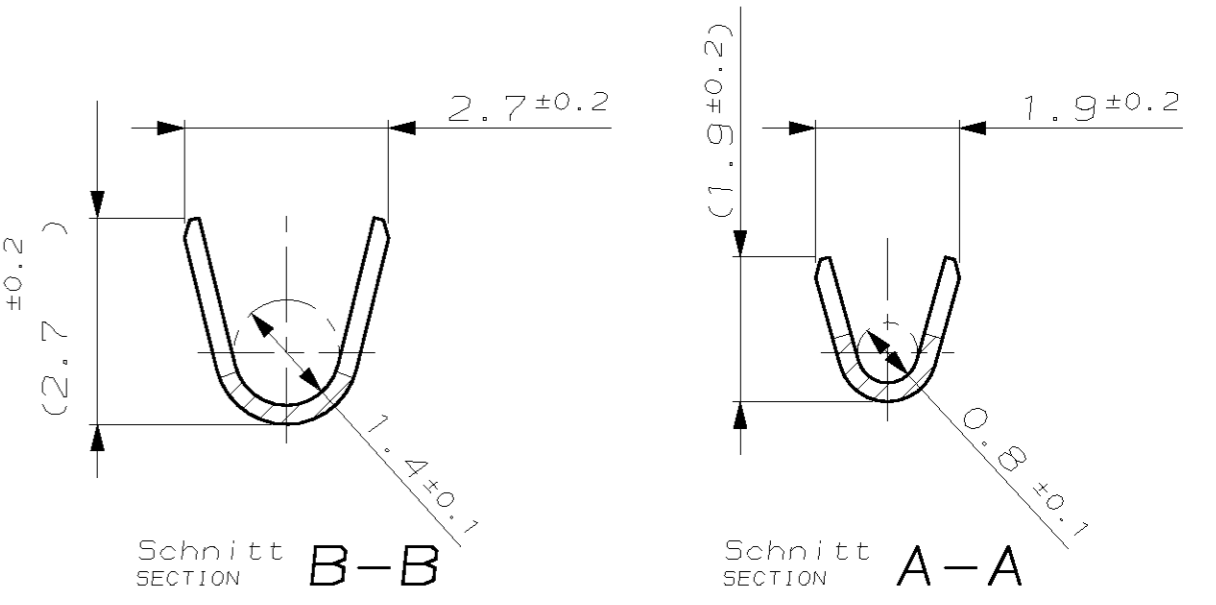
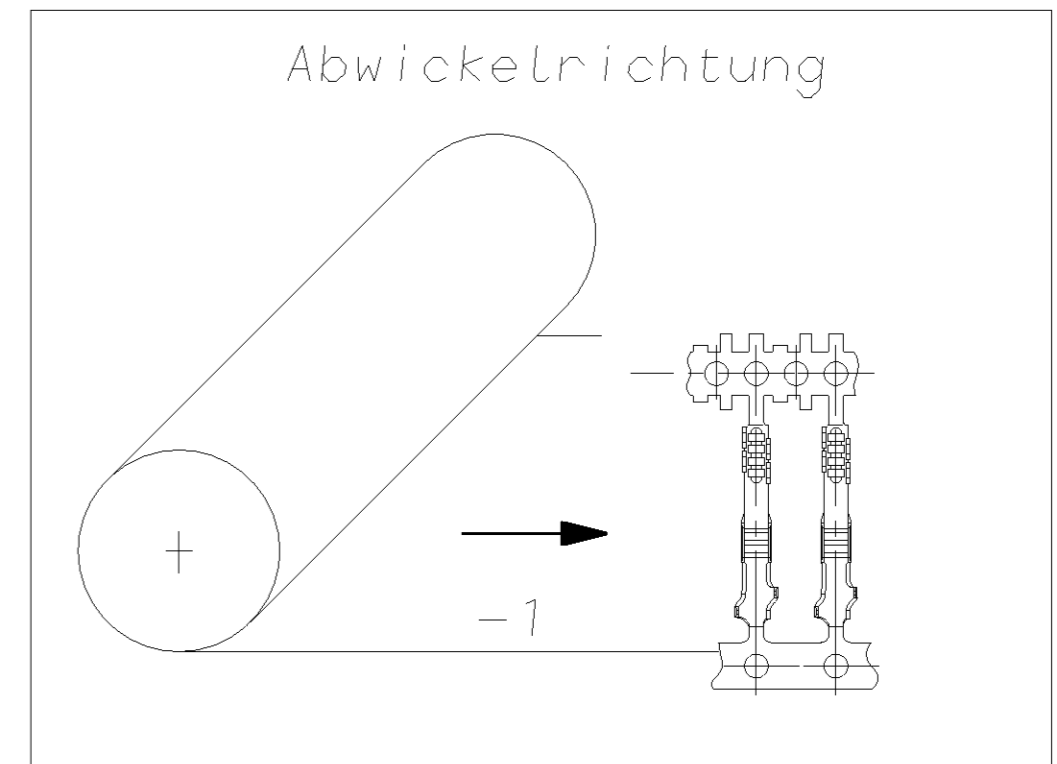
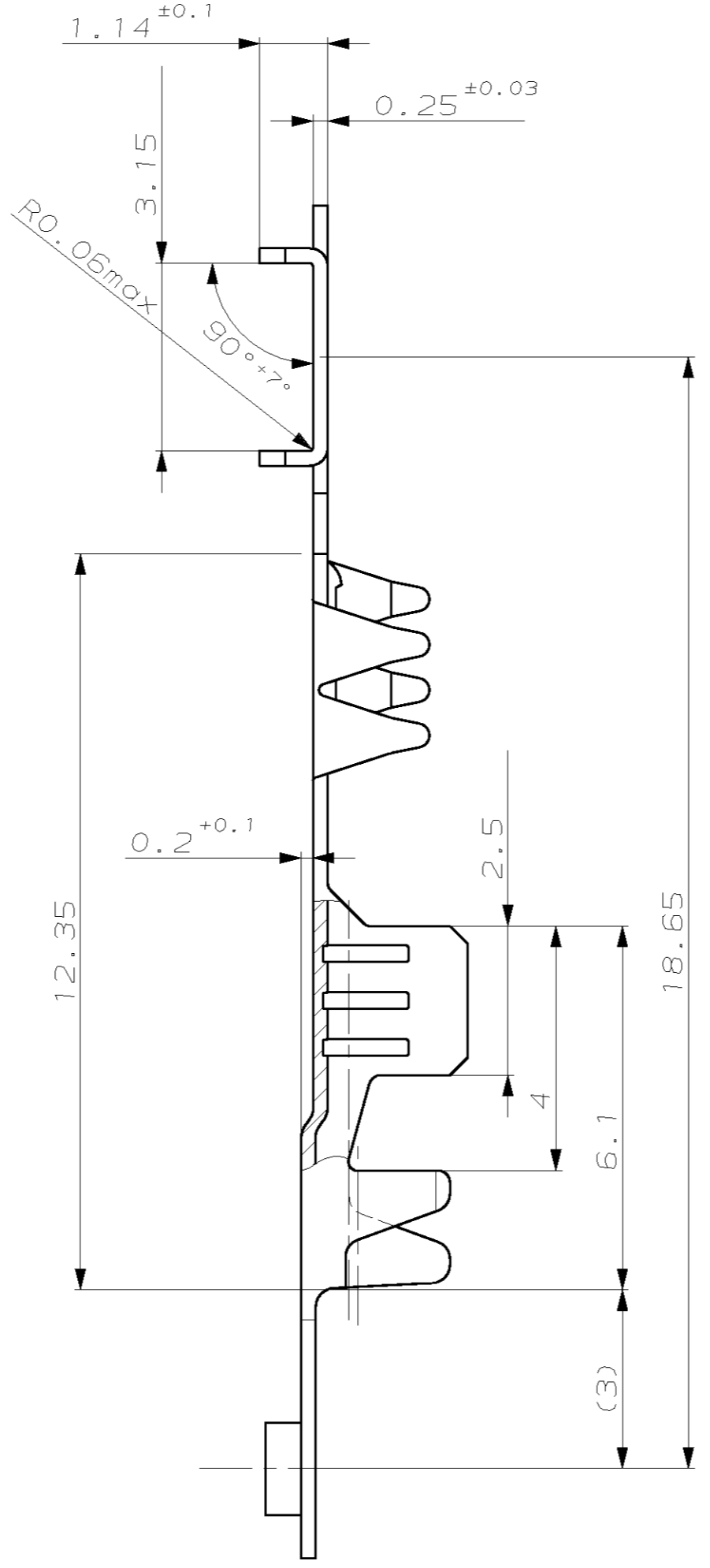
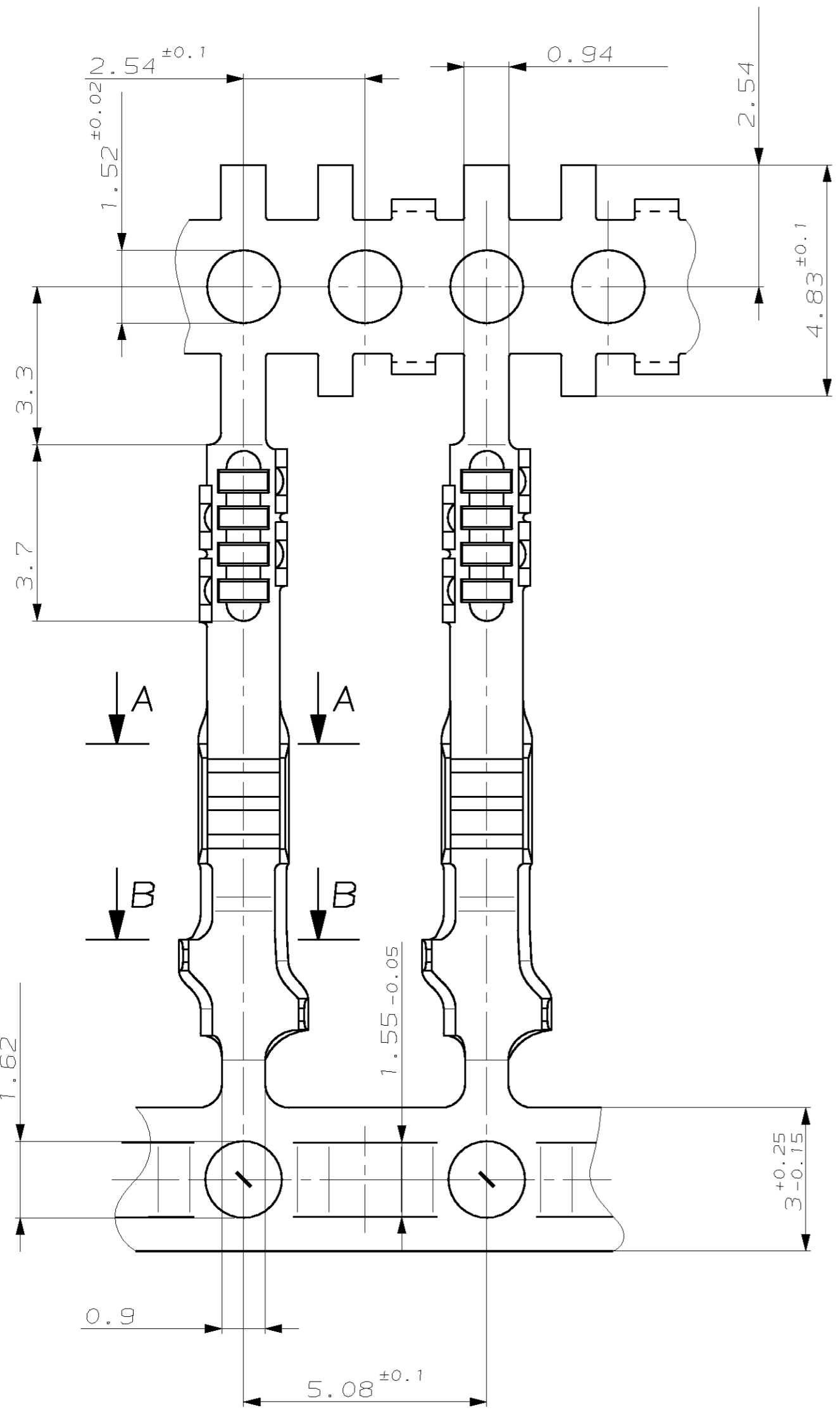


THIS DRAWING IS UNPUBLISHED.
 VERTRAULICHE UNVERÖFFENTLICHTE ZEICHNUNG
 (C) COPYRIGHT 1998 BY AMP INCORPORATED. ALL RIGHTS RESERVED. ALLE RECHTE VORBEHALTEN
 RELEASED FOR PUBLICATION
 FREI FÜR VERÖFFENTLICHUNG
 JUNI, 1998
 MATED WITH:
 PASSEND ZU: -

LOC		DIST		REVISIONS		
P	LTR	DESCRIPTION	DATE	DWN	APVD	
AI -						
PROJEKT NR.: 93-52083		A	PCN NO EG00-617-98-1	03.06.98	Ho.	-
		A1	PCN NO EG00-2207-03	24.06.03	WD	HW

Drahtgrößenbereich 0.2 - 0.5 mm²
 Isolations ø 1.15 - 1.6 mm
 Application-Spec.: 114-16015

Crimphöhen:
 0.20mm² = 0.84mm
 0.25mm² = 0.86mm
 0.35mm² = 0.92mm
 0.50mm² = 1.01mm
 Drahtcrimpbreite: .055F (1.4mm)
 Icocrimpbreite: .080 (2.03mm)



CUSTOMER PART NO	AMP PART NO	REV.	PCS.	MATERIAL	SURFACE COLOR	DESCRIPTION	ITEM NO
-	-	-	-	-	-	-	-
-	-	-	-	-	-	-	-
-	-	-	-	-	-	-	-
-	968616-1	A	-	CuSn4	vorverzinnt	Splice für Draht und FFC	-

<small>THIS DRAWING IS A CONTROLLED DOCUMENT FOR AMP INCORPORATED. IT IS SUBJECT TO CHANGE AND THE CONTROLLING ENGINEERING ORGANIZATION SHOULD BE CONTACTED FOR THE LATEST REVISION. DIESSES ZEICHNUNGSÄNDERUNG WIRD DURCH AMP INCORPORATED KONTROLLIERT. ÄNDERUNGEN, DIE DEN TECHNISCHEN FORTSCHRITT DIENTEN, SIND VORBEHALTEN. DEN JEBELIS LETZTSTUELIGEN AENDERUNGSSTAND ERFAHREN SIE AUF ANFRAGE.</small> DIMENSIONEN: mm OTHERWISE SPECIFIED: ±0.15MM TOLERANCES UNLESS OTHERWISE SPECIFIED: ±1% ANGLES/WINKEL: ±1° FINISH/OBERFLAECHE/FARBE: vorverzinnt		DWN V. Holzmann 03-JUN-98 CHK M. Schwäger 03-JUN-98 APVD - PRODUCT SPEC - APPLICATION SPEC - VERARBEITUNGSSPEZ. - WEGT - GEWICHT -	AMP AMP Deutschland GmbH D - 63225 Langen Splice für Draht und FFC SIZE A2 CAGE CODE 00779 DRAWING NO. ZEICHNUNGS-NR. C-968616 RESTRICTED TO NUR FUER - CUSTOMER DRAWING /KUNDENZEICHNUNG MASSSTAB 10:1 BLATT 1 OF 1 REV A1
-------------------------------------------------------------------------------------------------------------------------------------------------------------------------------------------------------------------------------------------------------------------------------------------------------------------------------------------------------------------------------------------------------------------------------------------------------------------------------------------------------------------------------------------------------------------------------	--	---------------------------------------------------------------------------------------------------------------------------------------------------------	------------------------------------------------------------------------------------------------------------------------------------------------------------------------------------------------------------------------------------------------------------------

968616