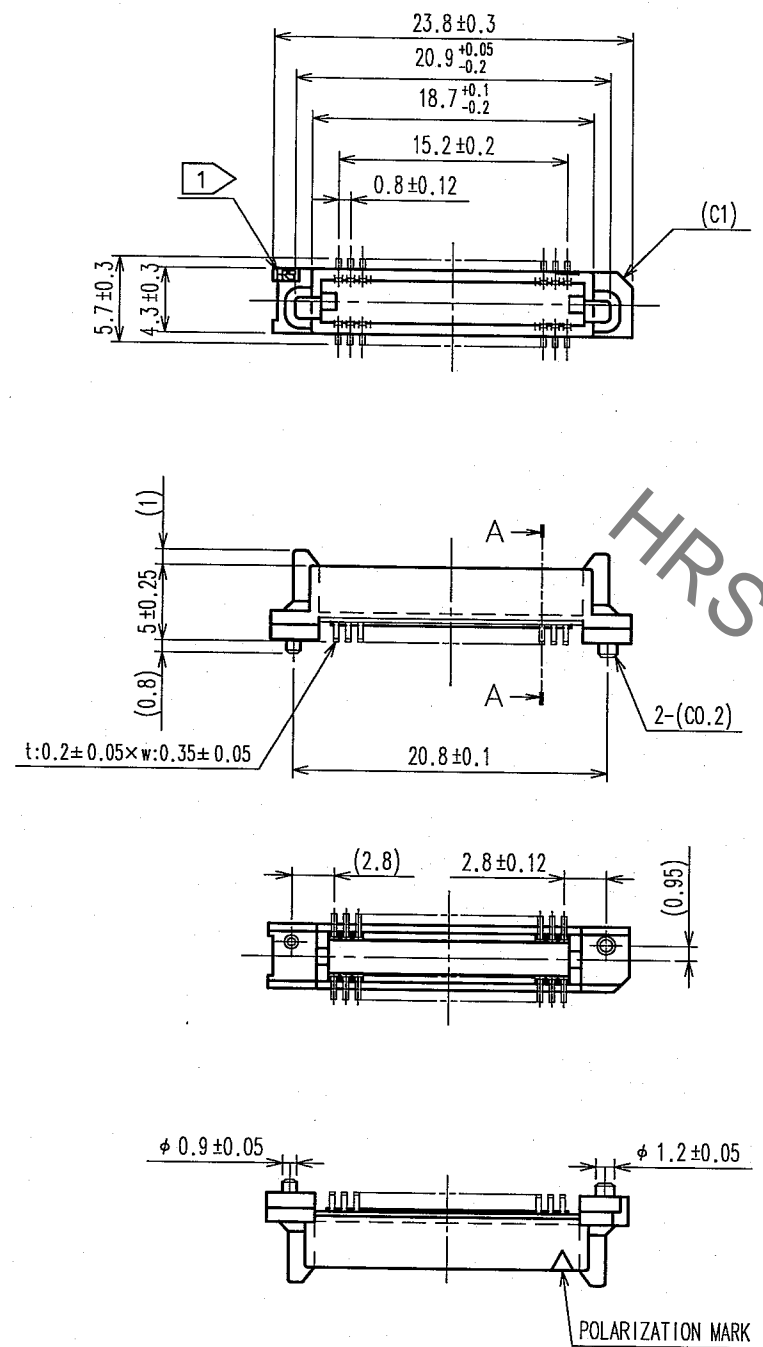
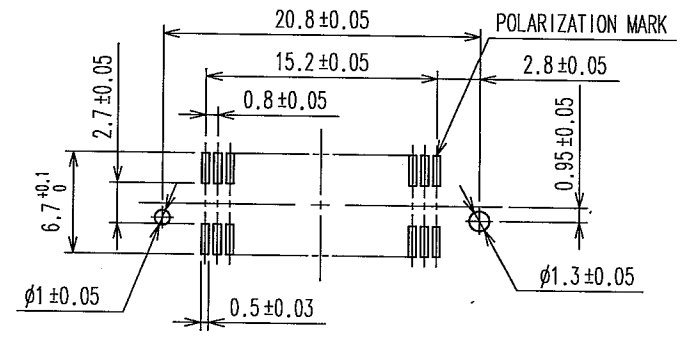


May.1.2023 Copyright 2023 HIROSE ELECTRIC CO., LTD. All Rights Reserved.  
In case of consideration for using Automotive equipment / device which demand high reliability, kindly contact our sales window correspondents.

TO  
PCK

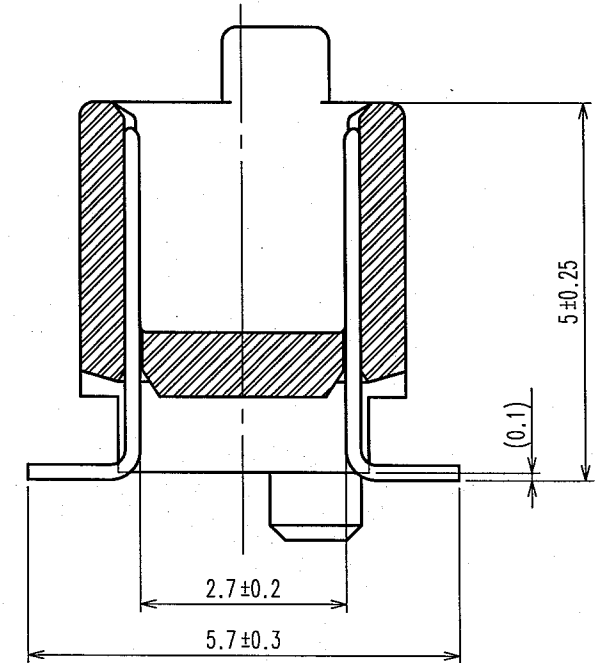


RECOMMENDED LAND PATTERN DIMENSIONS  
(MOUNT SIDE)



COUNT	DESCRIPTION OF REVISIONS	BY	CHKD	DATE	COUNT	DESCRIPTION OF REVISIONS	BY	CHKD	DATE
△				..	△				..
△				..	△				..
△				..	△				..

A-A (10:1)



- NOTE
- 1 HRS MARK SHOULD BE PRINTED. (THE PLACE IS ARBITRARY)
  - 2 LEAD CO-PLANARITY SHALL BE 0.1mm MAX.
  - 3 FOR MODIFICATION, ETC., PREVENTIVE HOLE FOR SINK MARK MAY BE ADDED ACCORDING TO CIRCUMSTANCES.
  - 4 THE DIMENSIONS IN PARENTHESES ARE FOR REFERENCE.

1	POLYPHENYLENE SULFIDE	LIGHT BROWN (UL94V-0)	2	PHOSPHOR BRONZE	CONTACT AREA: GOLD 0.1μm min. LEAD AREA: TIN 1μm min. UNDER PLATING: NICKEL 1μm min.
NO.	MATERIAL	FINISH, REMARKS	NO.	MATERIAL	FINISH, REMARKS
CODE NO. (OLD)			DRAWN	DESIGNED	CHECKED
			Y. AOYAGI	K. Doi	K. Ozuma
			05.08.30	05.09.02	05.09.02
DRAWING NO.			PART NO.		
EDC3-084966-25			FX6-40P-0.8SV1(71)		
SCALE			CODE NO.		
2 : 1			CL576-0023-6-71		
UNITS			1/1		
mm			HRS HIROSE ELECTRIC CO., LTD		

