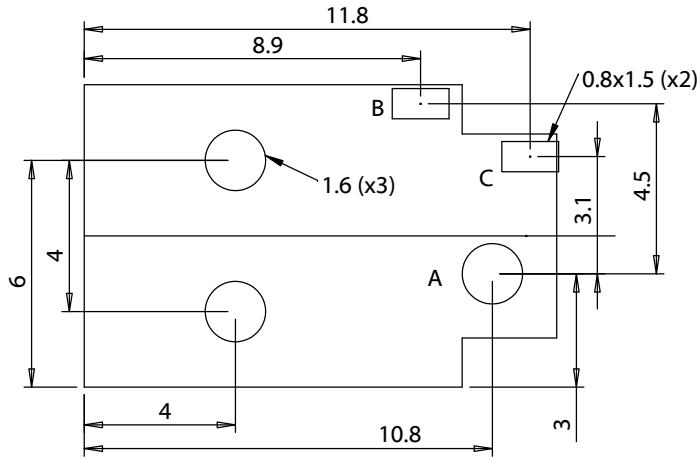
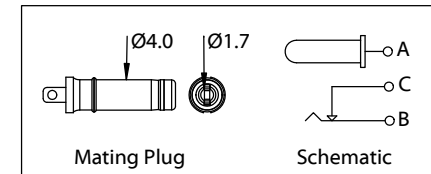
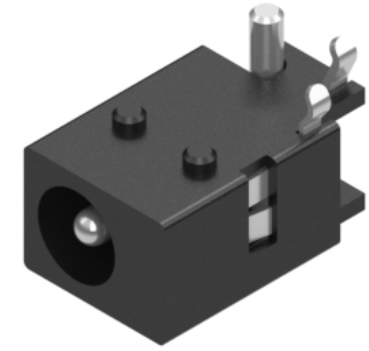


SECTION A-A

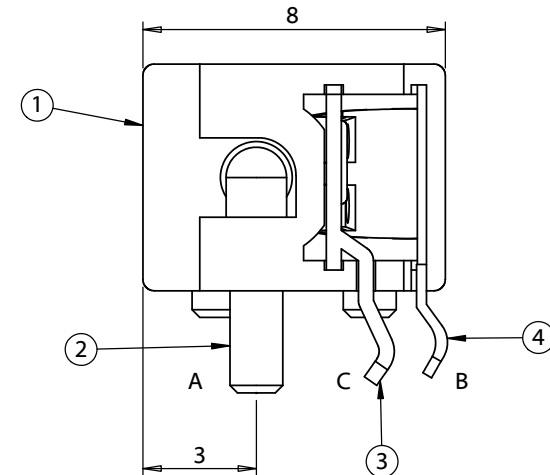
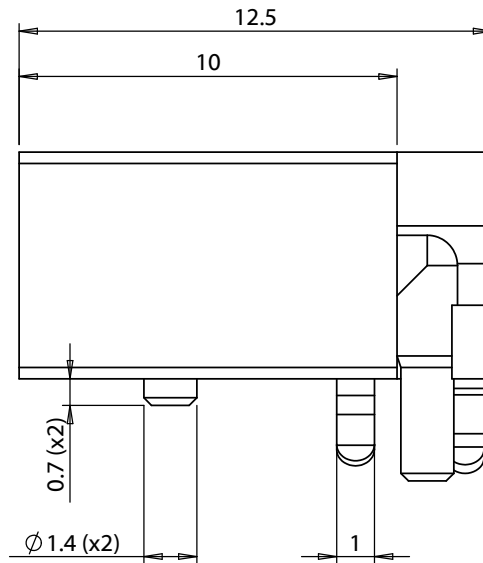
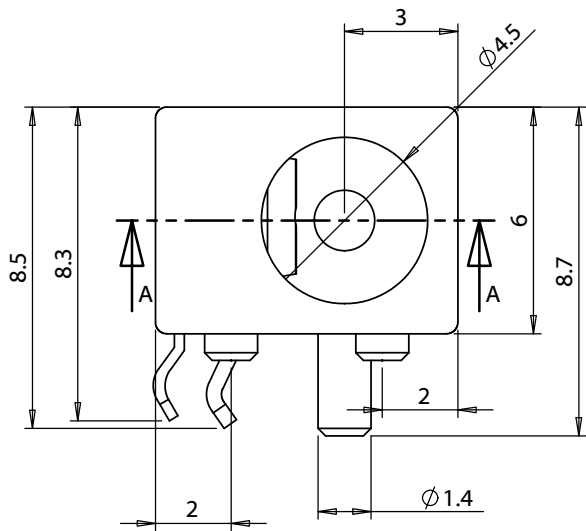


P.C.B. Layout



Mating Plug

Schematic



Revision:	Date:	Description:	Prepared:	Notes:	<h1>TENSILITY</h1>	
A	9/27/2018	Initial release	Verified:			Function test: no open, no short circuit, no intermittent
			Dimensions are in millimeters. Tolerances: < 1.0: ± 0.1 mm 1.0 to 10.0: ± 0.2 mm > 10.0: ± 0.3 mm	Description:	Size: Part number:	
				Connector, dc jack 4.0x1.7 mm, PCB mount, 90°, silver plated, board lock	A 54-00137	
					Scale: 5:1	Sheet 1 of 2

