

THIS DRAWING IS UNPUBLISHED.

RELEASED FOR PUBLICATION

ALL RIGHTS RESERVED.

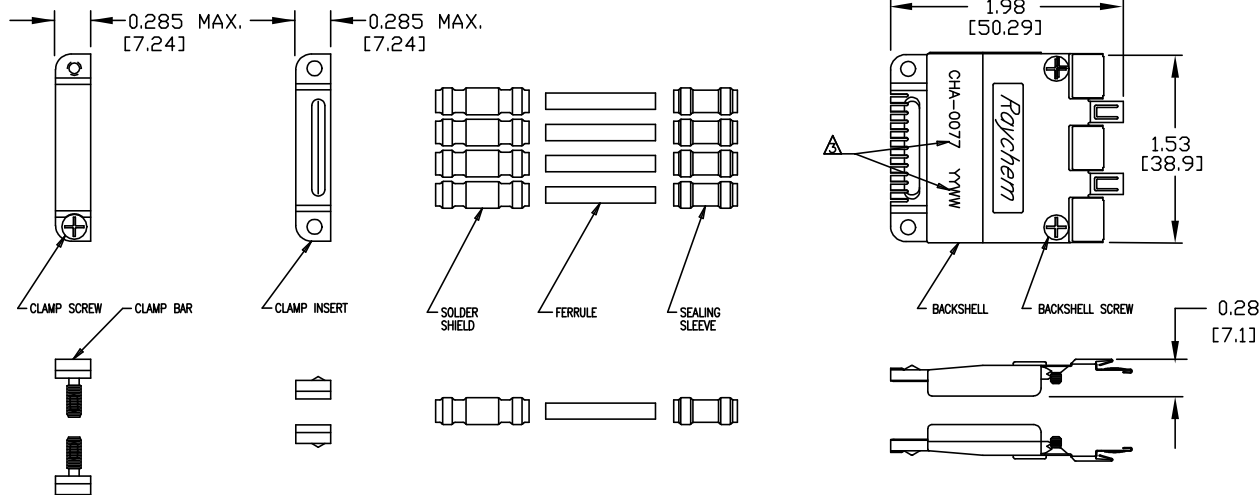
© COPYRIGHT - TE Connectivity Ltd.

REVISIONS

| P | LTR | DESCRIPTION | DATE | DWN | APVD |
|---|-----|-----------------------|---------|-----|------|
| | C1 | REV PER ECO 19-005939 | 5-29-19 | CT | MS |

NOTES:

1. MATERIAL:
 - a. BACKSHELL COPPER ALLOY 172 PER QQ-A-533
 - b. BACKSHELL SCREW STAINLESS STEEL PER QQ-S-763, 300 SERIES
 - c. CLAMP BAR ALUMINUM ALLOY
 - d. CLAMP INSERT ALUMINUM ALLOY
 - e. CLAMP SCREW STAINLESS STEEL PER QQ-S-763, 300 SERIES
 - f. FERRULE COPPER ALLOY 187 ASTM B301/B301M
 - g. SOLDER SHIELD SEE RAYCHEM DRAWING NUMBER CTA-1035
 - h. SEALING SLEEVE SEE RAYCHEM DRAWING NUMBER CTA-1036
2. FINISH:
 - a. BACKSHELL CADMIUM PLATE PER QQ-P-416
 - b. BACKSHELL SCREW CADMIUM PLATE PER QQ-P-416
 - c. CLAMP BAR CADMIUM PLATE PER QQ-P-416
 - d. CLAMP INSERT CADMIUM PLATE PER QQ-P-416
 - e. CLAMP SCREW CADMIUM PLATE PER QQ-P-416
 - f. FERRULE TIN PLATED PER ASTM B545
3. "RAYCHEM", PART NUMBER CHA-0077 AND DATE CODE STAMPED APPROXIMATELY AS SHOWN.
4. PARTS ARE TO BE PACKAGED UN-ASSEMBLED AS SHOWN.
5. THIS ASSEMBLY DESIGN TO USED WITH CHA-0258.
6. WEIGHT: 0.050 lbs MAX [22.5 Gram MAX]



| | | | | |
|--|--|--------------------------------|--|--------------------------|
| THIS DRAWING IS A CONTROLLED DOCUMENT. | | DWN C.C.THOMAS 29MAY2019 | TE Connectivity | |
| | | CHK M.A.SOLIS 5-29-19 | | |
| DIMENSIONS: INCHES | | APVD M.A.SOLIS 5-29-19 | NAME BACKSHELL ASSY, PLUG, 1 INCH, CAD PLATED, DATA-BUS, MTCR SERIES | |
| TOLERANCES UNLESS OTHERWISE SPECIFIED: 0 PLC ± - 1 PLC ± - 2 PLC ± .02 [.5] 3 PLC ± - 4 PLC ± - ANGLES ± - | | PRODUCT SPEC - | RESTRICTED TO - | |
| MATERIAL - | | FINISH - | APPLICATION SPEC - | SIZE A3 |
| | | WEIGHT 0 | CAGE CODE 06090 | DRAWING NO G=CHA-0077 |
| CUSTOMER DRAWING | | | SCALE NTS | SHEET 1 of 1 |
| | | | REV C1 | |