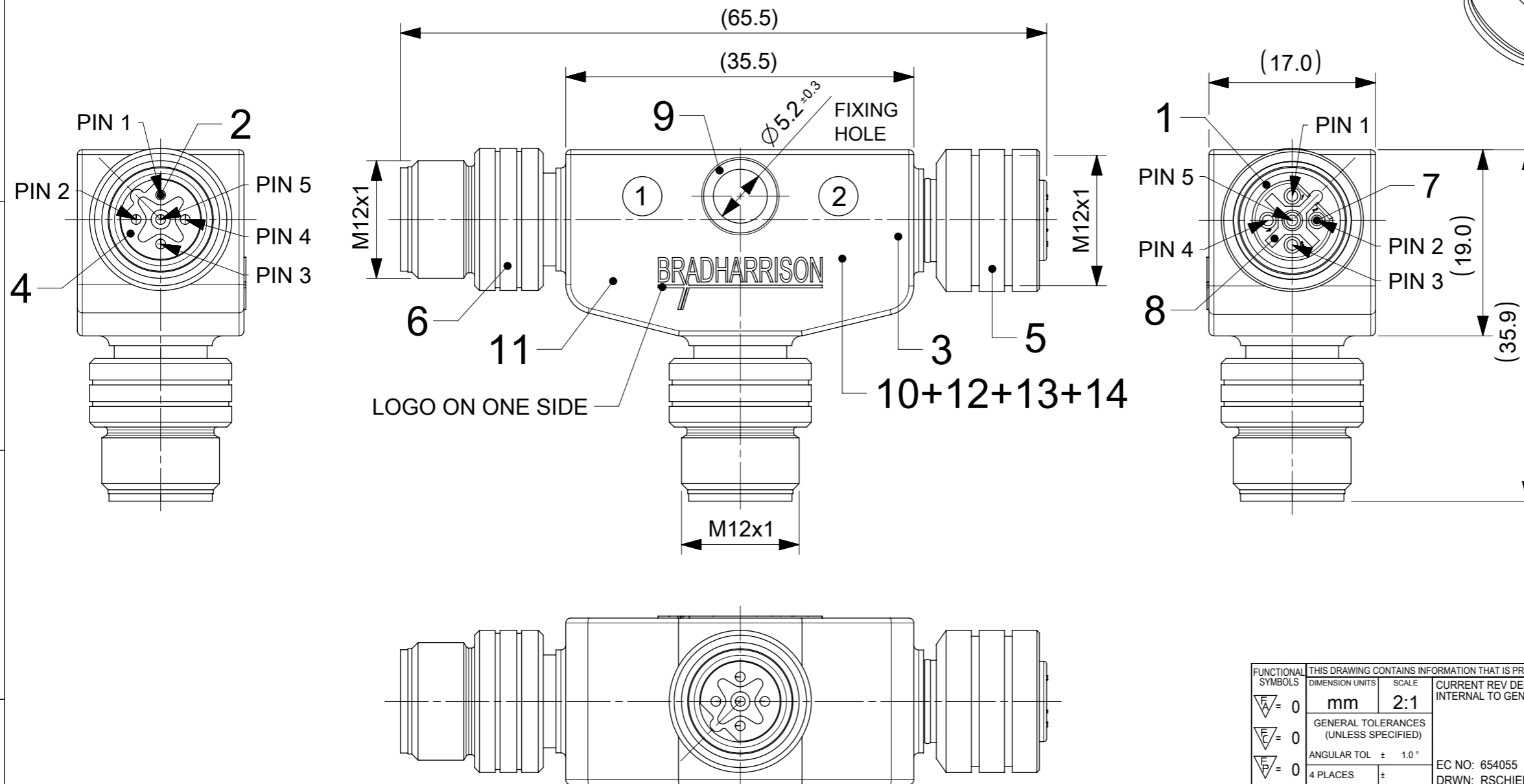
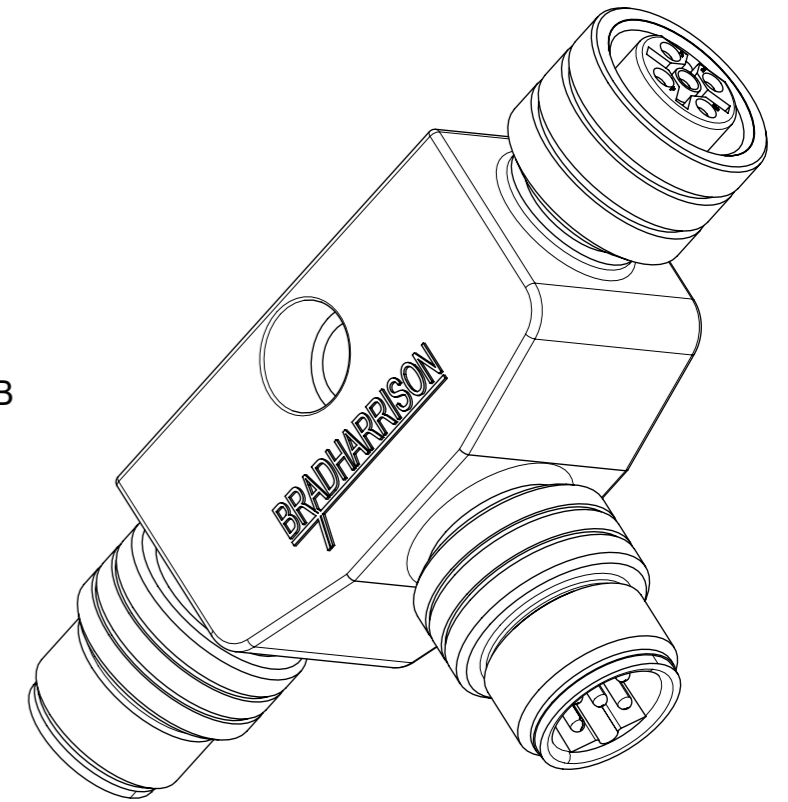
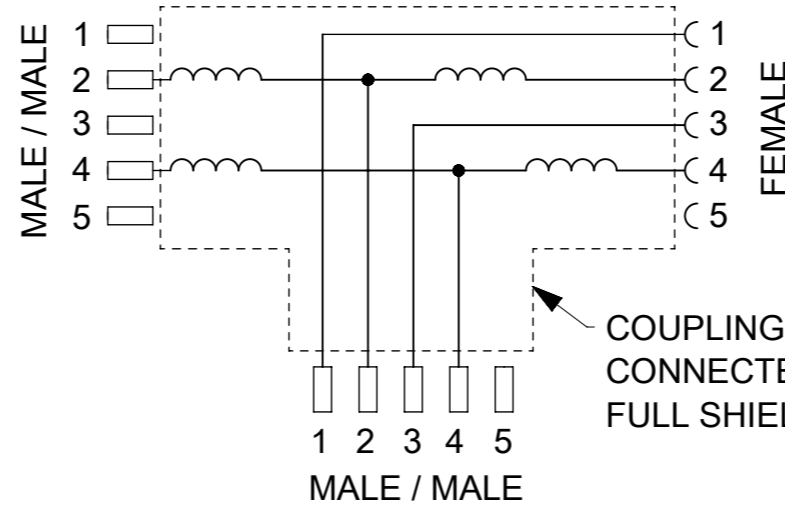


PRODUCT SPECIFICATION:

VOLTAGE RATING: 30 VAC / 36 VDC
 AMPERAGE RATING: 4 AMPS
 PROTECTION: IP68 (IEC 605290)
 OPERATING TEMPERATURE: -25°C TO +80°C

WIRING DIAGRAM

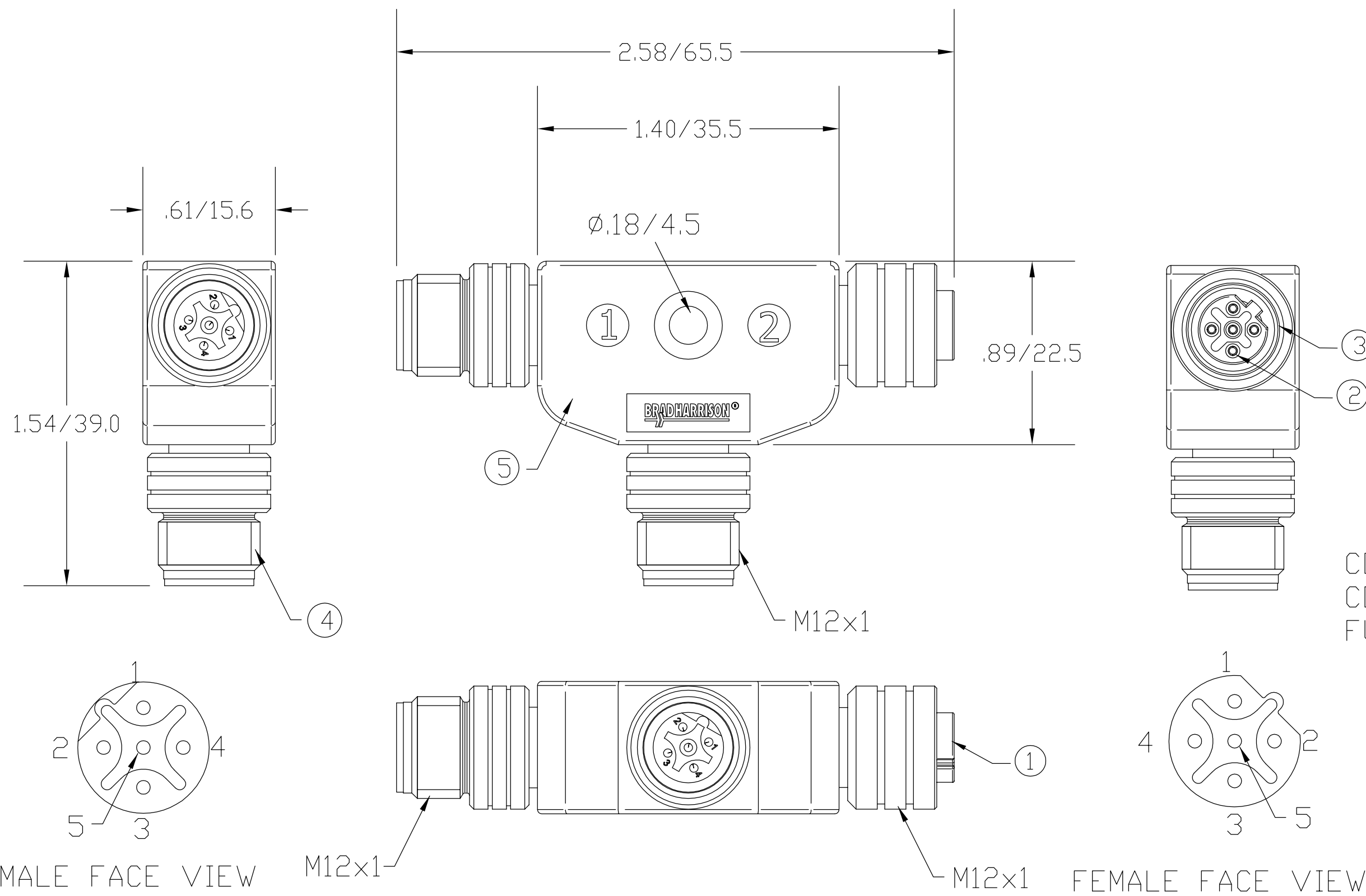
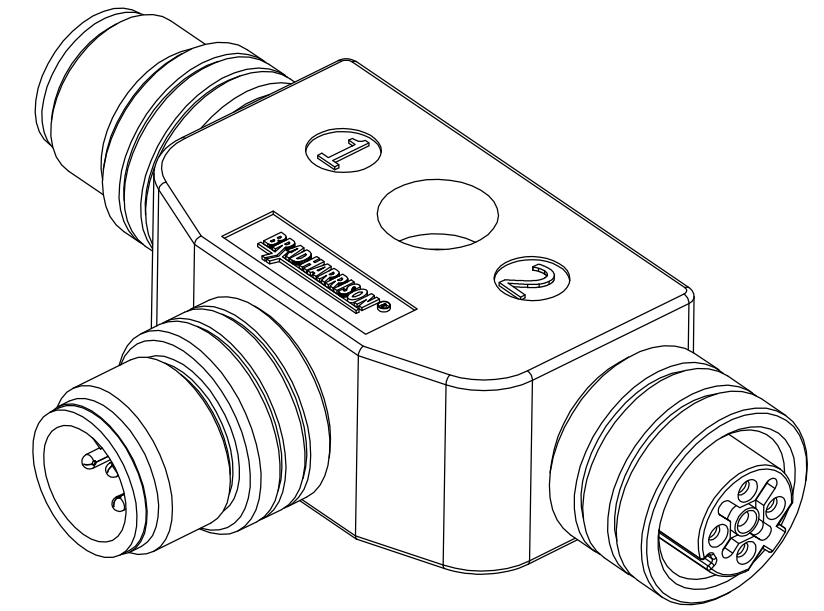


BOM		
ITEM	QTY	DESCRIPTION
14	-	TAPE;0.32x15MM;TRANSP;PET;DOUBLE-SIDE
13	1	M12 MALE PCB SHIELD SLEEVE
12	1	M12 FEMALE PCB SHIELD SLEEVE
11	1	OVERMOLD TPU YELLOW
10	1	PCB;PROFIBUS-TEE
9	1	SPACER PROFI-BUS TEE SPLITTER
8	1	INSERT M12 FE 5P BC CSE PUR BK SH
7	5	M12-FE-CONTACT-PCB PROFI TEE
6	2	M12 MALE COUP NUT(SHIELD)
5	1	NUT M12 BRA FE KNU NI
4	2	MODIFIED 5P-MM-AC(E)-INSERT-SH
3	1	SPACER PROFI-BUS TEE SPLITTER
2	10	M8-M-ROLLED STRIP FORM CONTACT
1	1	GASKET OR FPM 7.1X1.35 RD 60 M12

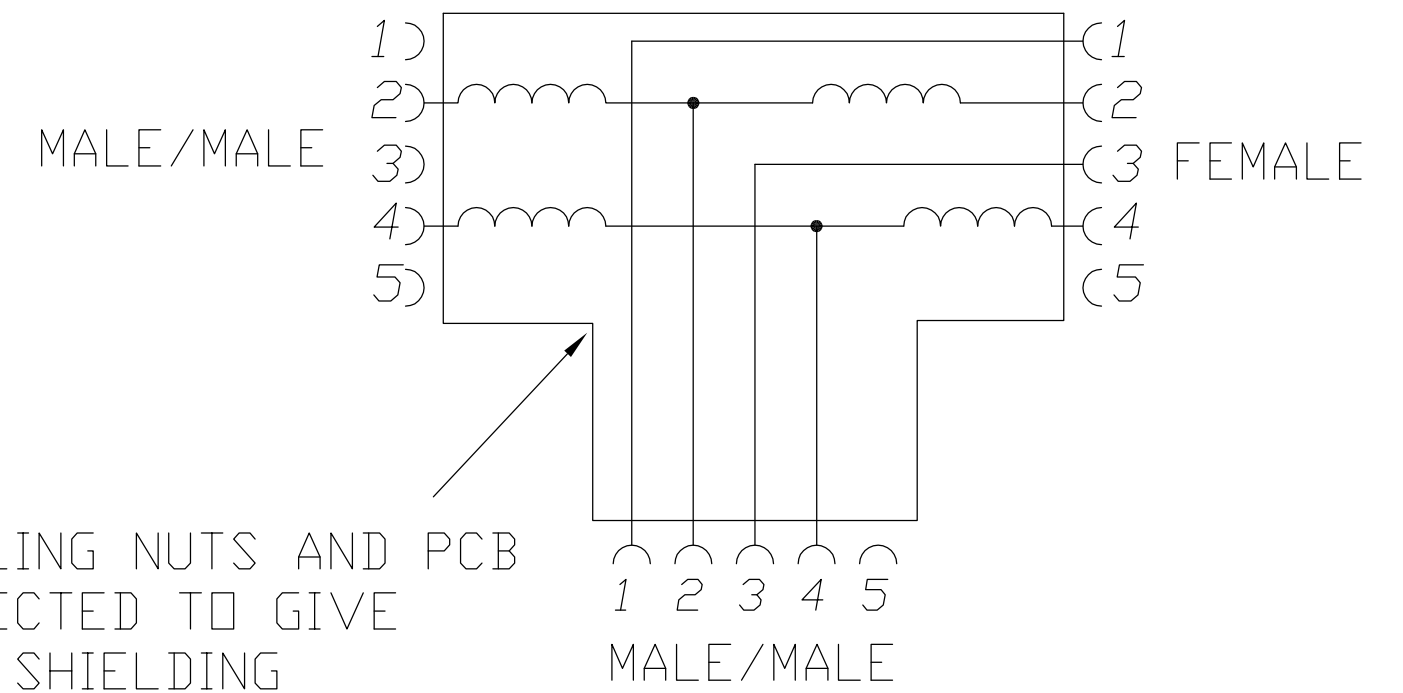
PART LIST	
MOLEX PN	ENGINEERING NO.
1201010002	PDTS01

FUNCTIONAL SYMBOLS $\nabla_A = 0$ $\nabla_E = 0$ $\nabla_V = 0$	DIMENSION UNITS: mm SCALE: 2:1 GENERAL TOLERANCES (UNLESS SPECIFIED): ANGULAR TOL: ± 1.0° 4 PLACES ± 3 PLACES ± 2 PLACES ± 0.05 1 PLACE ± 0.3 0 PLACES ± 0.5	DIVISIONAL SYMBOLS EC NO: 654055 DRWN: RSCHIEBER CHK'D: RSILLER APPR: RSILLER INITIAL REVISION: DRWN: RSCHIEBER APPR: RSILLER	THIS DRAWING CONTAINS INFORMATION THAT IS PROPRIETARY TO MOLEX ELECTRONIC TECHNOLOGIES, LLC AND SHOULD NOT BE USED WITHOUT WRITTEN PERMISSION CURRENT REV DESC: CHANGED FROM MOLEX INTERNAL TO GENERAL MARKET EC NO: 654055 DRWN: RSCHIEBER CHK'D: RSILLER APPR: RSILLER INITIAL REVISION: DRWN: RSCHIEBER APPR: RSILLER
	DRAFT WHERE APPLICABLE MUST REMAIN WITHIN DIMENSIONS THIRD ANGLE PROJECTION		DRAWING: A3-SIZE SERIES: 120101 MATERIAL NUMBER: 1201010002 CUSTOMER: GENERAL MARKET
	MOLEX MIC 5P MM/FE TEE DATA PBUS PRODUCT CUSTOMER DRAWING		DOCUMENT NUMBER: 1201010002 DOC TYPE: PSD DOC PART: 000 REVISION: A1
	SHEET NUMBER: 1 OF 1		DATE: 2021/01/27 TIME: 15:45:51

MATERIAL NUMBER	OLD PART NUMBER
120101-0002	PDTS01



WIRING DIAGRAM



VOLTAGE RATING	30 VAC/ 30 VDC
AMPERAGE RATING	4 AMPS
PROTECTION	IP67
OPERATING TEMPERATURE	-20°C TO 80°C

ITEM	COMPONENT	MATERIAL	FINISH
1	INSERT	NYLON 6/6	BLACK
2	CONTACTS	COPPER ALLOY	GOLD OVER NICKEL
3	O-RING	VITON	RED
4	COUPLING NUT	BRASS	NICKEL PLATED
5	OVERMOLD	POLYURETHANE	YELLOW

RLSO DRAWING EC NO: WNA2009-0614 DRWN: BWOODMAN 3/20/09 CH'KD: JM APPR: JFMURPHY 2009/04/01	DESCRIPTION REV A	QUALITY SYMBOL $\nabla=0$ $\sphericalangle=0$	GENERAL TOLERANCES (UNLESS SPECIFIED)	DIMENSION STYLE IN/MM	SCALE ---	DESIGN UNITS ---	THIRD ANGLE PROJECTION
		4 PLACES \pm --- 3 PLACES \pm --- 2 PLACES \pm --- 1 PLACE ± 0.3	mm INCH \pm --- \pm --- \pm --- \pm --- \pm --- ± 0.1 \pm --- \pm ---	DRAWN BY DATE BW 2009/03/20 CHECKED BY DATE VO 2009/03/20 APPROVED BY DATE ---	TITLE M12 PROFIBUS TEE SHIELDED		
		DRAFT WHERE APPLICABLE MUST REMAIN WITHIN DIMENSIONS	SEE CHART	MOLEX INCORPORATED			
		SIZE C	MATERIAL NO. THIS DRAWING CONTAINS INFORMATION THAT IS PROPRIETARY TO MOLEX INCORPORATED AND SHOULD NOT BE USED WITHOUT WRITTEN PERMISSION	DOCUMENT NO. SHEET NO. SD-120101-001 1 OF 1			