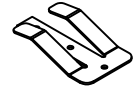
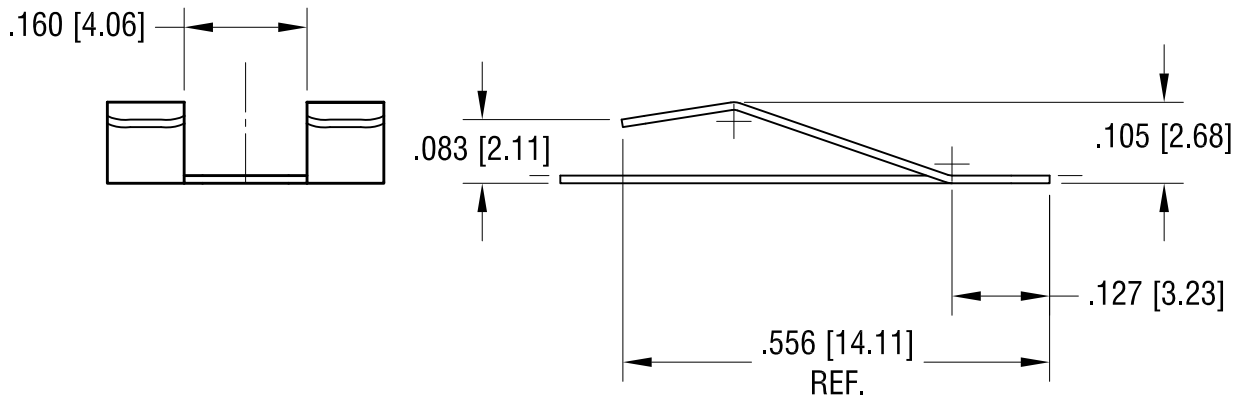
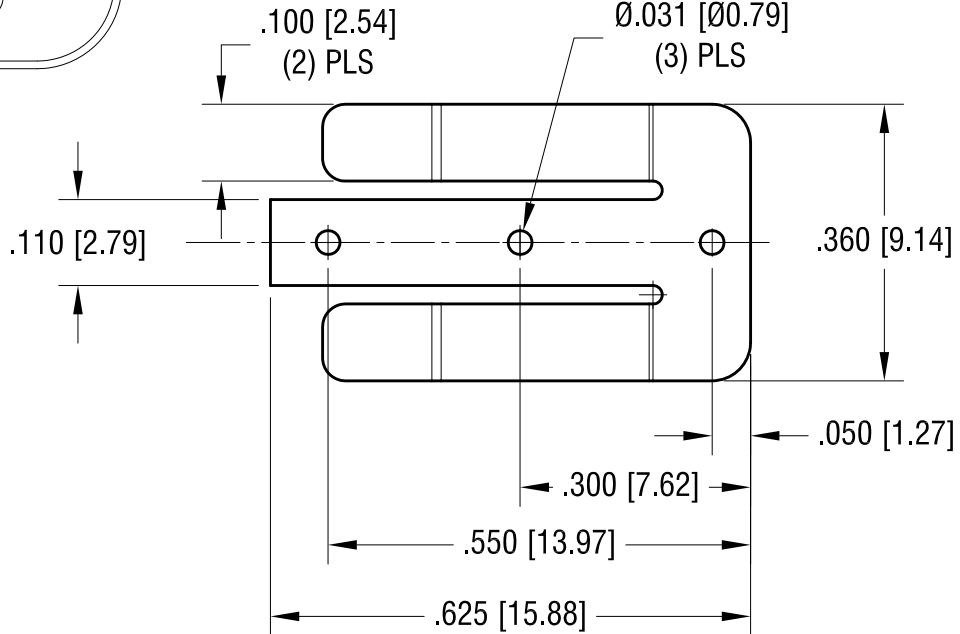
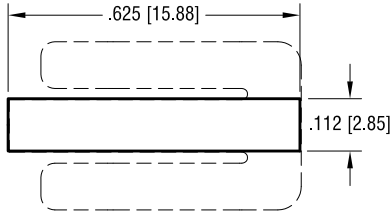


THIS DOCUMENT IS THE PROPERTY OF  
KEYSTONE ELECTRONICS CORP. AND  
SHALL NOT BE REPRODUCED, DISTRIBUTED  
OR USED AS A BASIS FOR MANUFACTURE  
WITHOUT PRIOR WRITTEN PERMISSION  
FROM KEYSTONE ELECTRONICS CORP.

ACTUAL SIZE



MTG DETAL



**KEYSTONE ELECTRONICS CORP.**

www.keyelco.com • NEW HYDE PARK, NY 11040 • Tel (516) 328-7500

PART NAME

**BATTERY CONTACT**

MATERIAL

**.010 [0.25] TH'K PHOSPHOR BRONZE**

FINISH

**MATTE TIN PLATE**

DRN BY

**NT**

DATE

**11.02.09**

APP'D

**RH**

SCALE

**4X**

TOLERANCES

INCH [MM]

DECIMAL  $\pm .005$  [ $\pm 0.13$ ]

ANGULAR  $\pm 1^\circ$   
UNLESS OTHERWISE SPECIFIED

CODE

**C**

DWG NO.

**2983**

DATE

DESCRIPTION

REV.