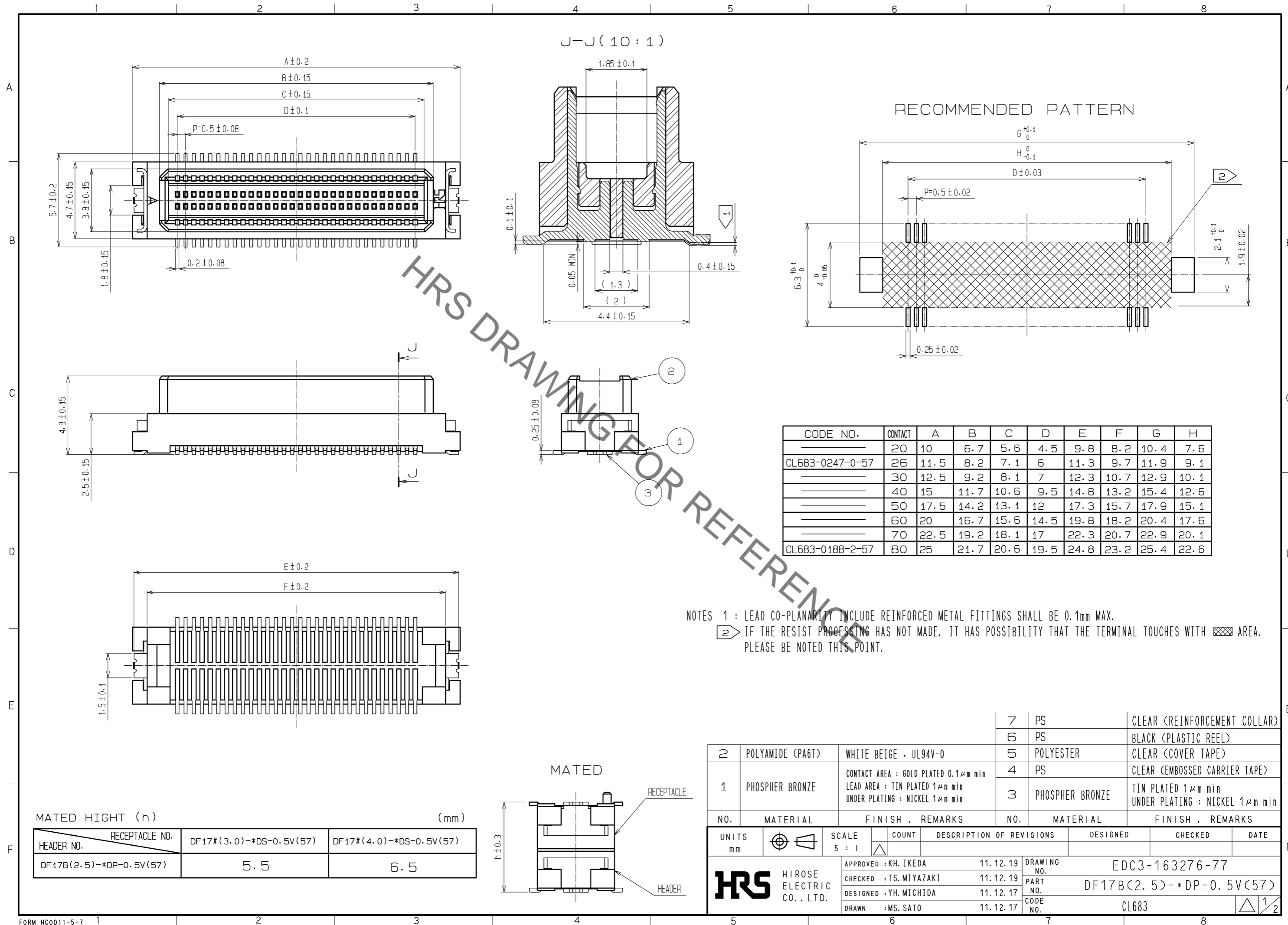


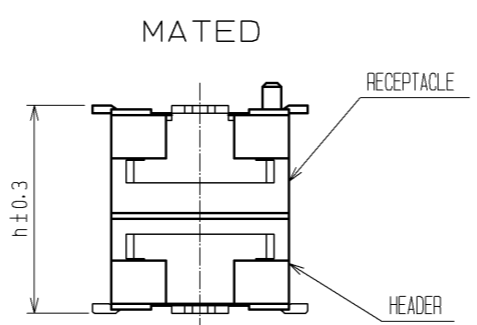
May.1.2023 Copyright 2023 HIROSE ELECTRIC CO., LTD. All Rights Reserved.
 In case of consideration for using Automotive equipment / device which demand high reliability, kindly contact our sales window correspondents.



CODE NO.	CONTACT	A	B	C	D	E	F	G	H
CL683-0247-0-57	20	10	6.7	5.6	4.5	9.8	8.2	10.4	7.6
—	26	11.5	8.2	7.1	6	11.3	9.7	11.9	9.1
—	30	12.5	9.2	8.1	7	12.3	10.7	12.9	10.1
—	40	15	11.7	10.6	9.5	14.8	13.2	15.4	12.6
—	50	17.5	14.2	13.1	12	17.3	15.7	17.9	15.1
—	60	20	16.7	15.6	14.5	19.8	18.2	20.4	17.6
—	70	22.5	19.2	18.1	17	22.3	20.7	22.9	20.1
CL683-0188-2-57	80	25	21.7	20.6	19.5	24.8	23.2	25.4	22.6

NOTES 1 : LEAD CO-PLANARITY INCLUDE REINFORCED METAL FITTINGS SHALL BE 0.1mm MAX.
 2 IF THE RESIST PROCESSING HAS NOT MADE, IT HAS POSSIBILITY THAT THE TERMINAL TOUCHES WITH AREA. PLEASE BE NOTED THIS POINT.

MATED HIGHT (h)		(mm)	
HEADER NO.	RECEPTACLE NO.	DF17#(3.0)-*DS-0.5V(57)	DF17#(4.0)-*DS-0.5V(57)
DF17B(2.5)-*DP-0.5V(57)		5.5	6.5

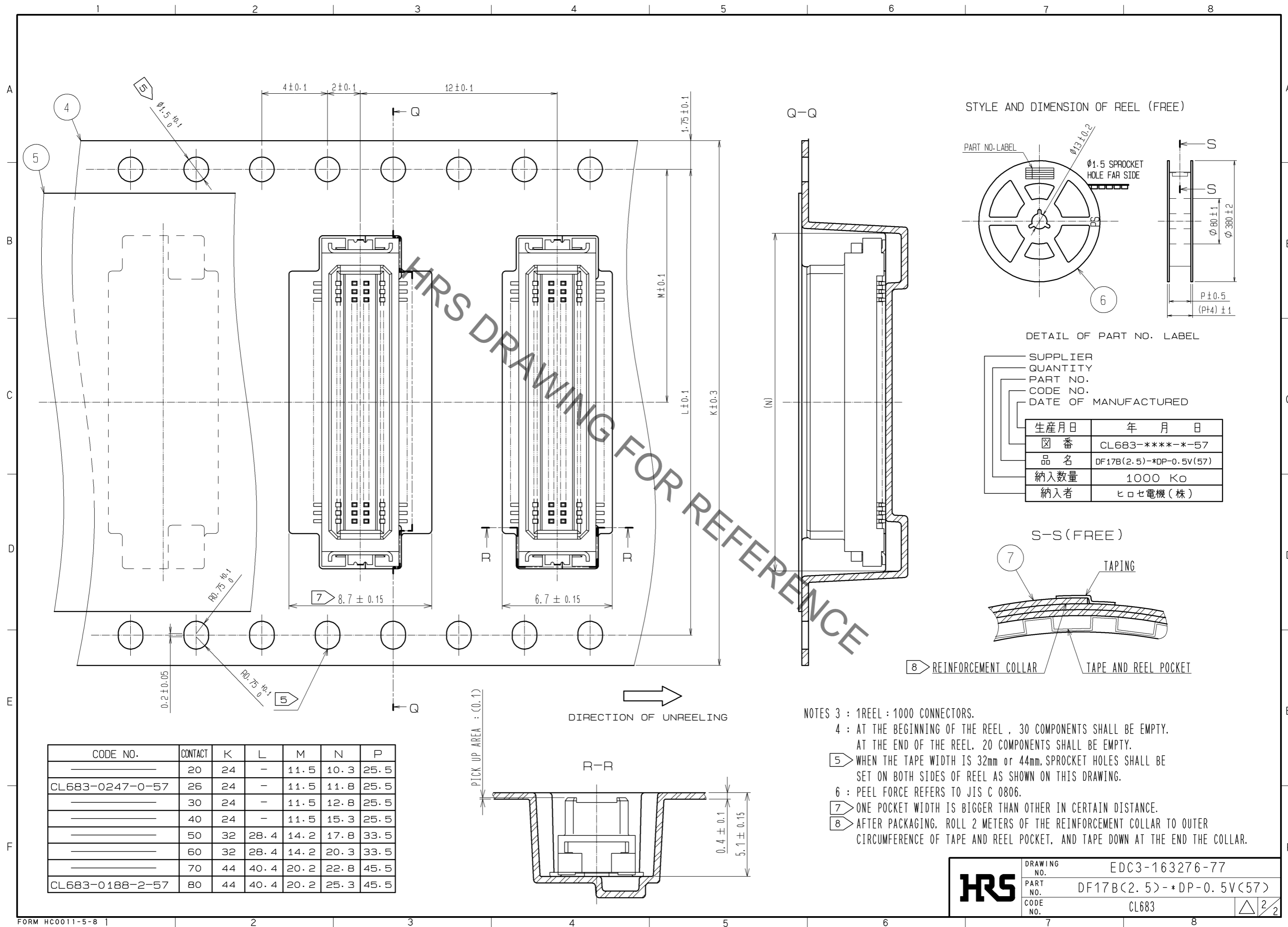


NO.	MATERIAL	FINISH . REMARKS	NO.	MATERIAL	FINISH . REMARKS
2	POLYAMIDE (PA6T)	WHITE BEIGE , UL94V-0	7	PS	CLEAR (REINFORCEMENT COLLAR)
1	PHOSPHER BRONZE	CONTACT AREA : GOLD PLATED 0.1μm min LEAD AREA : TIN PLATED 1μm min UNDER PLATING : NICKEL 1μm min	6	PS	BLACK (PLASTIC REEL)
			5	POLYESTER	CLEAR (COVER TAPE)
			4	PS	CLEAR (EMBOSSED CARRIER TAPE)
			3	PHOSPHER BRONZE	TIN PLATED 1μm min UNDER PLATING : NICKEL 1μm min

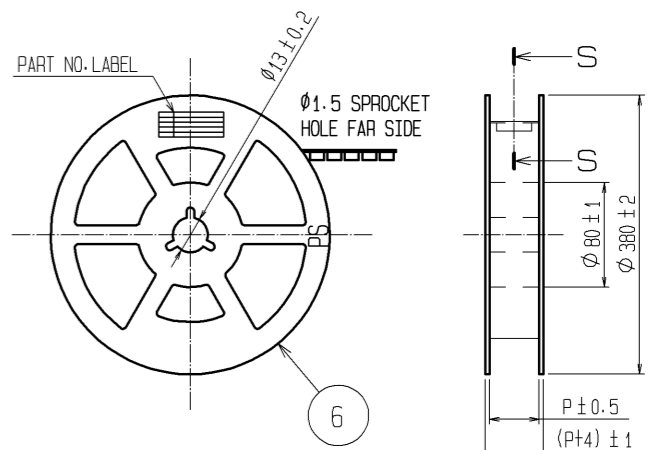
UNITS	SCALE	COUNT	DESCRIPTION OF REVISIONS	DESIGNED	CHECKED	DATE
mm	5 : 1	△	APPROVED : KH. IKEDA 11.12.19			
			CHECKED : TS. MIYAZAKI 11.12.19			
			DESIGNED : YH. MICHIDA 11.12.17			
			DRAWN : MS. SATO 11.12.17			

DRAWING NO.	PART NO.	CODE NO.
EDC3-163276-77	DF17B(2.5)-*DP-0.5V(57)	CL683

May.1.2023 Copyright 2023 HIROSE ELECTRIC CO., LTD. All Rights Reserved.
In case of consideration for using Automotive equipment / device which demand high reliability, kindly contact our sales window correspondents.



STYLE AND DIMENSION OF REEL (FREE)

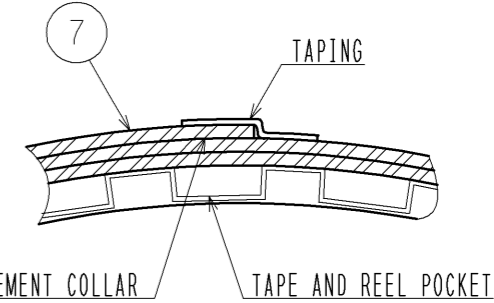


DETAIL OF PART NO. LABEL

SUPPLIER
QUANTITY
PART NO.
CODE NO.
DATE OF MANUFACTURED

生産月日	年 月 日
☑ 番	CL683-****-*57
品名	DF17B(2.5)-*DP-0.5V(57)
納入数量	1000 KO
納入者	ヒロセ電機(株)

S-S (FREE)



CODE NO.	CONTACT	K	L	M	N	P
_____	20	24	-	11.5	10.3	25.5
CL683-0247-0-57	26	24	-	11.5	11.8	25.5
_____	30	24	-	11.5	12.8	25.5
_____	40	24	-	11.5	15.3	25.5
_____	50	32	28.4	14.2	17.8	33.5
_____	60	32	28.4	14.2	20.3	33.5
_____	70	44	40.4	20.2	22.8	45.5
CL683-0188-2-57	80	44	40.4	20.2	25.3	45.5

- NOTES 3 : 1REEL : 1000 CONNECTORS.
4 : AT THE BEGINNING OF THE REEL , 30 COMPONENTS SHALL BE EMPTY.
AT THE END OF THE REEL, 20 COMPONENTS SHALL BE EMPTY.
5 WHEN THE TAPE WIDTH IS 32mm or 44mm, SPROCKET HOLES SHALL BE SET ON BOTH SIDES OF REEL AS SHOWN ON THIS DRAWING.
6 : PEEL FORCE REFERS TO JIS C 0806.
7 ONE POCKET WIDTH IS BIGGER THAN OTHER IN CERTAIN DISTANCE.
8 AFTER PACKAGING, ROLL 2 METERS OF THE REINFORCEMENT COLLAR TO OUTER CIRCUMFERENCE OF TAPE AND REEL POCKET, AND TAPE DOWN AT THE END THE COLLAR.

HRS	DRAWING NO.	EDC3-163276-77
	PART NO.	DF17B(2.5)-*DP-0.5V(57)
	CODE NO.	CL683
		△ 2/2