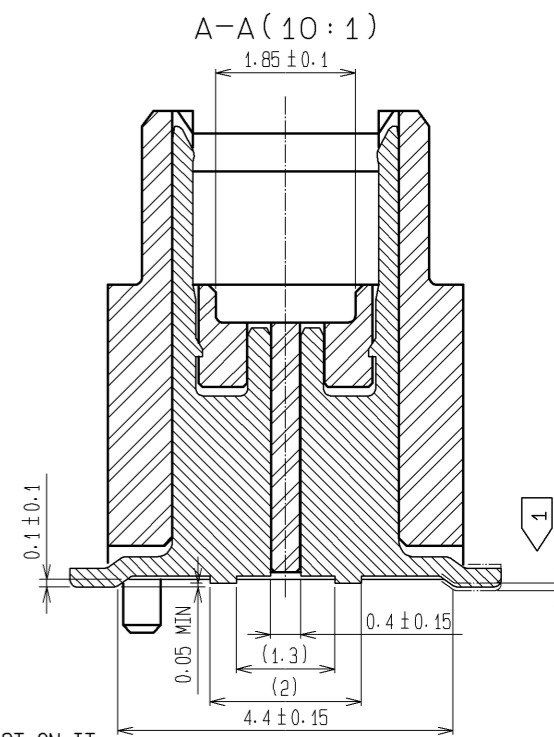
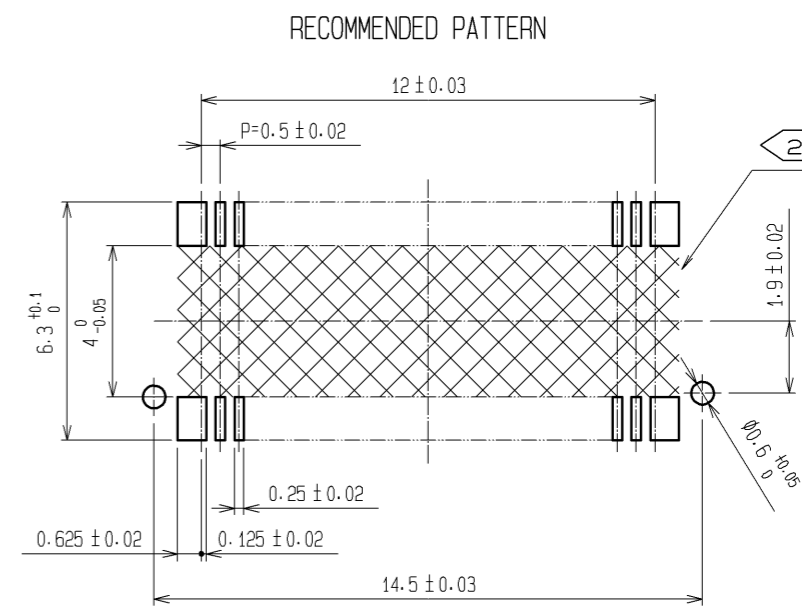
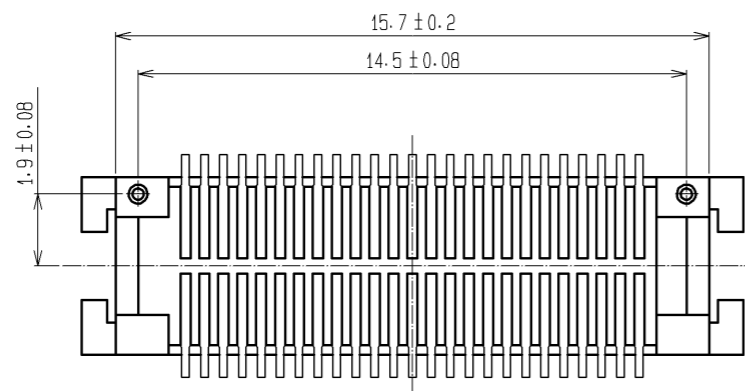
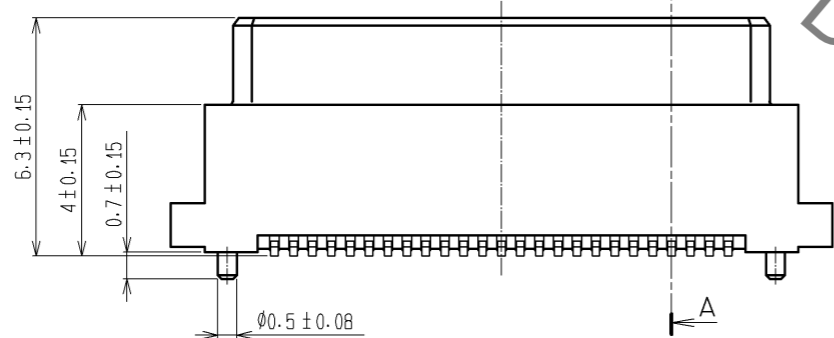
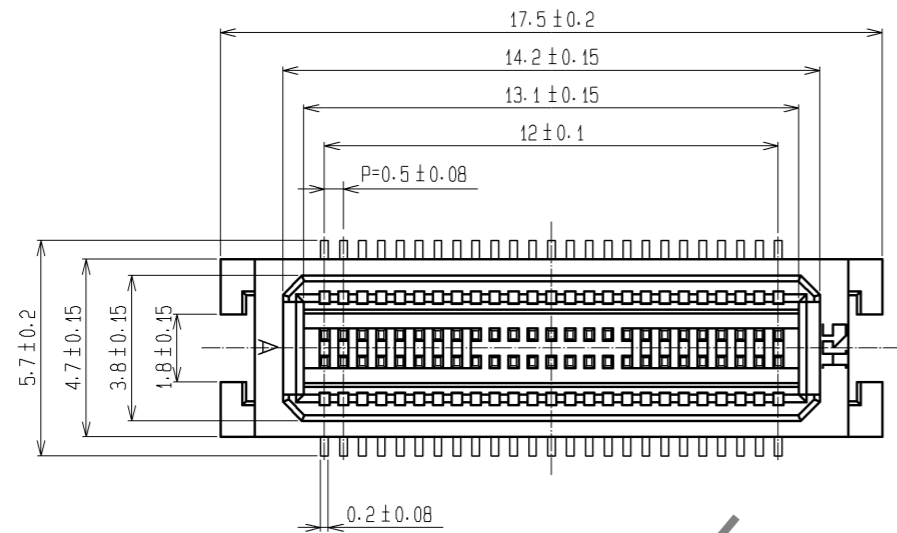


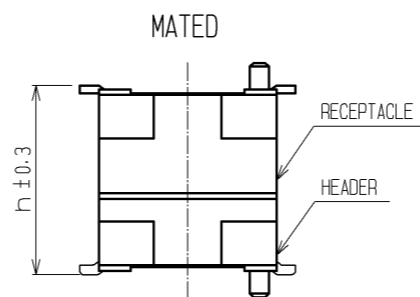
May.1.2023 Copyright 2023 HIROSE ELECTRIC CO., LTD. All Rights Reserved.
In case of consideration for using Automotive equipment / device which demand high reliability, kindly contact our sales window correspondents.



HRS DRAWING FOR REFERENCE

- NOTES
- ① LEAD CO-PLANARITY INCLUDE REINFORCED METAL FITTINGS SHALL BE 0.1 mm MAX.
 - ② WHEN A PART MARKED WITH HAS A PATTERN BUT NO RESIST ON IT. TAKE CARE TO PREVENT THE CONNECTOR FROM TOUCHING IT.

MATED HIGHT (h)		(mm)	
HEADER NO.	RECEPTACLE NO.	7	8
DF17A(4.0)-50DP-0.5V(57)	DF17*(3.0)-50DS-0.5V(57)	DF17*(4.0)-50DS-0.5V(57)	

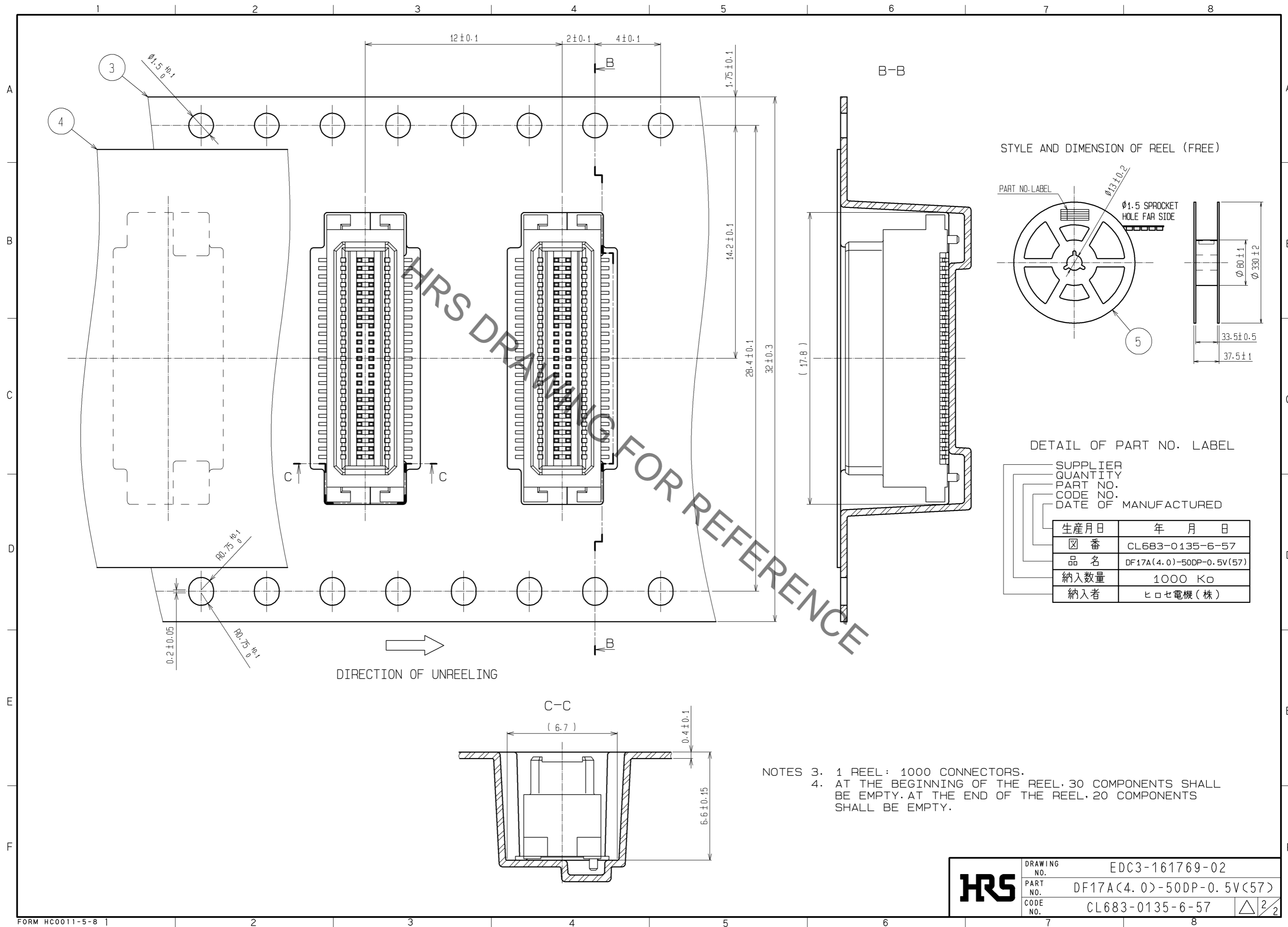


NO.	MATERIAL	FINISH . REMARKS	NO.	MATERIAL	FINISH . REMARKS
1	PHOSPHOR BRONZE	CONTACT AREA:GOLD PLATED 0.1µm min LEAD AREA:TIN PLATED 1µm min UNDER PLATING:NICKEL PLATED 1µm min	5	PS	PLASTIC REEL . BLACK
			4	POLYESTER	CLEAR (COVER TAPE)
			3	A-PET	CLEAR (EMBOSSD CARRIER TAPE)
			2	POLYAMIDE (PA6T)	NATURAL (BEIGE) .UL94V-0

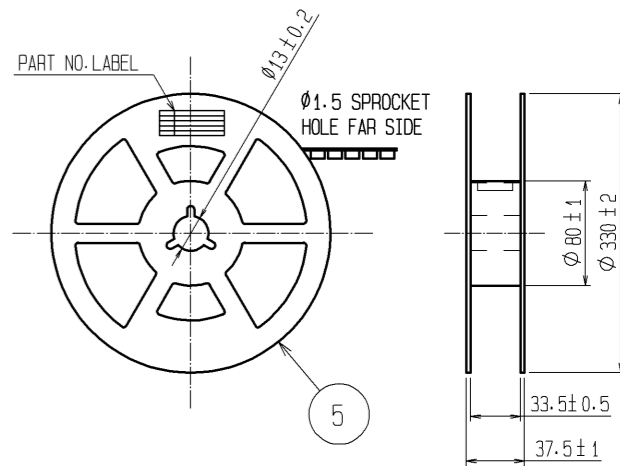
UNITS	SCALE	COUNT	DESCRIPTION OF REVISIONS	DESIGNED	CHECKED	DATE
mm	5 : 1	△	APPROVED : KH. IKEDA 08.09.25			
			CHECED : TS. MIYAZAKI 08.09.25			
			DESIGNED : TY. YAMASAKI 08.09.03			
			DRAWN : TY. YAMASAKI 08.09.03			

DRAWING NO.	PART NO.	CODE NO.
EDC3-161769-02	DF17A(4.0)-50DP-0.5V(57)	CL683-0135-6-57

May.1.2023 Copyright 2023 HIROSE ELECTRIC CO., LTD. All Rights Reserved.
 In case of consideration for using Automotive equipment / device which demand high reliability, kindly contact our sales window correspondents.



STYLE AND DIMENSION OF REEL (FREE)



DETAIL OF PART NO. LABEL

SUPPLIER	
QUANTITY	
PART NO.	
CODE NO.	
DATE OF MANUFACTURED	
生産月日	年 月 日
図番	CL683-0135-6-57
品名	DF17A(4.0)-50DP-0.5V(57)
納入数量	1000 K \square
納入者	ヒロセ電機(株)

- NOTES 3. 1 REEL : 1000 CONNECTORS.
 4. AT THE BEGINNING OF THE REEL, 30 COMPONENTS SHALL BE EMPTY. AT THE END OF THE REEL, 20 COMPONENTS SHALL BE EMPTY.

HRS	DRAWING NO.	EDC3-161769-02
	PART NO.	DF17A(4.0)-50DP-0.5V(57)
	CODE NO.	CL683-0135-6-57
		\triangle 2/2