

EC NO. DRWN: CHK: APPR:	EC NO. DRWN: CHK: APPR:	EC NO. DRWN: CHK: APPR:	EC NO. DRWN: CHK: APPR:
RELEASED EC NO. JD90381 DRWN: THIRATA '98/09/09 CHK: MASAO '98/09/09 APPR: HIKESUGI '98/09/09			
REV 0 INS. RANGE 被覆外径			

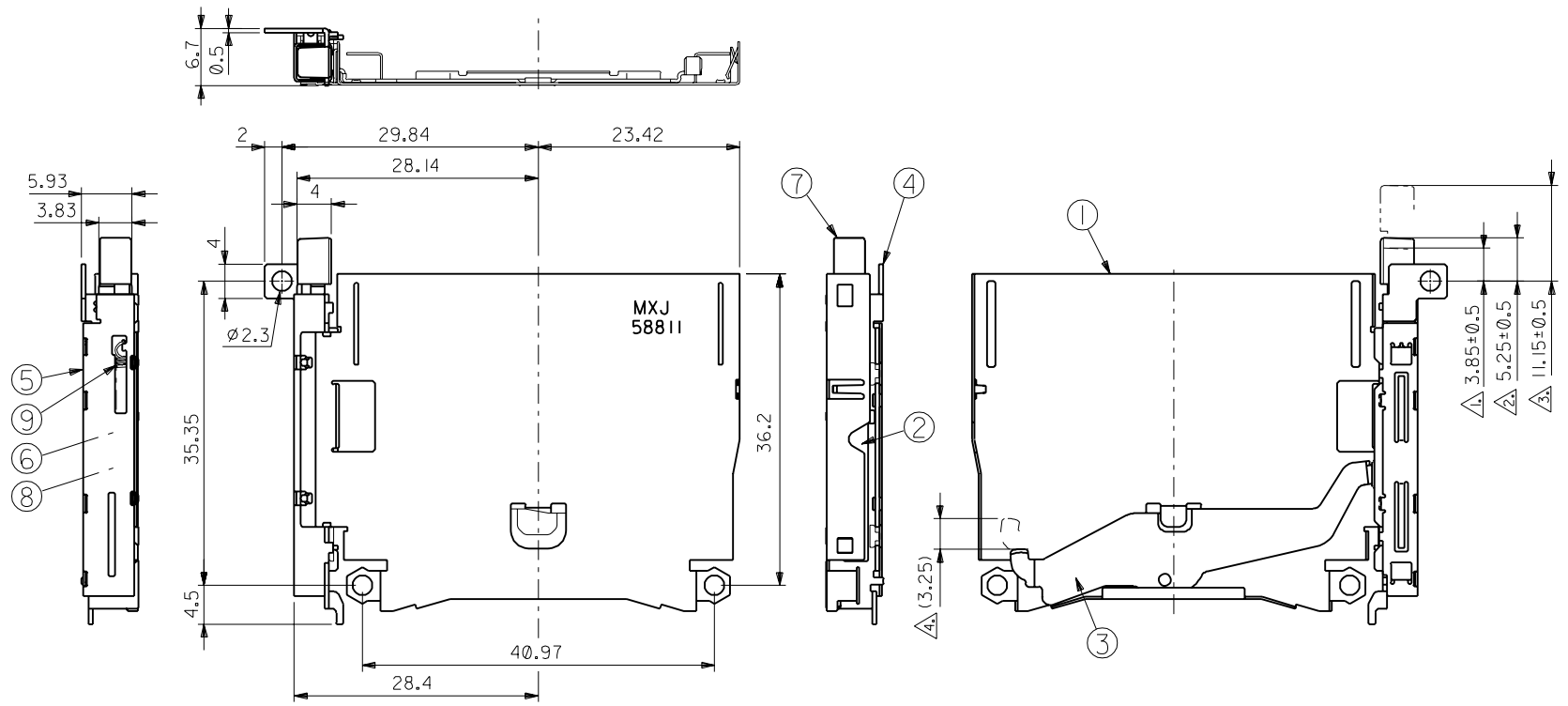
MATERIAL 材料	SEE NOTES
FINISH 仕上り	SEE NOTES
WIRE RANGE 通所用線形目	#
ANGLE 角度	#

GENERAL TOLERANCES: (UNLESS SPECIFIED) 一般公差	SCALE 2 - 1	DESIGN UNITS <input checked="" type="checkbox"/> mm <input type="checkbox"/> INCH	THIRD ANGLE PROJECTION
10 UNDER 未満	+0.2	DRAWN BY & DATE <i>T. Hirata</i> '98/09/09	TITLE: CF CARD CONN. EJECT MECHANISM EJECT ASS'Y
10 OVER 以上	+0.25	CHECKED BY & DATE <i>H. Sano</i> '98/09/09	APPROVED BY & DATE <i>H. Sano</i> '98/09/09
30 OVER 以上	+0.3	APPROVED BY & DATE <i>H. Sano</i> '98/09/09	MATERIAL NO. 55365-0011
ANGLE 角度	+3°	CAD FILENAME 55365002.S01	DRAWING NO. SD-55365-002

DIMENSIONS: <input type="checkbox"/> mm <input type="checkbox"/> INCH <input checked="" type="checkbox"/> mm ONLY		SHT 1	REV
REVISIONS		REVISE ON CAD ONLY	
MATERIAL NO. 55365-0011		DRAWING NO. SD-55365-002	
SHEET NO. 1 OF 2		SIZE B	

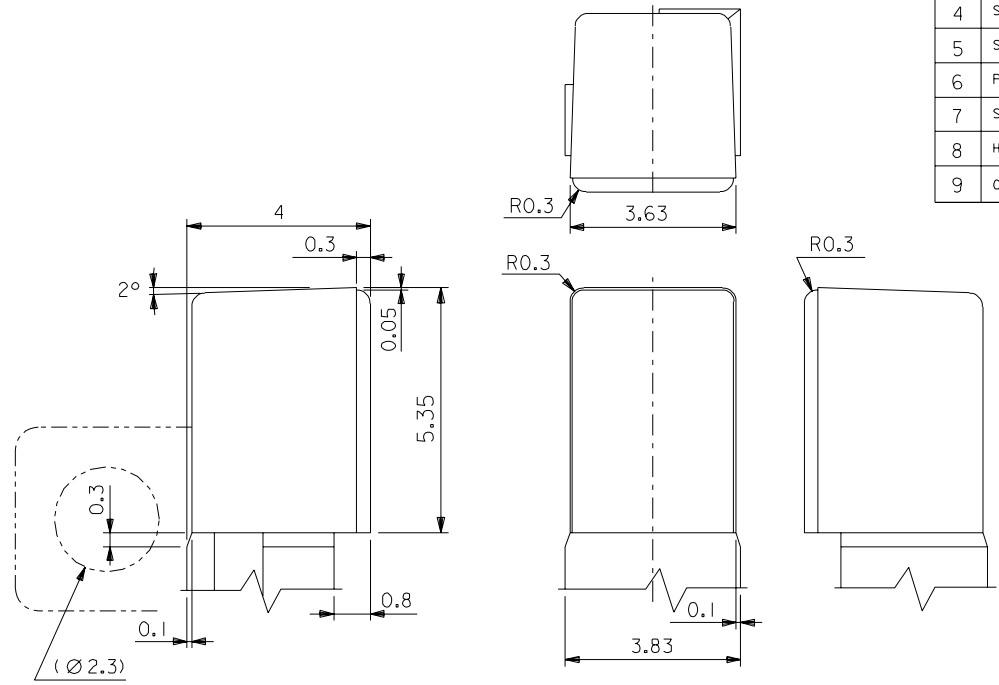
注) NOTES

- △1 ボタン・フルストローク位置。
BUTTON'S FULL STROKE POSITION.
- △2 ボタン収納時位置。
BUTTON'S IN POSITION.
- △3 ボタン突出時位置。
BUTTON'S OUT POSITION.
- △4 イジェクト時、カード飛び出し量は(3.25)mm。
IN EJECTING OPERATION, CARD OUT BY (3.25)mm.



DWG. NO. SD-55365-002

No.	品名 NAME	材料 MATERIAL	仕上り FINISH	個数 PIECE
1	METAL SHELL	ステンレス鋼 t 0.25 STAINLESS STEEL t 0.25	—	1
2	PUSH ROD	ステンレス鋼 t 0.5 STAINLESS STEEL t 0.5	—	1
3	LEVER	ステンレス鋼 t 0.4 STAINLESS STEEL t 0.4	—	1
4	SIDE PLATE	ステンレス鋼 t 0.5 STAINLESS STEEL t 0.5	—	1
5	SIDE COVER	ステンレス鋼 t 0.25 STAINLESS STEEL t 0.25	—	1
6	PIN PLATE	鋼 STEEL	フッ素樹脂コーティング FLUORINE RESIN COATING	1
7	SLIDER	ポリカーボネート UL94V-0 色 :黒色 POLYCARBONATE UL94V-0 COLOR:BLACK	—	1
8	HEART CAM	ポリカーボネート UL94V-0 色 :黒色 POLYCARBONATE UL94V-0 COLOR:BLACK	—	1
9	COIL SPRING	ステンレス鋼 φ 0.22 STAINLESS STEEL φ 0.22	—	1



ボタン詳細寸法
DETAIL OF BUTTON

DO NOT SCALE DRAWING

EC NO. DRWN: CHK: APPR:	EC NO. DRWN: CHK: APPR:	EC NO. DRWN: CHK: APPR:	EC NO. DRWN: CHK: APPR:	EC NO. DRWN: CHK: APPR:	REV 0	DESCRIPTION I OF 2	MATERIAL 材料 SEE NOTES	GENERAL TOLERANCES: (UNLESS SPECIFIED) 一般公差	SCALE 2 - 1	DESIGN UNITS <input checked="" type="checkbox"/> mm <input type="checkbox"/> INCH	THIRD ANGLE PROJECTION	DIMENSIONS: <input type="checkbox"/> mm <input type="checkbox"/> INCH <input checked="" type="checkbox"/> mm ONLY	SHT 2	REV 1
							FINISH 仕上り SEE NOTES	10 UNDER 未満 +0.2	DRAWN BY & DATE T. Kizata '98/09/09	TITLE: CF CARD CONN. EJECT MECHANISM EJECT ASS'Y				
							WIRE RANGE 適用線径範囲	10 OVER 以上 30 UNDER 未満 +0.25	CHECKED BY & DATE H. Saito '98/09/09	APPROVED BY & DATE H. Saito '98/09/09		MATERIAL NO. 55365-0011	DRAWING NO. SD-55365-002	SHEET NO. 2
							INS. RANGE 被覆外径	30 OVER 以上 +0.3	CAD FILENAME 55365002.S02					SIZE B
								ANGLE 角度 +3°	THIS DRAWING CONTAINS INFORMATION THAT IS PROPRIETARY TO MOLEX INCORPORATED AND SHOULD NOT BE USED WITHOUT WRITTEN PERMISSION.					

55365002.S02