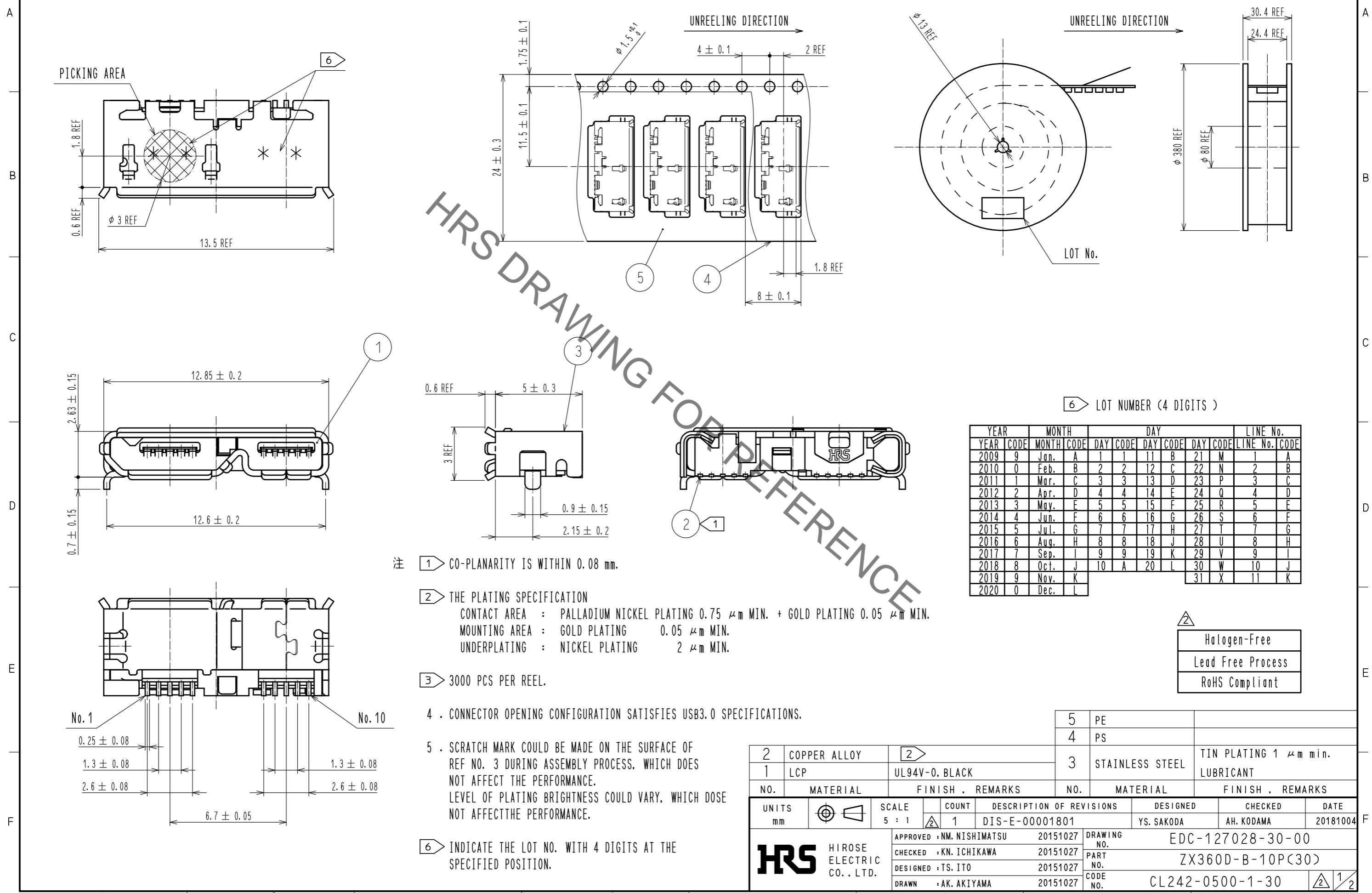


May.1.2023 Copyright 2023 HIROSE ELECTRIC CO., LTD. All Rights Reserved.  
 In case of consideration for using Automotive equipment / device which demand high reliability, kindly contact our sales window correspondents.

③ DRAWING FOR PACKAGING (FREE)



HRS DRAWING FOR REFERENCE

⑥ LOT NUMBER (4 DIGITS)

YEAR	MONTH	DAY	DAY	LINE No.
YEAR CODE	MONTH CODE	DAY CODE	DAY CODE	LINE No. CODE
2009	9	Jan.	A	1 1 11 B 21 M 1 A
2010	0	Feb.	B	2 2 12 C 22 N 2 B
2011	1	Mar.	C	3 3 13 D 23 P 3 C
2012	2	Apr.	D	4 4 14 E 24 Q 4 D
2013	3	May.	E	5 5 15 F 25 R 5 E
2014	4	Jun.	F	6 6 16 G 26 S 6 F
2015	5	Jul.	G	7 7 17 H 27 T 7 G
2016	6	Aug.	H	8 8 18 J 28 U 8 H
2017	7	Sep.	I	9 9 19 K 29 V 9 I
2018	8	Oct.	J	10 A 20 L 30 W 10 J
2019	9	Nov.	K	31 X 11 K
2020	0	Dec.	L	

注 ① CO-PLANARITY IS WITHIN 0.08 mm.

② THE PLATING SPECIFICATION  
 CONTACT AREA : PALLADIUM NICKEL PLATING 0.75 μm MIN. + GOLD PLATING 0.05 μm MIN.  
 MOUNTING AREA : GOLD PLATING 0.05 μm MIN.  
 UNDERPLATING : NICKEL PLATING 2 μm MIN.

③ 3000 PCS PER REEL.

4 . CONNECTOR OPENING CONFIGURATION SATISFIES USB3.0 SPECIFICATIONS.

5 . SCRATCH MARK COULD BE MADE ON THE SURFACE OF REF NO. 3 DURING ASSEMBLY PROCESS, WHICH DOES NOT AFFECT THE PERFORMANCE. LEVEL OF PLATING BRIGHTNESS COULD VARY, WHICH DOSE NOT AFFECT THE PERFORMANCE.

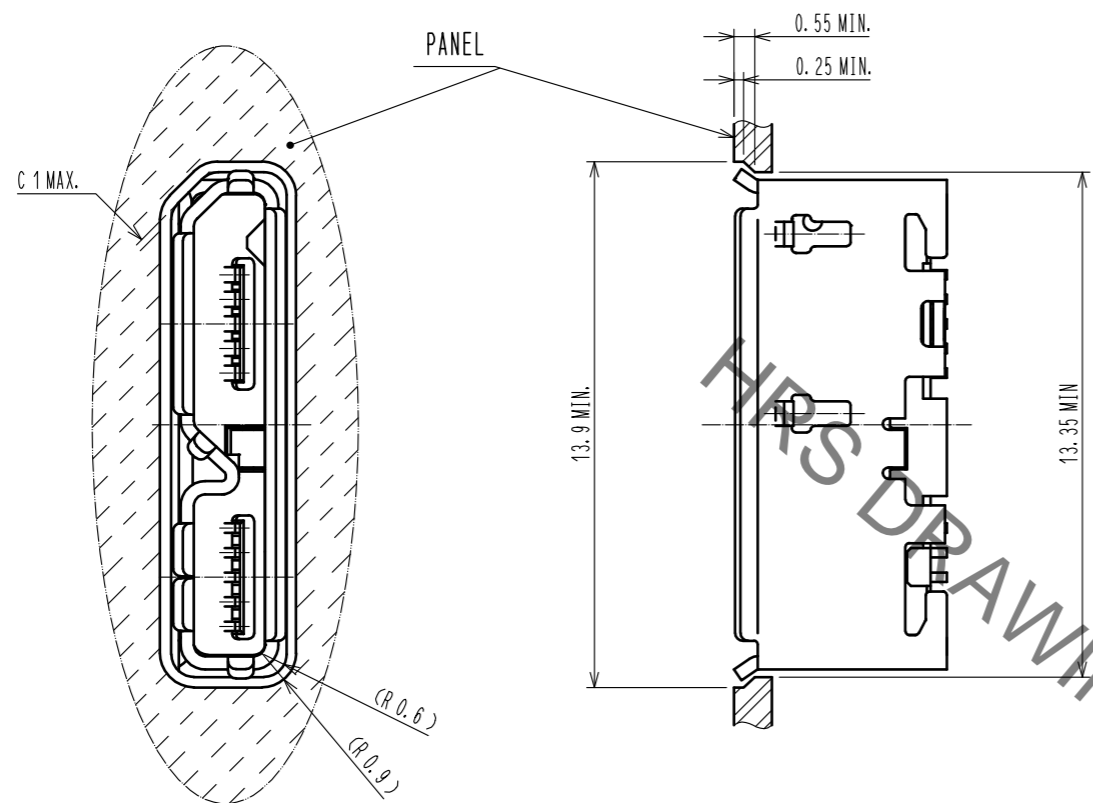
⑥ INDICATE THE LOT NO. WITH 4 DIGITS AT THE SPECIFIED POSITION.

△ Halogen-Free  
 Lead Free Process  
 RoHS Compliant

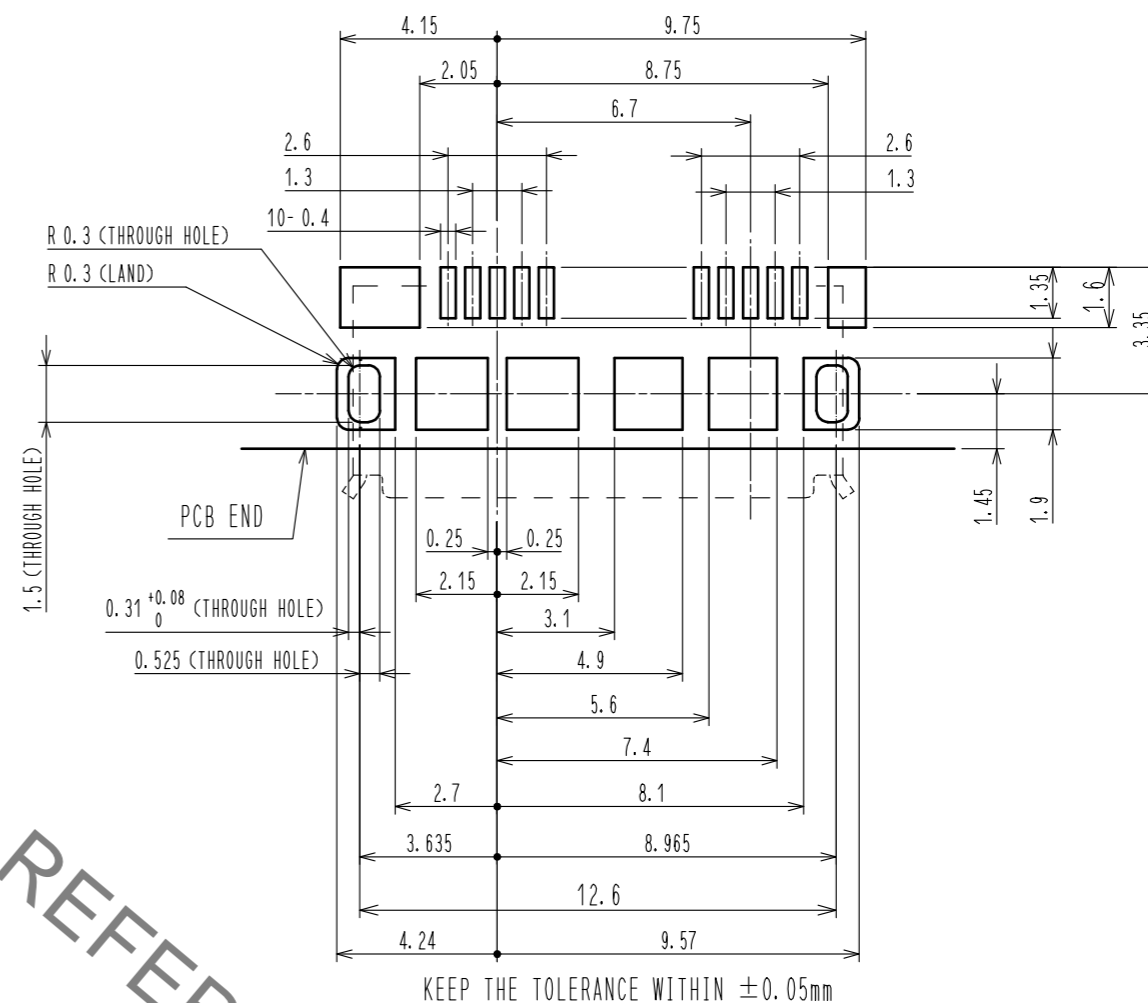
2	COPPER ALLOY	②	5	PE	
1	LCP	UL94V-0, BLACK	4	PS	
3	STAINLESS STEEL	TIN PLATING 1 μm min. LUBRICANT			
NO.	MATERIAL	FINISH . REMARKS	NO.	MATERIAL	FINISH . REMARKS
UNITS	mm	SCALE	5 : 1	COUNT	1
DESCRIPTION OF REVISIONS			DESIGNED	Y.S. SAKODA	CHECKED
DIS-E-00001801			DATE	20181004	
APPROVED : NM. NISHIMATSU 20151027			DRAWING NO. EDC-127028-30-00		
CHECKED : KN. ICHIKAWA 20151027			PART NO. ZX360D-B-10P(30)		
DESIGNED : TS. ITO 20151027			CODE NO. CL242-0500-1-30		
DRAWN : AK. AKIYAMA 20151027			1/2		

May.1.2023 Copyright 2023 HIROSE ELECTRIC CO., LTD. All Rights Reserved.  
 In case of consideration for using Automotive equipment / device which demand high reliability, kindly contact our sales window correspondents.

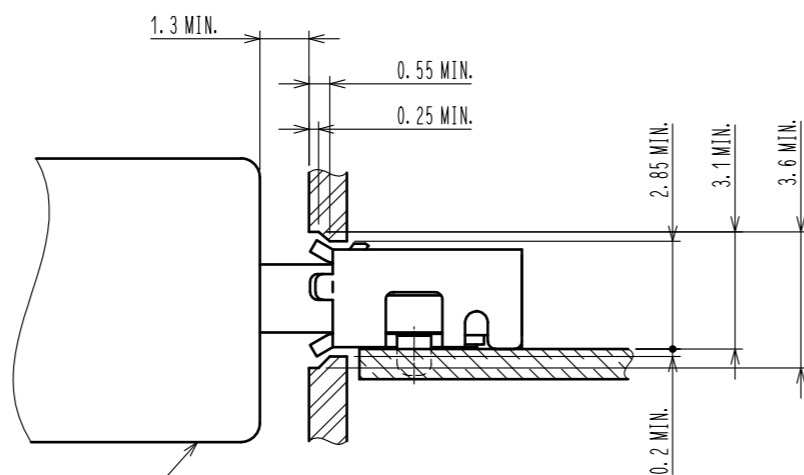
RECOMMENDED PANEL CUTOUT



PCB LAYOUT FOR REFERENCE.



MATED WITH CORRESPONDING PLUG



MicroUSB (TYPE B)  
 (HIROSE'S MICRO USB 'ZX SERIES')

<b>HRS</b>	DRAWING NO.	EDC-127028-30-00	2/2
	PART NO.	ZX360D-B-10P(30)	
	CODE NO.	CL242-0500-1-30	