

REVISED EC NO: SH2008-0347 DRW: EKA001 CHKD: APPR: WMSCHANG 2008/01/11 2008/01/14	DESCRIPTION QUALITY SYMBOLS ▽ = 0 ▽ = 0	GENERAL TOLERANCES (UNLESS SPECIFIED)		DIMENSION STYLE	SCALE	DESIGN UNITS	THIRD ANGLE PROJECTION	
				MM ONLY	1:1	METRIC		
		4 PLACES	± ---	± ---	DRAWN BY	DATE	TITLE	
		3 PLACES	± ---	± ---	DAVID	2007/02/15	SMART CARD WITH FPC TAIL	
2 PLACES	± 0.25	± ---	CHECKED BY	DATE				
1 PLACE	± 0.25	± ---	ERIC KAO	2007/02/15	MOLEX INCORPORATED			
ANGULAR ± 3 °			APPROVED BY	DATE				
DRAFT WHERE APPLICABLE MUST REMAIN WITHIN DIMENSIONS			ALLEN LIN	2007/02/15	DOCUMENT NO.		SHEET NO.	
			48293-0001		SD-48293-001		1 OF 3	
			THIS DRAWING CONTAINS INFORMATION THAT IS PROPRIETARY TO MOLEX INCORPORATED AND SHOULD NOT BE USED WITHOUT WRITTEN PERMISSION					

NOTES:

1. MATERIAL:

- HOUSING: LIQUID CRYSTAL POLYMER. GLASS FIBER FILLED.
UL94V-0.COLOR:BLACK
- RETAINER: LIQUID CRYSTAL POLYMER. GLASS FIBER FILLED.
UL94V-0. COLOR: BLACK
- TERMINAL: PHOSPHOR BRONZE.
- DETECT PINS: PHOSPHOR BRONZE.
- METAL SHELL: STAINLESS.
- FPC: DOUBLE SIDE, 1 mil/0.025mm POLYIMIDE, 0.5 oz/0.0175mm COPPER
- INSULATION: 1 mil/0.025mm POLYIMIDE COVERLET
- INSULATION MYLAR <UPPER AND LOWER>: POLYESTER FILM. COLOR: BLACK, THICKNESS: 0.1mm

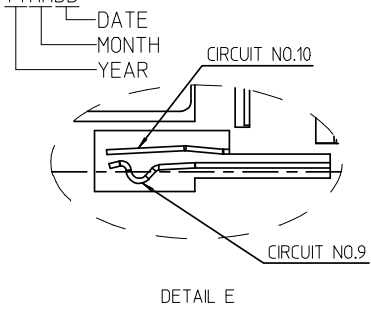
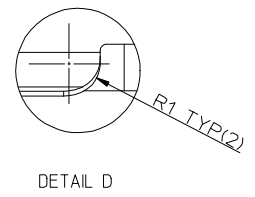
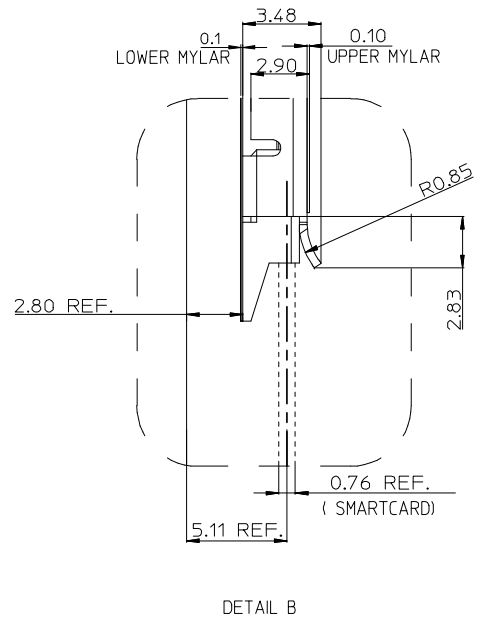
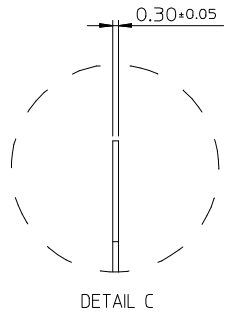
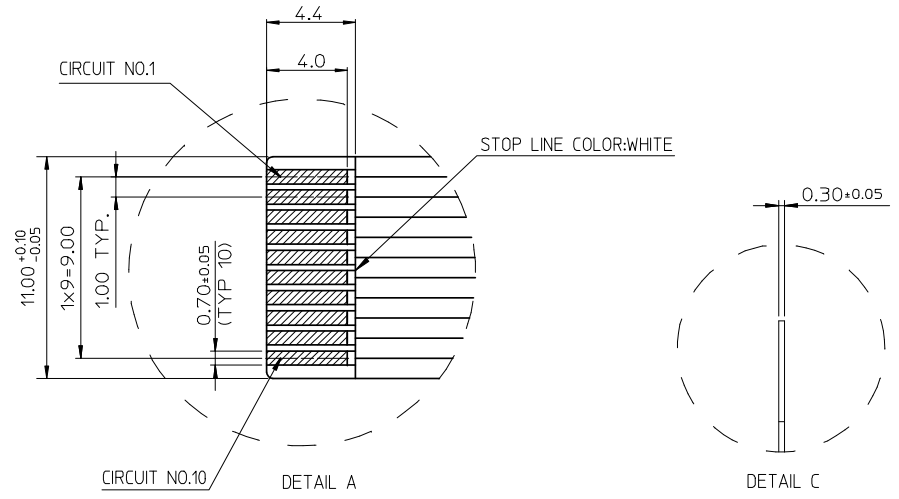
2. PLATING:

- TERMINAL: GOLD PLATED ON CONTACT AREA,
THICKNESS: 0.76 MICROMETER MINIMUM.
- NICKEL UNDER PLATING OVER ALL.
- DETECT PINS: GOLD FLASH ON CONTACT AREA,
THICKNESS: 0.127 MICROMETER MINIMUM.
- NICKEL UNDER PLATING OVER ALL.
- FPC PAD: GOLD FLASH ON MATING SURFACE

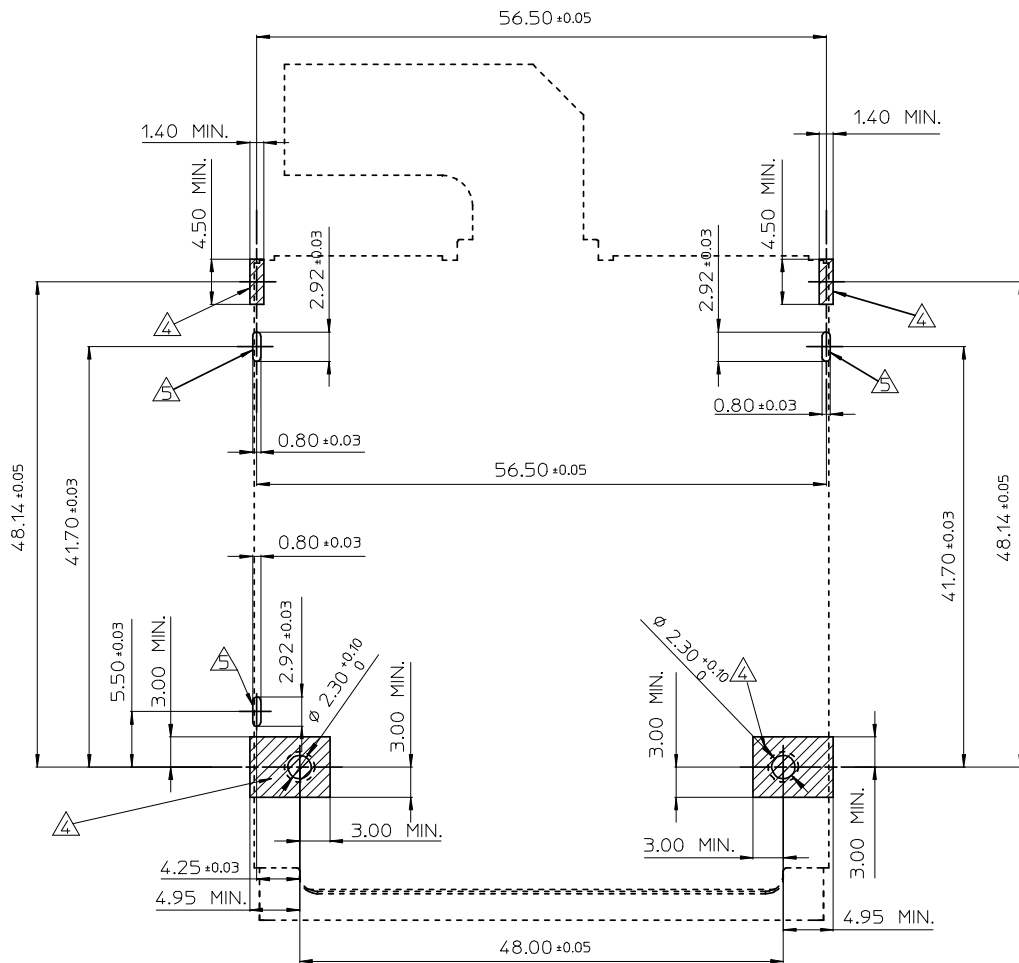
- △ CARD DETECTION SWITCH NORMALLY OPEN
- △ NO COMPONENT AREA
- △ THROUGH HOLE
- 6. PACKAGING SPECIFICATION REFER TO PK-48293-001
- 7. PRODUCT SPECIFICATION REFER TO PS-48293-001
- 8. TEST SUMMARY REFER TS-48293-001
- 9. LEAD-FREE AND RoHS COMPLIANT PRODUCT
- △ 10. DATE CODE: YYMMDD

PIN ASSIGNMENT

CIRCUIT NO.	ASSIGN
10	DET2
9	DET1
8	RFU8
7	I/O
6	VPP
5	GND
4	RFU4
3	CLK
2	RST
1	VCC



REVISED EC NO: SH2008-0347 DRW: KEA001 CHKD: APPR: WMSCHANG 2008/01/11 2008/01/11 2008/01/14	QUALITY SYMBOLS	GENERAL TOLERANCES (UNLESS SPECIFIED)	DIMENSION STYLE	SCALE	DESIGN UNITS	THIRD ANGLE PROJECTION
	▽=0 C=0	mm INCH 4 PLACES ± --- ± --- 3 PLACES ± --- ± --- 2 PLACES ± 0.25 ± --- 1 PLACE ± 0.25 ± --- ANGULAR ± 3 °	MM ONLY	1:1	METRIC	DRAWN BY: DAVID DATE: 2007/02/15 CHECKED BY: ERIC KAO DATE: 2007/02/15 APPROVED BY: ALLEN LIN DATE: 2007/02/15 MATERIAL NO. 48293-0001
		DRAFT WHERE APPLICABLE MUST REMAIN WITHIN DIMENSIONS				TITLE: SMART CARD WITH FPC TAIL MOLEX INCORPORATED DOCUMENT NO. SD-48293-001 SHEET NO. 2 OF 3
				SIZE A3	THIS DRAWING CONTAINS INFORMATION THAT IS PROPRIETARY TO MOLEX INCORPORATED AND SHOULD NOT BE USED WITHOUT WRITTEN PERMISSION	



RECOMMENDED PCB LAYOUT
(PCB THICKNESS:1.2mm)

REVISED EC NO: SH2008-0347 DRW: KEA001 CHKD: APPR: WMSCHANG 2008/01/14	QUALITY SYMBOLS ▽=0 ◻=0	GENERAL TOLERANCES (UNLESS SPECIFIED) <table border="1"> <thead> <tr> <th></th> <th>mm</th> <th>INCH</th> </tr> </thead> <tbody> <tr> <td>4 PLACES</td> <td>± ---</td> <td>± ---</td> </tr> <tr> <td>3 PLACES</td> <td>± ---</td> <td>± ---</td> </tr> <tr> <td>2 PLACES</td> <td>± 0.25</td> <td>± ---</td> </tr> <tr> <td>1 PLACE</td> <td>± 0.25</td> <td>± ---</td> </tr> </tbody> </table>		mm	INCH	4 PLACES	± ---	± ---	3 PLACES	± ---	± ---	2 PLACES	± 0.25	± ---	1 PLACE	± 0.25	± ---	DIMENSION STYLE MM ONLY	SCALE 1:1	DESIGN UNITS METRIC	THIRD ANGLE PROJECTION
		mm	INCH																		
	4 PLACES	± ---	± ---																		
	3 PLACES	± ---	± ---																		
2 PLACES	± 0.25	± ---																			
1 PLACE	± 0.25	± ---																			
DESCRIPTION REV	DRAFT WHERE APPLICABLE MUST REMAIN WITHIN DIMENSIONS	DRAWN BY DAVID	DATE 2007/02/15	TITLE SMART CARD WITH FPC TAIL																	
		CHECKED BY ERIC KAO	DATE 2007/02/15	MOLEX INCORPORATED																	
		APPROVED BY ALLEN LIN	DATE 2007/02/15	MATERIAL NO. 48293-0001	DOCUMENT NO. SD-48293-001	SHEET NO. 3 OF 3															