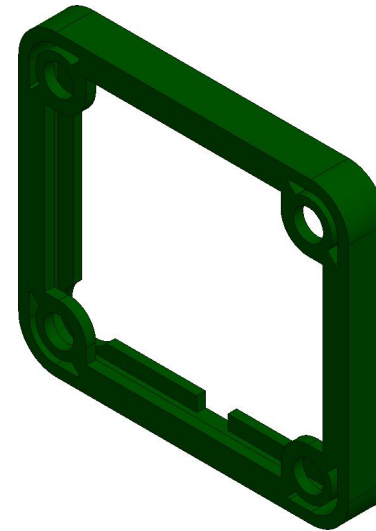
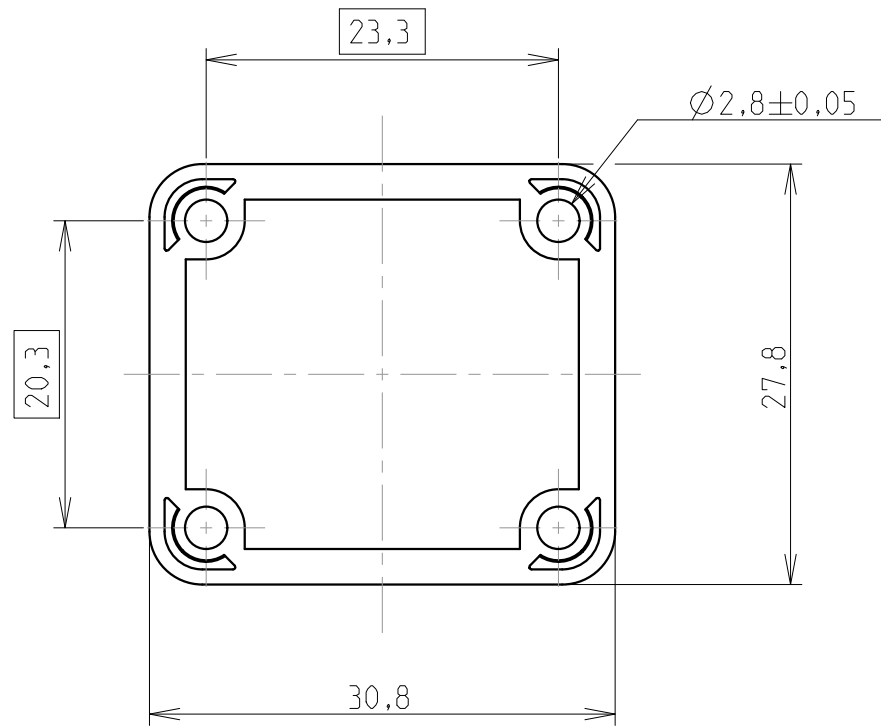


B.4: Validé

MASS ± 5% 0.8 g



Technical Characteristics

Material & finishes
 Material : Silicone elastomer

Climatic
 Operating temperature range : -55 °C to +175 °C
 Salt spray (corrosion) : 500 hrs

Mechanical
 Adapted to short and extender receptacles

Environmental
 RoHS and REACH compliant
 Fluid resistance : See standard EN 4165-001 (table 40)

Country	Jurisdiction & Control List
FR	NOT LISTED

P/N : 8MQ2A1E25

BASIC SERIE	8MQ	2	A	1	E	25
2 = Serie 2		A = Accessory		1 = Number of cavities		E = Sealing gasket
25 = Based on standard EN4165						

B	06/05/20	Mass correction (was 8.5 g)	24230AH
ISS	DATE	Latest modification - by:	MOD N°
		N.AUFFRET Date:10/08/17	E.FOREST
Designed by:		CUSTOMER DRAWING	
TITLE		SEALING GASKET - ACCESSORY	
		BASIC SERIE 8MQ - EN4165	
Scale		General Linear Tolerances: ± 0,1	NPRDS / PROJECT BE133702A
2/1			
		WWW.SOURIAU.COM	
		This document is the property of SOURIAU. It must not be reproduced or communicated without permission.	
FORMAT	SOURIAU DRG N°		SHEET
A3	8MQ2A1E25-C		1 / 1

SOURIAU shall not be liable for any non-conformity or damage due to a use of the Products which does not comply with the Specifications issued by either of the Parties or by a third party (professional recommendation, technical notice.)