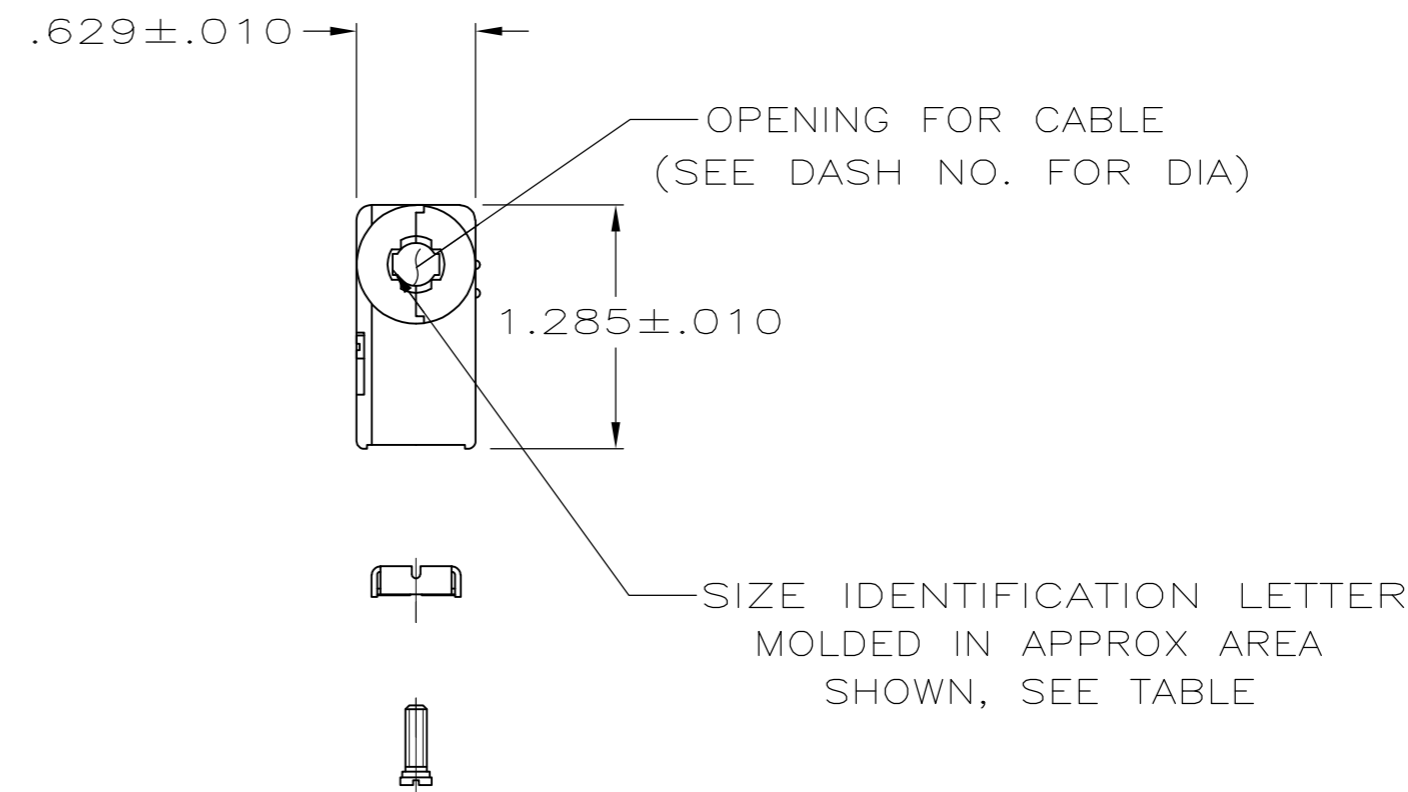
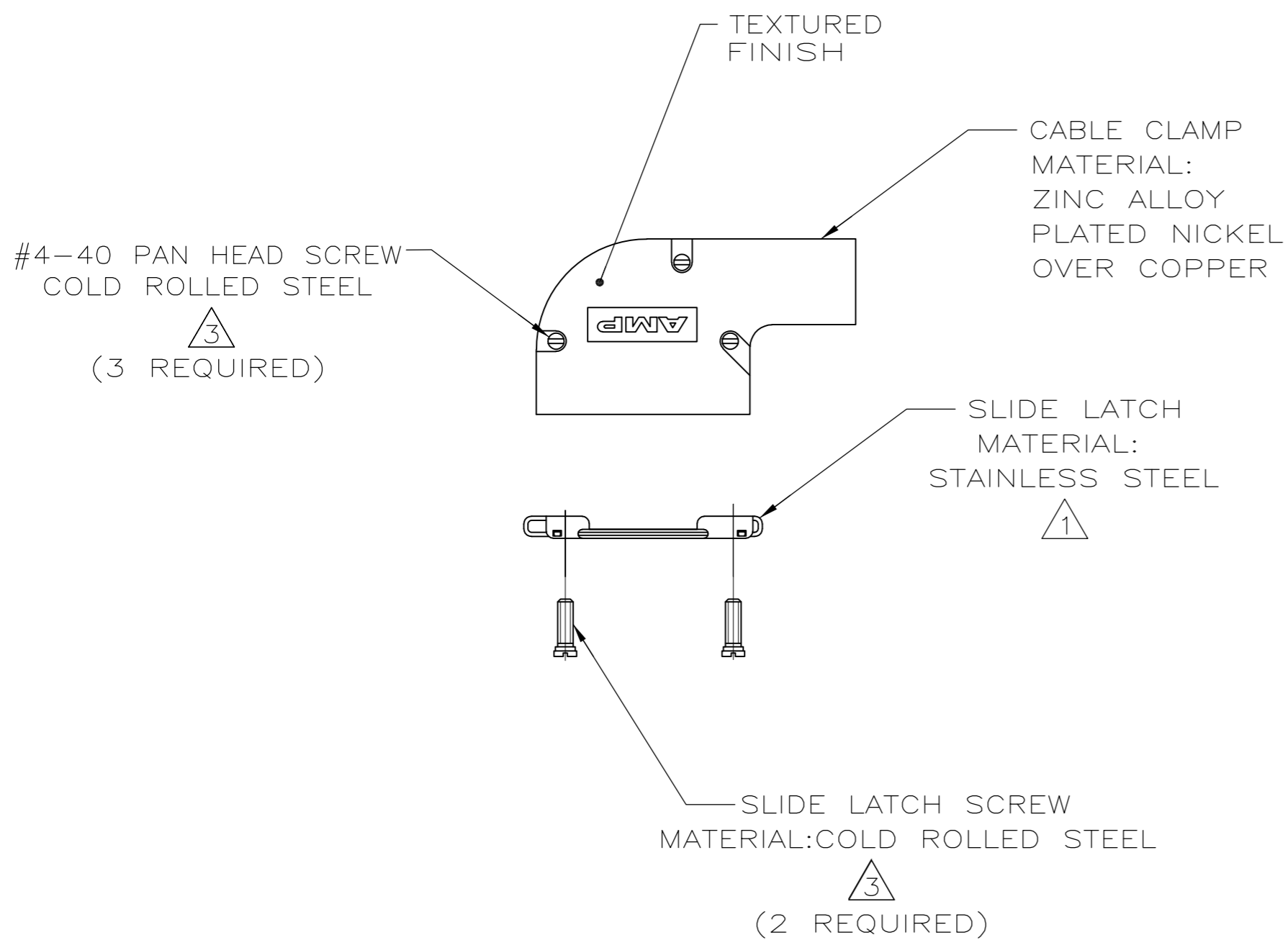
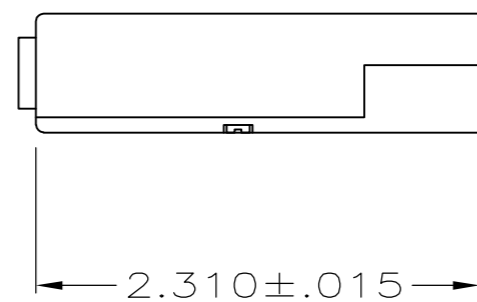


THIS DRAWING IS UNPUBLISHED. RELEASED FOR PUBLICATION  
 © COPYRIGHT - By - ALL RIGHTS RESERVED.

LOC	DIST	REVISIONS			
P	LTR	DESCRIPTION	DATE	DWN	APVD
GP	00	R	REVISED PER ECO-16-000053	18JAN2016	AP DG



- 1 KIT INCLUDES SLIDE LATCH & SCREWS.
- 2. ALL PARTS PACKAGED UNASSEMBLED.
- 3 ZINC PLATED .000200-.000400 THICK, CLEAR CHROMATE COATING.

B	.225	5745652-4
E	.300	5745652-3
H	.375	5745652-2
K	.430	5745652-1
NECK IDENT	CABLE DIA	PART NO.

**COPYRIGHT 2005  
 TE CONNECTIVITY CORP  
 ALL RIGHTS RESERVED**

THIS DRAWING IS A CONTROLLED DOCUMENT.		DWN	D. HENNY	8-13-05	 TE Connectivity CABLE CLAMP KIT, SIZE 2, 15 POSITION, 90 DEG, AMPLIMITE SERIES	
DIMENSIONS: INCHES		CHK	C. ROHDE	8-13-05		
TOLERANCES UNLESS OTHERWISE SPECIFIED:		APVD	M. WALMSLEY	8-13-05		
0 PLC ± - 1 PLC ± - 2 PLC ± - 3 PLC ± .005 4 PLC ± - ANGLES ± -		PRODUCT SPEC	-			
MATERIAL: SEE CALLOUTS		FINISH	SEE CALLOUTS		APPLICATION SPEC	-
MATERIAL: SEE CALLOUTS		WEIGHT	-		SIZE	A2
CUSTOMER DRAWING		SCALE	1:1		CAGE CODE	00779
		SHEET	1 of 1		DRAWING NO	C=5745652
		REV	R		RESTRICTED TO	-