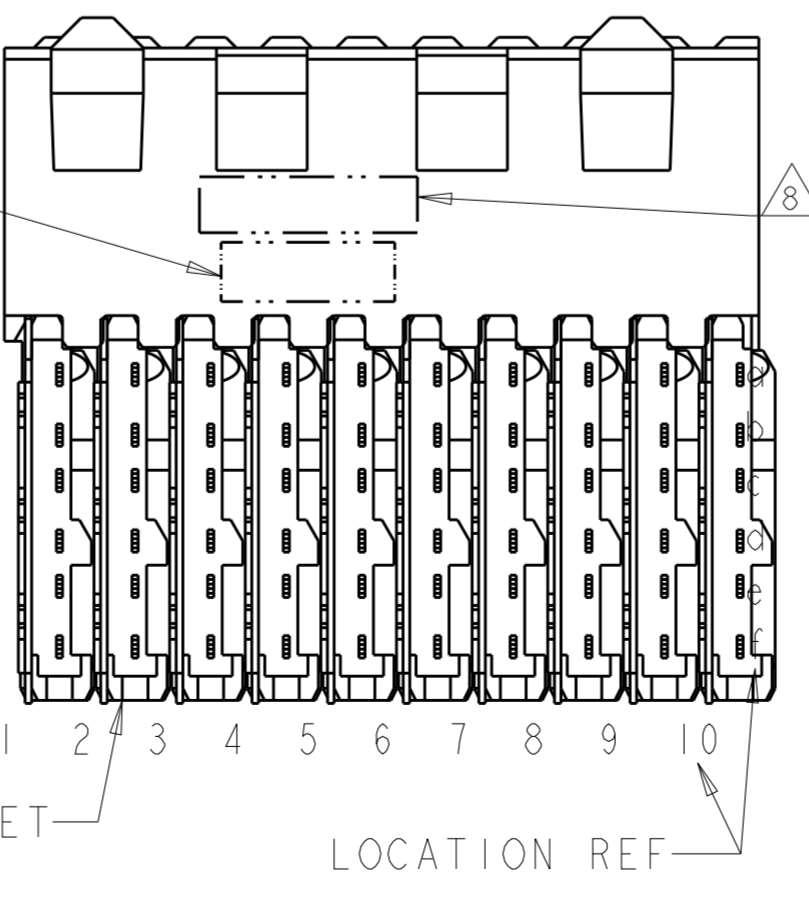
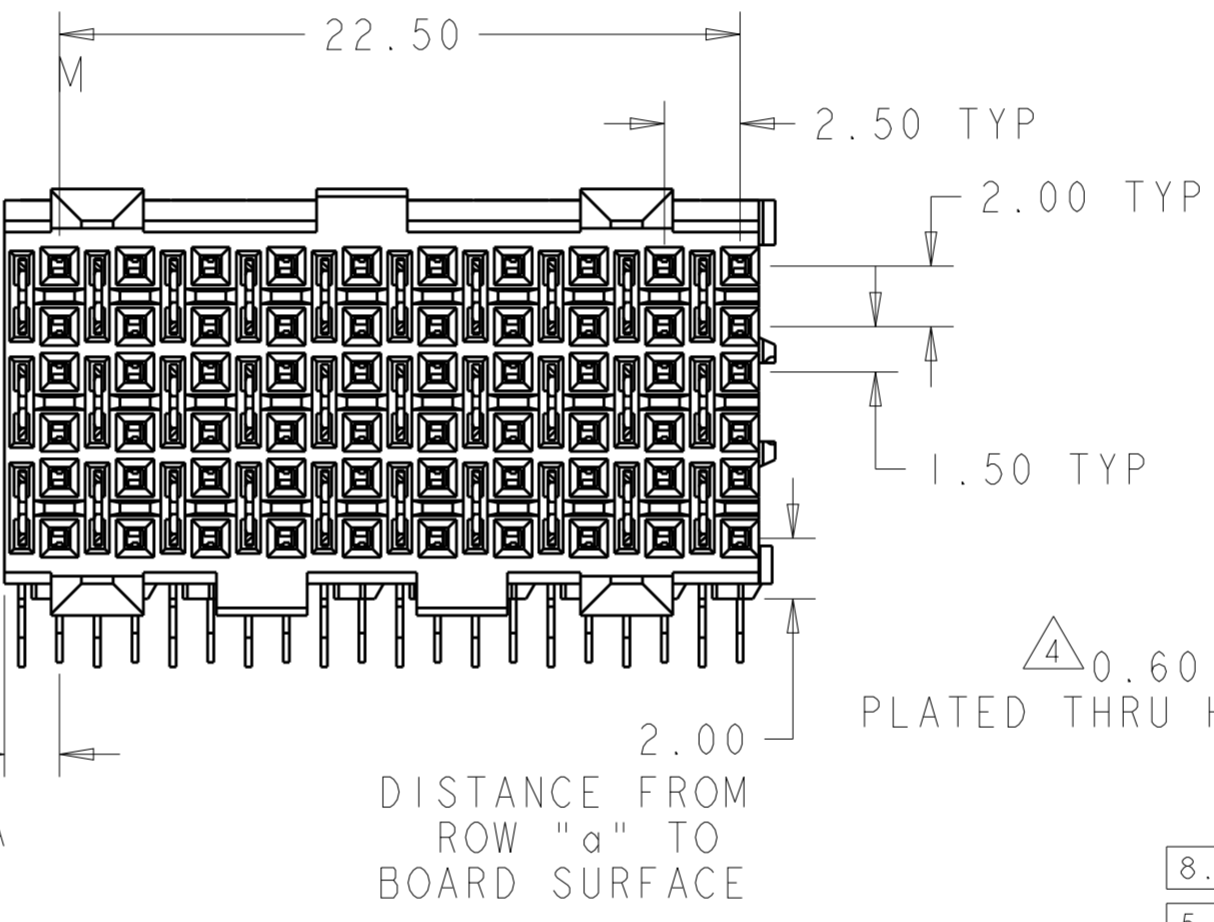
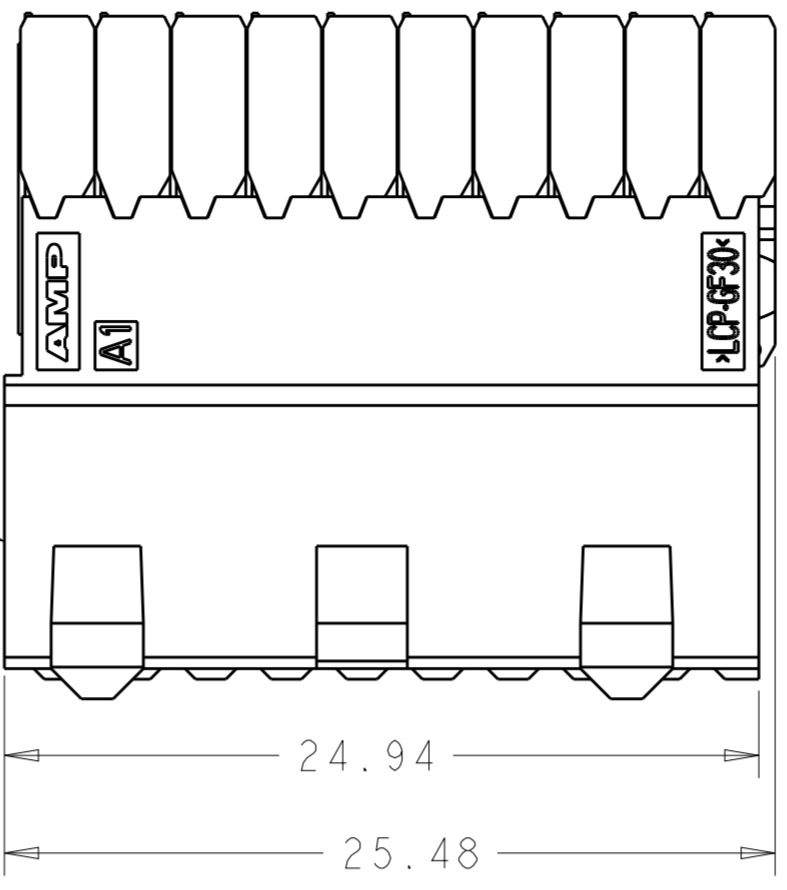
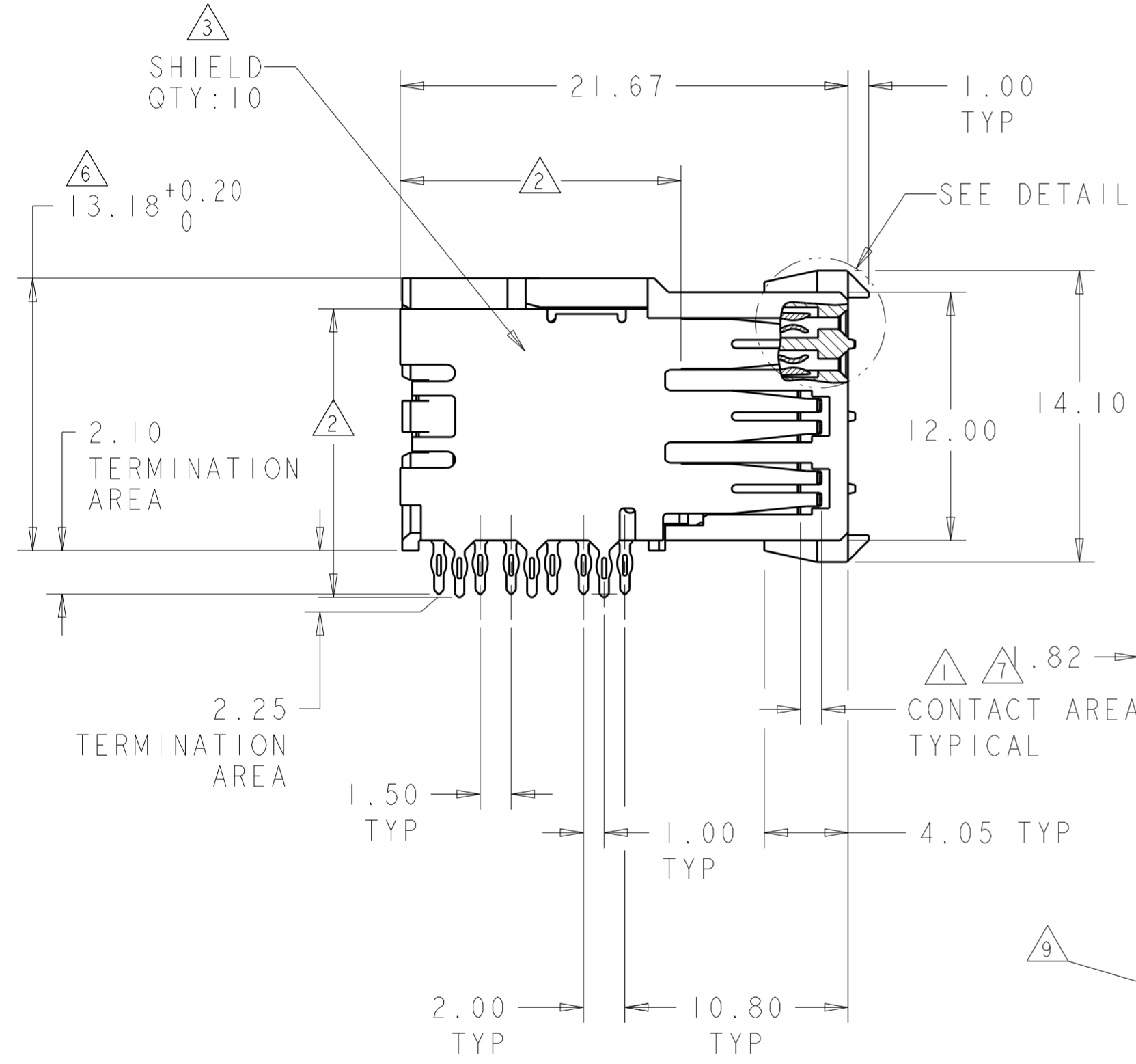
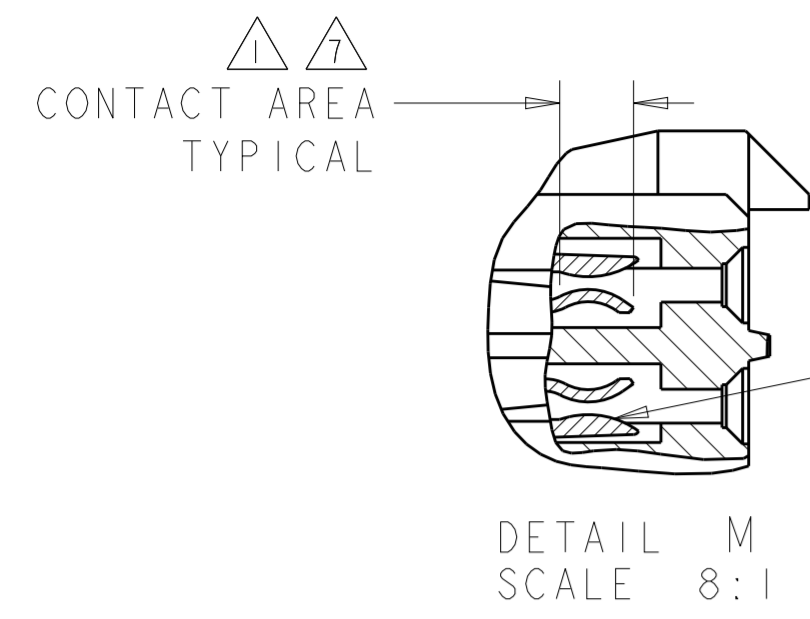
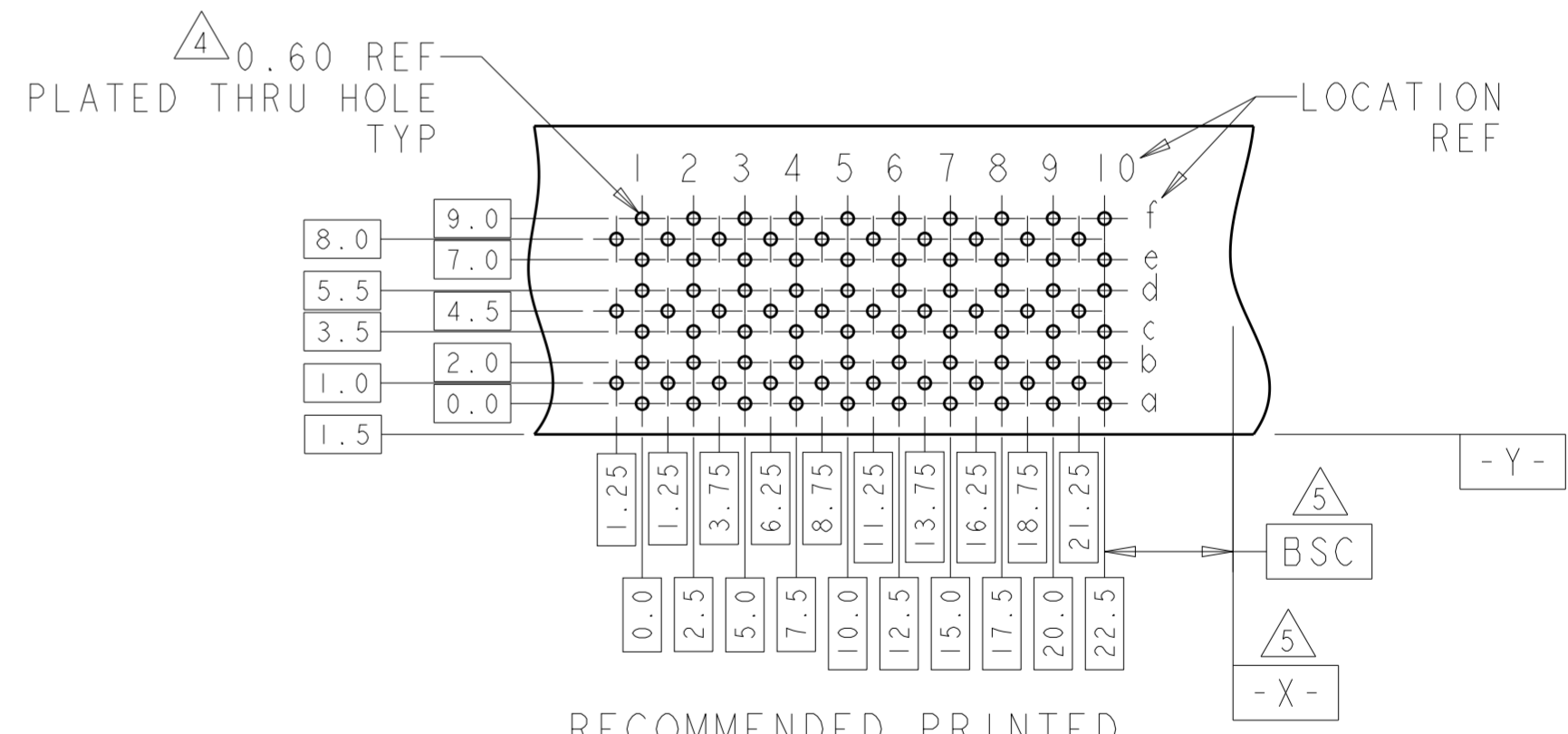


THIS DRAWING IS UNPUBLISHED. RELEASED FOR PUBLICATION 20
 © COPYRIGHT 20 ALL RIGHTS RESERVED.

LOC		DIST		REVISIONS			
P	LTR	DESCRIPTION	DATE	DWN	APVD		
B		REVISED EPR ECO-18-020072	25DEC2018	R.L	H.L		



- 1 CONTACT MATING AREA MEETS THE PERFORMANCE REQUIREMENTS OF TE CONNECTIVITY PRODUCT SPECIFICATION 108-1957; BASED ON TELCORDIA GR-1217-CORE; APPLICATIONS IN UNCONTROLLED ENVIRONMENTS.
- 2 0.76µm MIN TIN OVER 1.27µm MIN NICKEL
- 3 MATERIAL:
 CONTACT - COPPER ALLOY
 SHIELD - PHOSPHOR BRONZE
 HOUSING - LCP, UL94V-0
 CHICKLET - GLASS FILLED POLYESTER
- 4 REFERENCE APPLICATION SPEC 114-13020 FOR RECOMMENDED PLATED THRU HOLE DIAMETER AND PLATING THICKNESS.
- 5 DATUM AND BASIC DIMENSION ESTABLISHED BY CUSTOMER.
- 6 SEATING HEIGHT TO BOARD SURFACE.
- 7 CONTACT AREA LUBRICATED WITH BELLCORE APPROVED LUBRICANT. TECHNICAL REFERENCE: GR-1217-CORE, ISSUE 1, NOVEMBER 1995.
- 8 DATE CODE
- 9 PART NUMBER



RECOMMENDED PRINTED CIRCUIT BOARD LAYOUT
 COMPONENT SIDE OF PRINTED CIRCUIT BOARD
 SCALE 3:1

5120786-1
 PART NUMBER

THIS DRAWING IS A CONTROLLED DOCUMENT.		DWN B. CARBO 07DEC04	TE Connectivity	
DIMENSIONS: mm		CHK R. PATTERSON 07DEC04		
TOLERANCES UNLESS OTHERWISE SPECIFIED:		APVD R. PATTERSON 07DEC04	NAME RECEPTACLE ASSEMBLY, 60 POSITION, 6 ROW, DUAL BEAM, Z-PACK HS3	
0 PLC ±		PRODUCT SPEC 108-1957	SIZE CAGE CODE DRAWING NO A200779 C-5120786	
1 PLC ±		APPLICATION SPEC 114-13020	RESTRICTED TO	
2 PLC ±0.13		WEIGHT	SCALE 3:1 SHEET 1 OF 1 REV B	
3 PLC ±0.050		CUSTOMER DRAWING		
4 PLC ±				
ANGLES ±				
FINISH				
SOLDER TAIL: 1				
SOLDER TAIL: 2				