

REVISIONS					
P	LTR	DESCRIPTION	DATE	DWN	APVD
	F	REVISED PER ECN-22-142121	08APR2022	LN	JM

NOTES:

- THIS INSERT IS DESIGNED FOR USE IN RAYCHEM CONNECTOR HOUSING MTC100-JH1-XXX. (SEE RAYCHEM INFORMATION DRAWING D-659-0097 AND HOUSING SPECIFICATION CONTROL DRAWINGS FOR FURTHER DETAILS).
- PART DESCRIBED HEREON IS SUPPLIED AS SHOWN. IF CONTACTS, SEALING PLUGS, AND TOOLS ARE DESIRED, THE FOLLOWING MODIFICATION NUMBER IS TO BE ADDED TO THE PART NUMBER ON THE KIT PACKAGING LABEL ONLY:

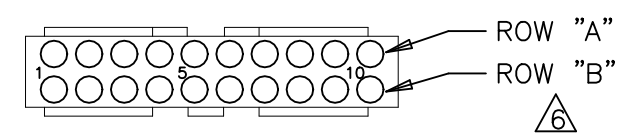
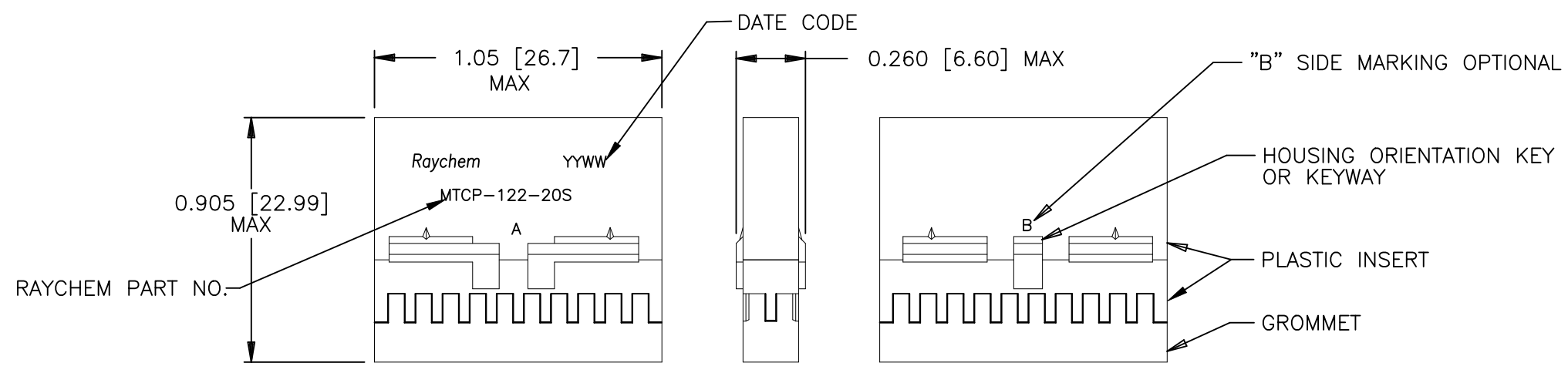
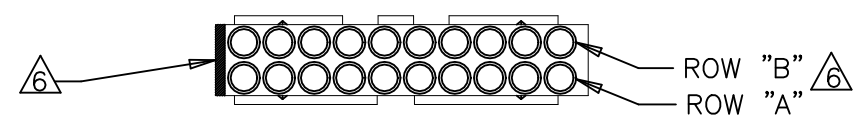
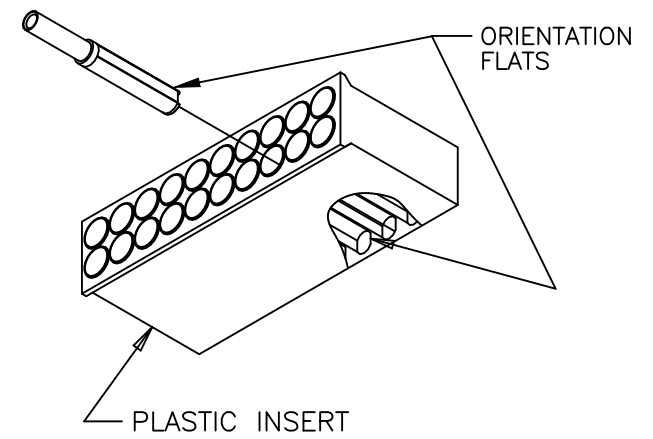
MOD. NO.	DESCRIPTION
022	WITH CONTACTS AND SEALING PLUGS
023	WITH CONTACTS, SEALING PLUGS AND TOOL

REFERENCE RAYCHEM INFORMATION DRAWING D-659-0097 FOR CRIMP TOOLS OR ADDITIONAL CONTACTS, SEALING PLUGS OR TOOLS.

- GROMMET DESIGNED TO SEAL ON WIRES HAVING AN INSULATION DIAMETER OF 0.030 TO 0.065.
- PERFORMANCE:  
THIS PRODUCT IS DESIGNED TO MEET THE APPLICABLE REQUIREMENTS OF RAYCHEM SPECIFICATION C-6115.

- MATERIALS:
  - A) PLASTIC INSERT HIGH GRADE POLYARYLENE THERMOPLASTIC
  - B) GROMMET FLUOROSILICONE PER MIL-R-25988
  - C) RETENTION CLIPS (20) (INSIDE PLASTIC INSERT) BERYLLIUM COPPER 172 PER QQ-C-533 OR 301 STAINLESS STEEL PER TEC-100-309 SPECIAL TEMPER

△ NUMBER ONE (1) CAVITIES ARE MARKED IN CONTRASTING COLOR. ROWS "A" AND "B" ARE AN INTEGRAL PART OF THE INSERT. ROWS "A" AND "B" ARE IDENTIFIED ON THE SIDE OF THE INSERT AS "A" AND "B". "B" SIDE MARKING OPTIONAL.



THIS DRAWING IS A CONTROLLED DOCUMENT.		DWN HAWKINGS 07SEP1988	TE Connectivity		
DIMENSIONS: INCHES		CHK -			
TOLERANCES UNLESS OTHERWISE SPECIFIED:		APVD G.F.BLAIR 10OVT1988	INSERT, SOCKET, 20 CAVITY, SIZE 22-20, REMOVABLE CONTACT, 1-IN CONNECTOR MTC100SERIES		
		PRODUCT SPEC -	SIZE		
MATERIAL -		APPLICATION SPEC -	CAGE CODE	DRAWING NO	RESTRICTED TO
FINISH -		WEIGHT 0.0068 lbs	A3 00779	C-MTCP-122-20S	-
CUSTOMER DRAWING			SCALE 1:1	SHEET 1 OF 1	REV F