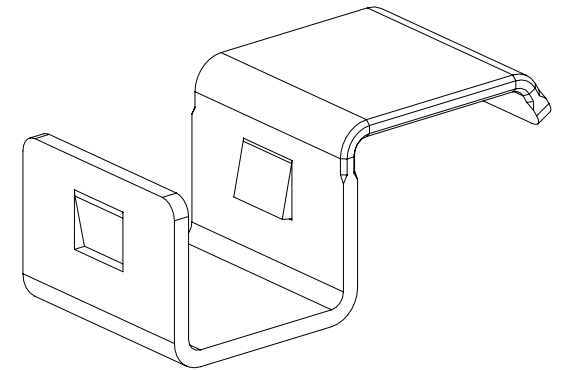
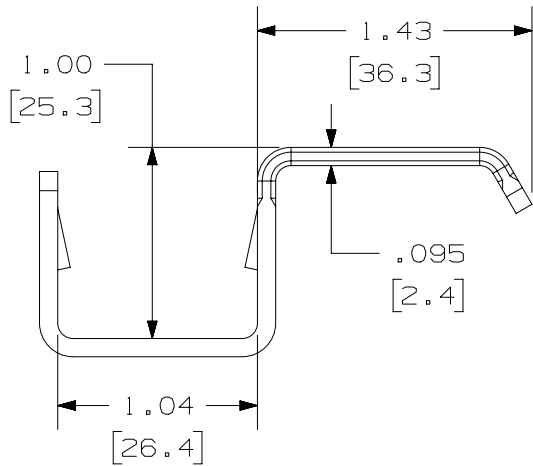
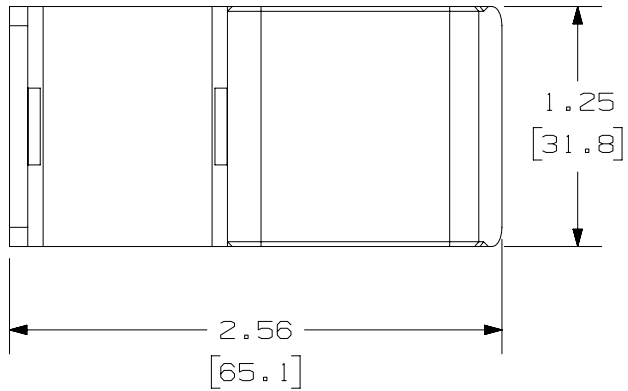


THIS COPY IS PROVIDED ON A RESTRICTED BASIS AND IS NOT TO BE USED IN ANY WAY DETRIMENTAL TO THE INTERESTS OF PANDUIT CORP.



PANDUIT P/N	MATERIAL	WEIGHT / PC
UCFG1-V316	316 STAINLESS STEEL	0.13 lbs [60.0 g]

NOTES:

1. PRIMARY DIMENSIONS ARE ENGLISH (in) DIMENSIONS IN [] METRIC (mm).
2. THIS PRODUCT INTENDED FOR USE WITH COMPOSITE FIBERGLASS LADDER CABLE TRAYS CONSTRUCTION WITH RUNG SIZE 1.00 [25.4] x 1.00 [25.4].

TITLE		FIBERGLASS RUNG BRACKET UCFG1-V316	
		CUSTOMER DRAWING	
ITEM REVISION NAME		00225NGJ/03	
DATASET FILE NAME		00225NGJ_DC/03A	
UNLESS OTHERWISE SPECIFIED, DIMENSIONAL TOLERANCES ARE: IN (mm)		MATERIAL:	
.X ± .XX ±		316 STAINLESS STEEL	
.XXX ± ANGLES ±		DRAWING NUMBER:	
THIRD ANGLE PROJECTION		00225NGJ-DC	
DRAWN BY	DATE	CHK	SCALE
JBN	11-06-17	ACC	1:1
SHT 1 OF 1			SIZE A

REV	DATE	BY	CHK	APR	DESCRIPTION	ECN
03A	07-20-18	JBN	ACC	JADE/ RGRO	RELEASED TO PRODUCTION	036104
00A	11-06-17	JBN	ACC	RGRO	DRAWING RELEASED	

NXGLOBAL-ASIZE