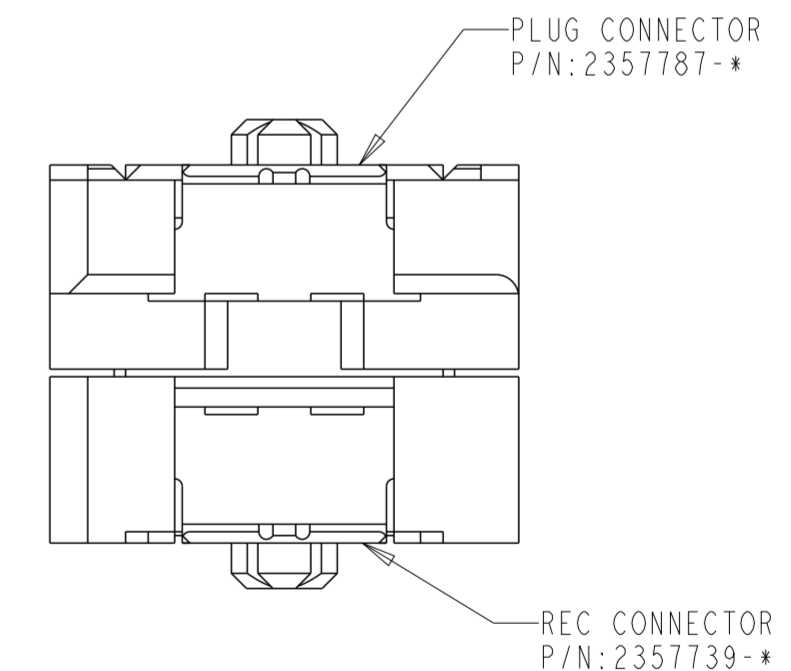
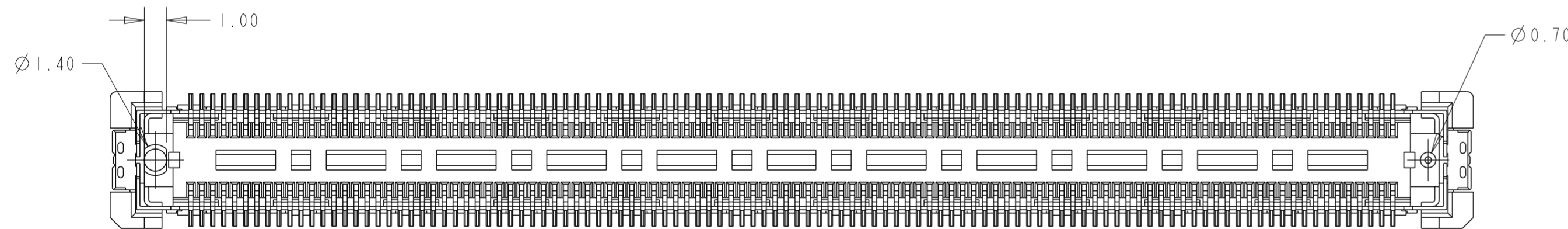
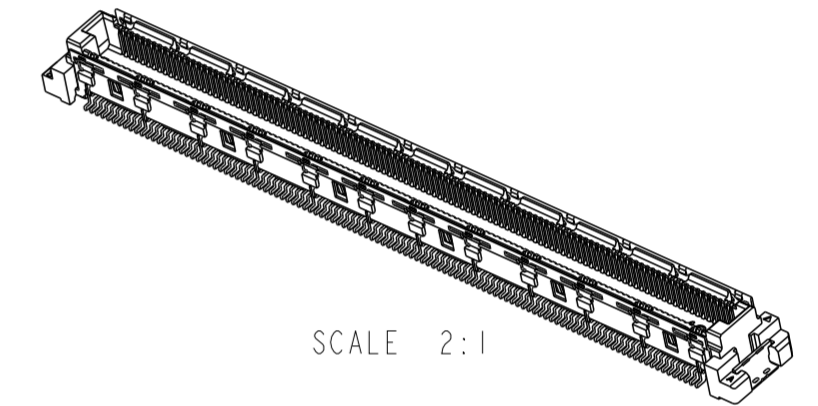
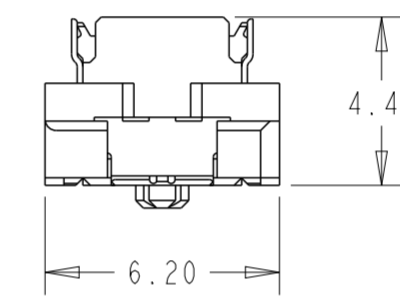
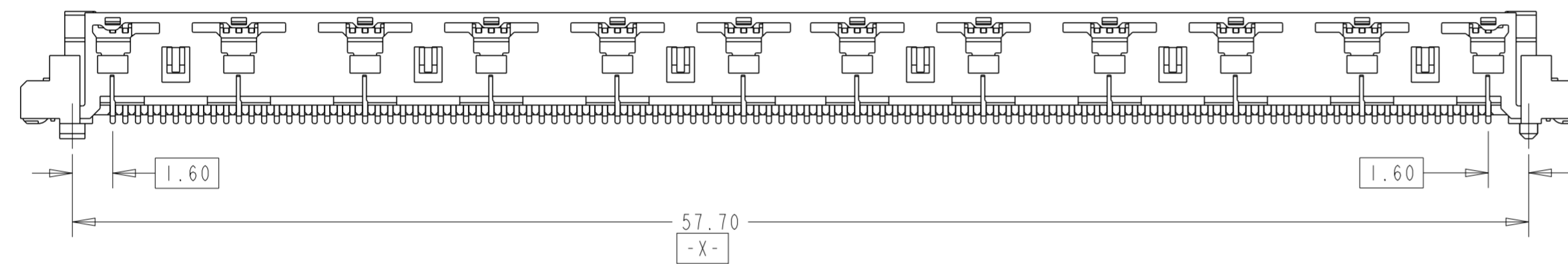
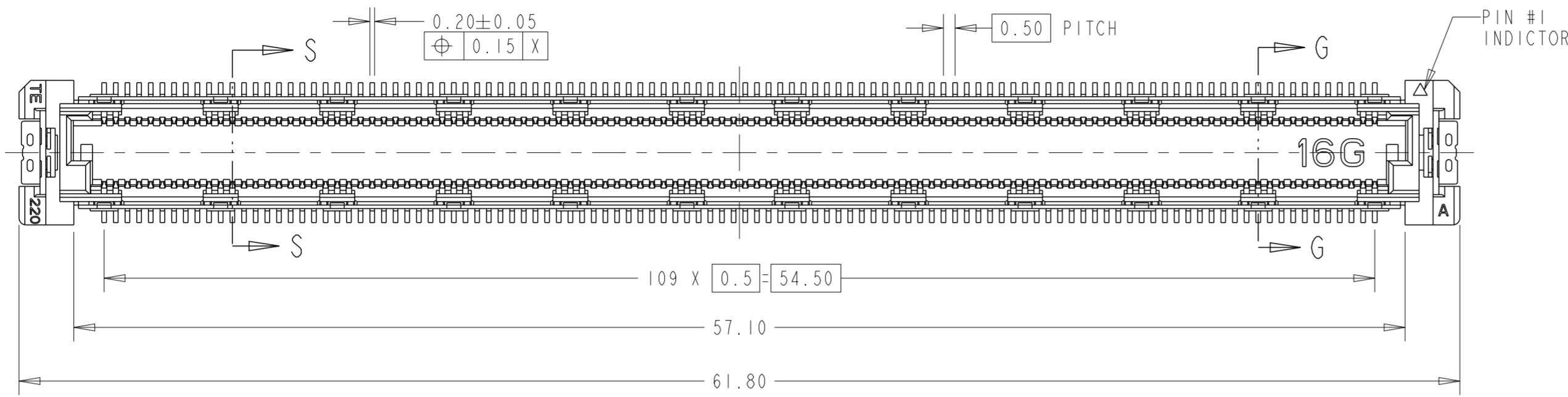


P	LTR	DESCRIPTION	DATE	DWN	APVD
A		FORMAL RELEASE	21AUG2020	A.L	H.L
A1		UPDATE TOL AND TP OF CONTACT	26OCT2020	A.L	H.L
A2		REVISE AS PER ECN-22-134287	29MAR2022	AL	HL
A3		REVISE PER PCN-22-135638	13SEP2022	M.C	H.L

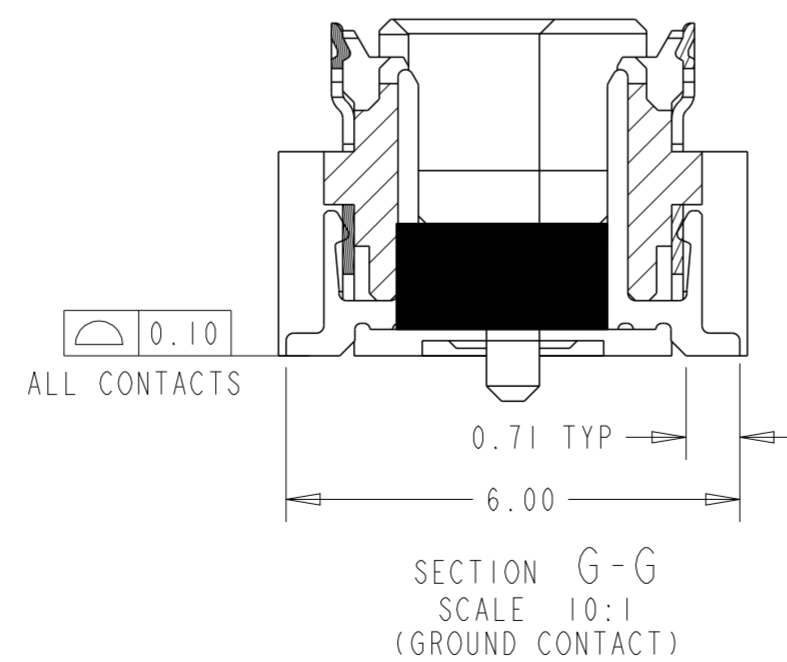
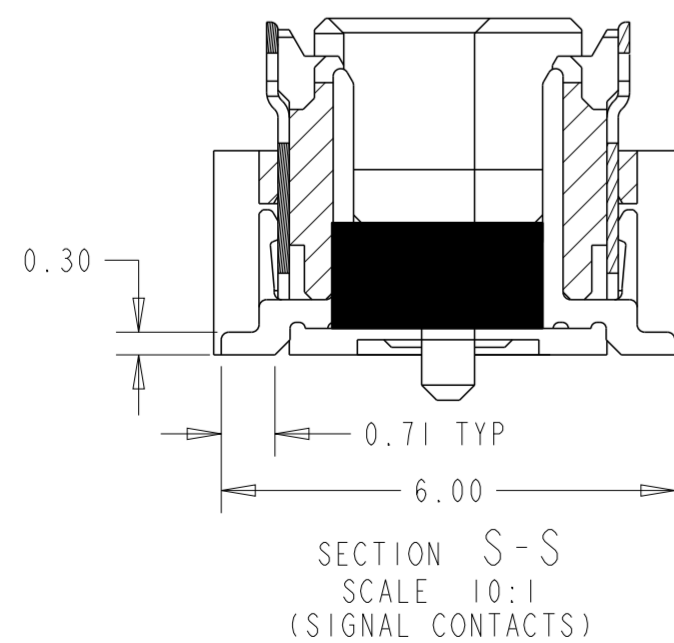
NOTES:

- MATERIAL
 HOUSING :HIGH TEMP THERMO PLASTIC UL94V-0
 CONTACT :COPPER ALLOY
 SOLDER PEG : COPPER ALLOY
 GROUND PLATE :COPPER ALLOY
- FINISH
 UNDERPLATED : 1.27um MIN.NICKEL ALL OVER
 CONTACT MATING AREA : MEETS THE PERFORMANCE REQUIREMENTS OF TE CONNECTIVITY PRODUCT SPECIFICATION 108-32658.
 SOLDER AREA : GOLD FLASH



SCALE 10:1
FULL-MATED CONDITION

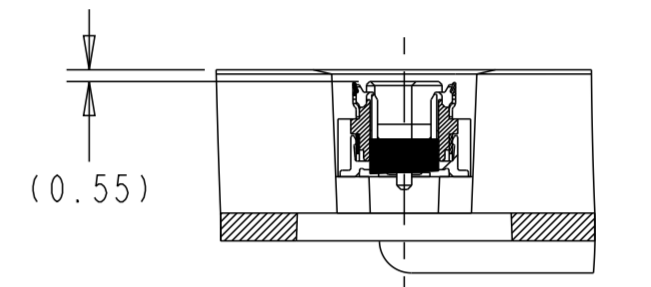
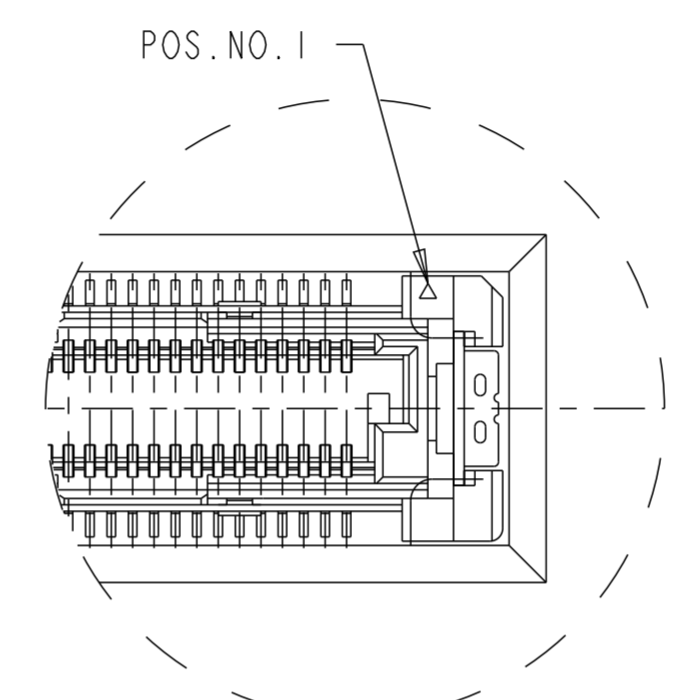
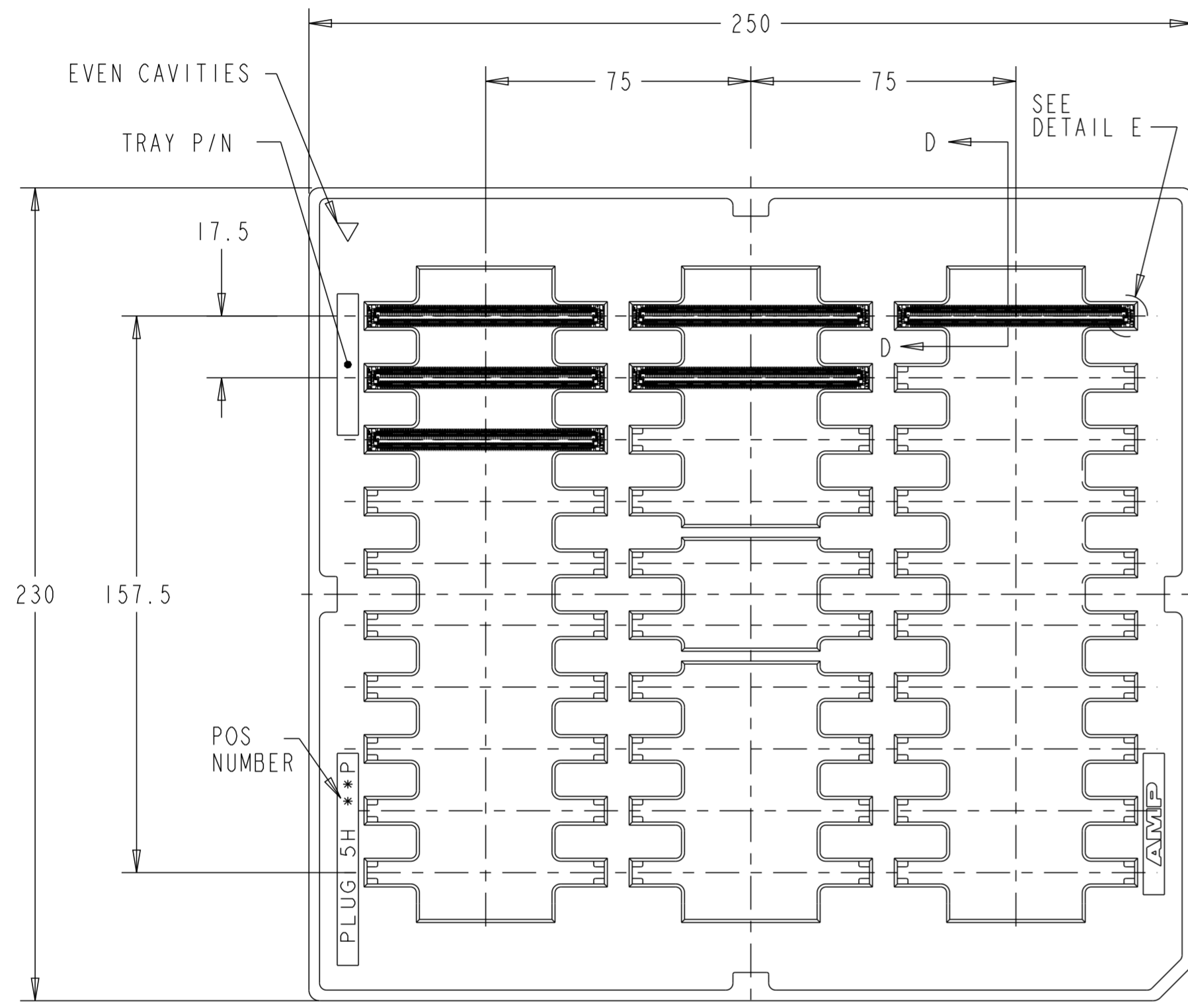
TAPE & REEL	WITHOUT	2357787-4
TAPE & REEL	WITH	2357787-3
HARD TRAY	WITHOUT	2357787-1
PACKAGE	CAP	P/N



THIS DRAWING IS A CONTROLLED DOCUMENT.		DWN	ART LIN	12JUN2019	TE Connectivity	NAME 5H PLUG ASSY 220POS FH 0.5 BTB 16Gbps WITH G-PLATE			
DIMENSIONS:		CHK	HOPE LU	-					
mm		APVD	HOPE LU	-					
TOLERANCES UNLESS OTHERWISE SPECIFIED:		PRODUCT SPEC	108-32658	-					
0 PLC ±1		APPLICATION SPEC	114-115003	-	SIZE	CAGE CODE	DRAWING NO	RESTRICTED TO	
1 PLC ±0.3		WEIGHT	-	-	A2	00779	G-2357787	-	
2 PLC ±0.15		CUSTOMER DRAWING		SCALE	1:1	SHEET	1 OF 5	REV	A3
3 PLC ±0.050									
4 PLC ±0.0250									
ANGLES ±3°									
FINISH									
SEE NOTE 1									
SEE NOTE 2									

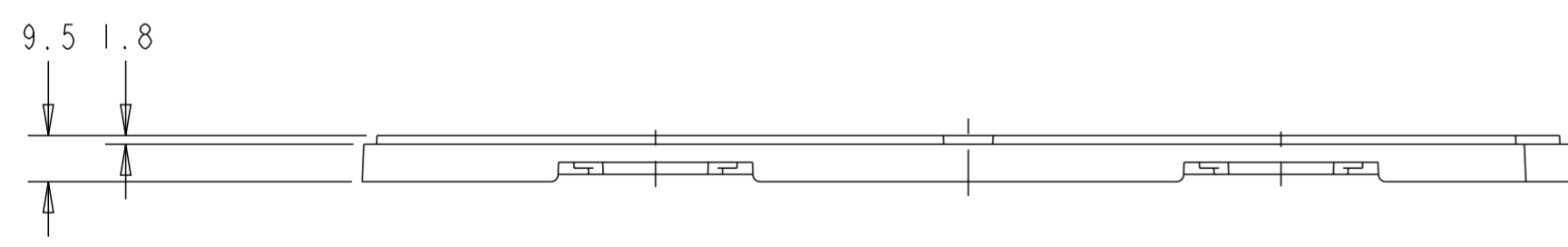
WITHOUT PICK UP CAP
2357787-1

REVISIONS				
P	LTR	DESCRIPTION	DATE	APVD
-		SEE SHEET 1	-	-



DETAIL E
(SCALE 4:1)

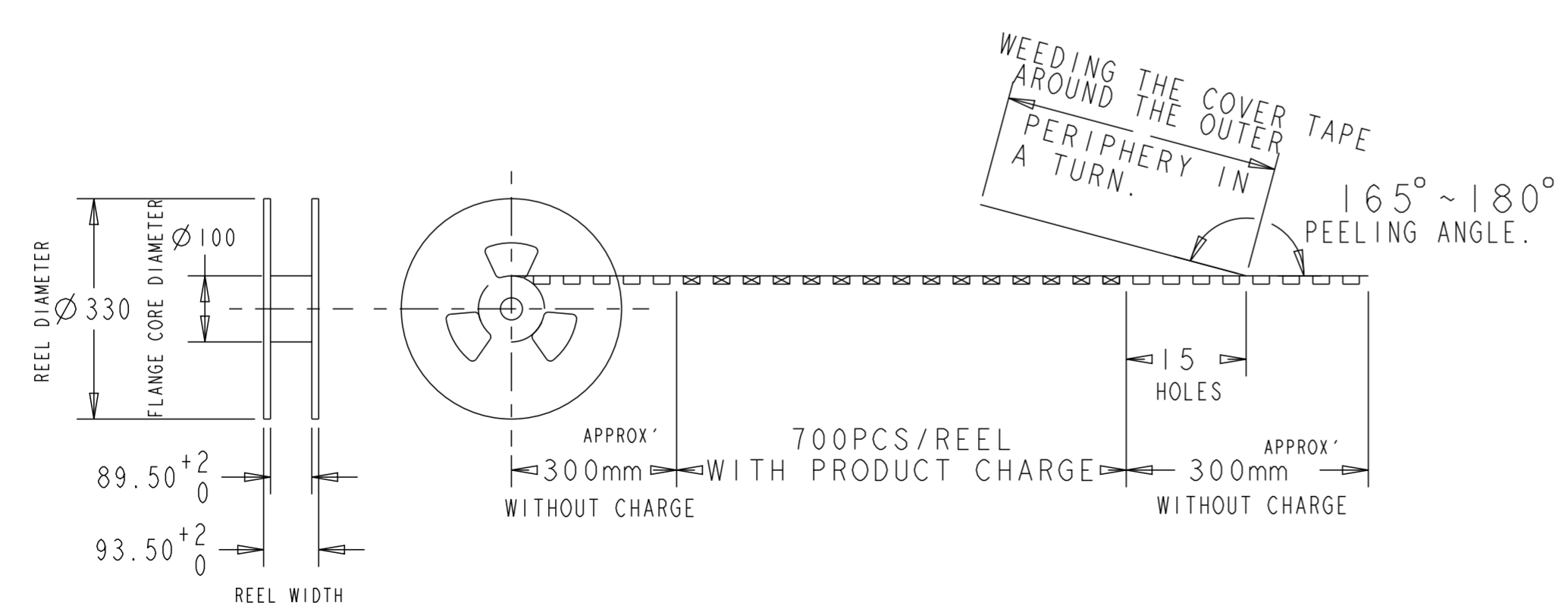
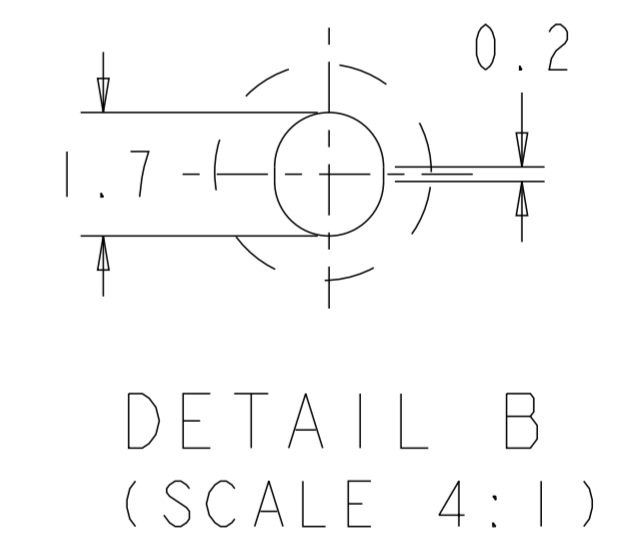
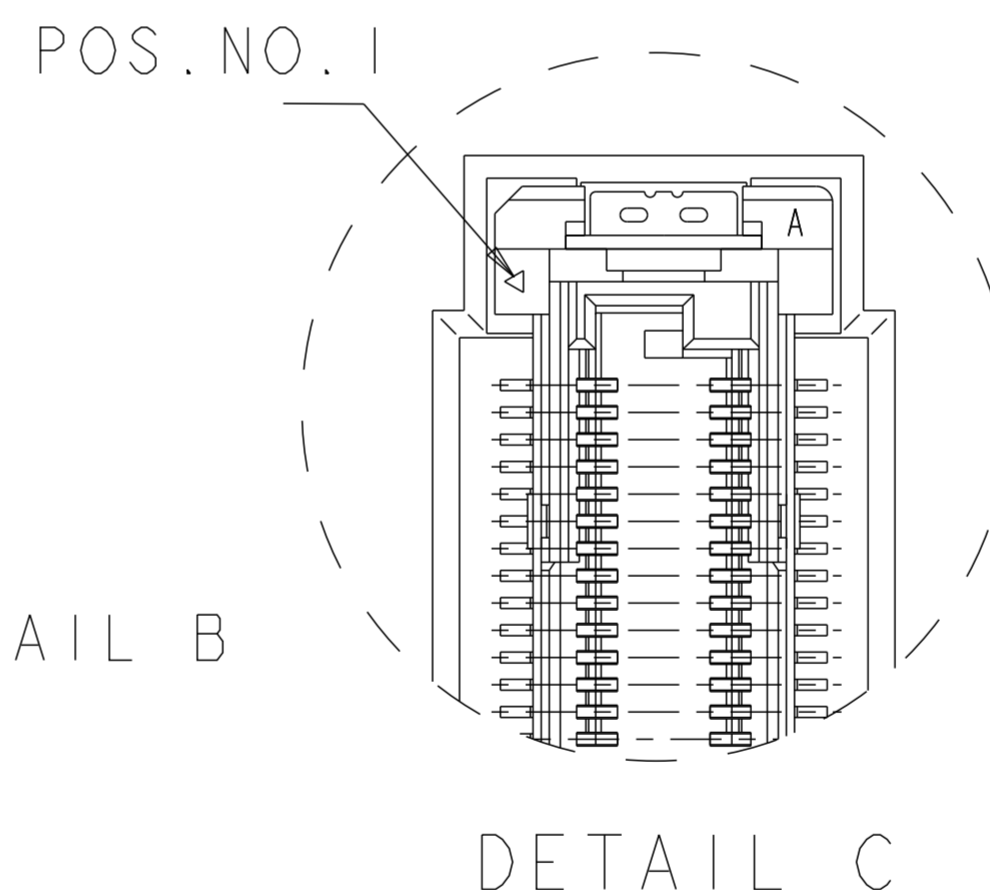
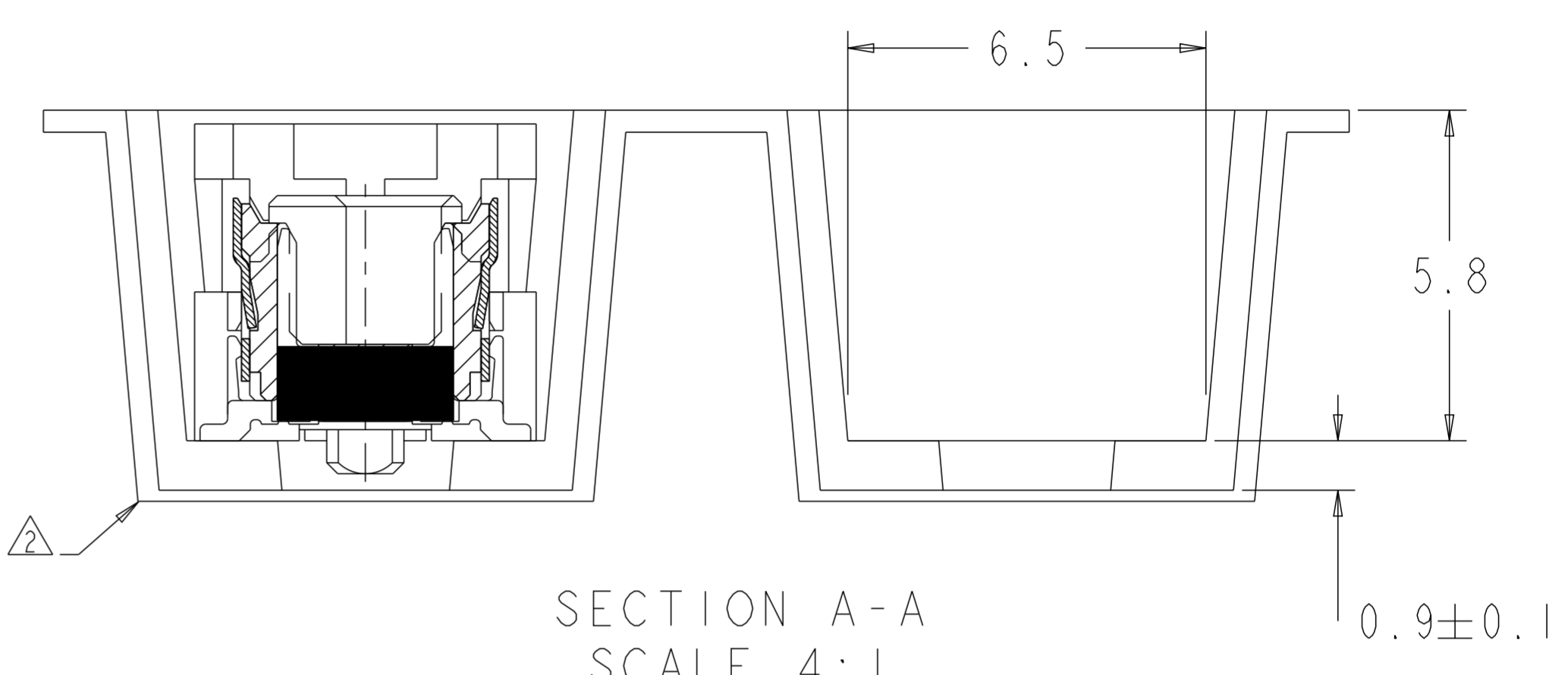
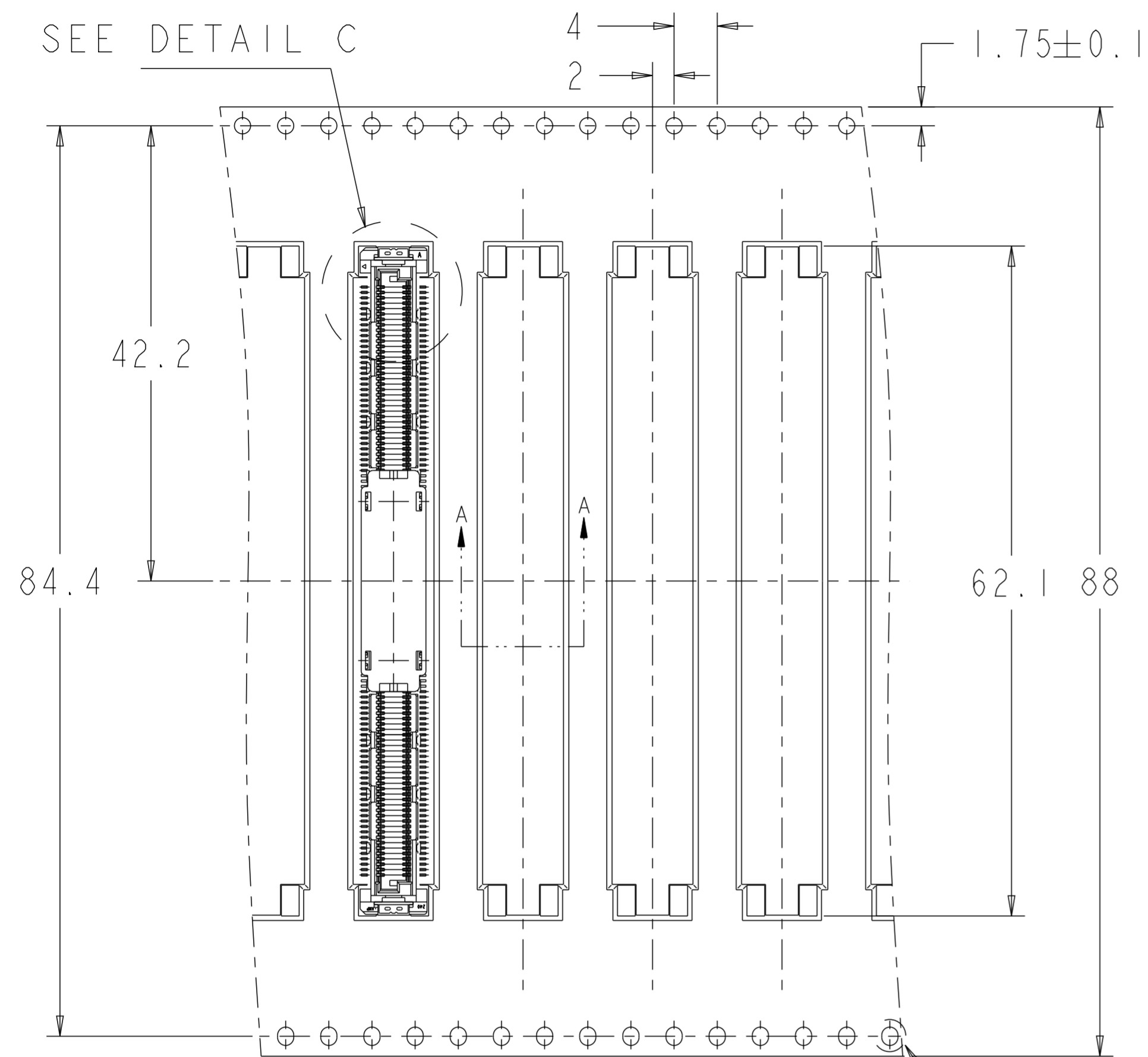
SECT. D-D
(SCALE 2:1)
ROTATED 90° CW



THIS DRAWING IS A CONTROLLED DOCUMENT.		DWN ART LIN 12 JUN 2019	TE Connectivity	
DIMENSIONS: mm		CHK HOPE LU		
TOLERANCES UNLESS OTHERWISE SPECIFIED:		APVD HOPE LU	NAME 5H PLUG ASSY 220POS FH 0.5 BTB 16Gbps WITH G-PLATE	
0 PLC ±1	1 PLC ±0.3	PRODUCT SPEC 108-32658	SIZE A2	CAGE CODE 00779
2 PLC ±0.15	3 PLC ±0.050	APPLICATION SPEC 114-115003	DRAWING NO C-2357787	RESTRICTED TO -
4 PLC ±0.0250	ANGLES ±3°	WEIGHT -	SCALE 1:1 SHEET 3 OF 5 REV A3	
MATERIAL -	FINISH -	CUSTOMER DRAWING		
SEE NOTE 1	SEE NOTE 2			

P	LTR	DESCRIPTION	DATE	DWN	APVD
-	-	SEE SHEET 1	-	-	-

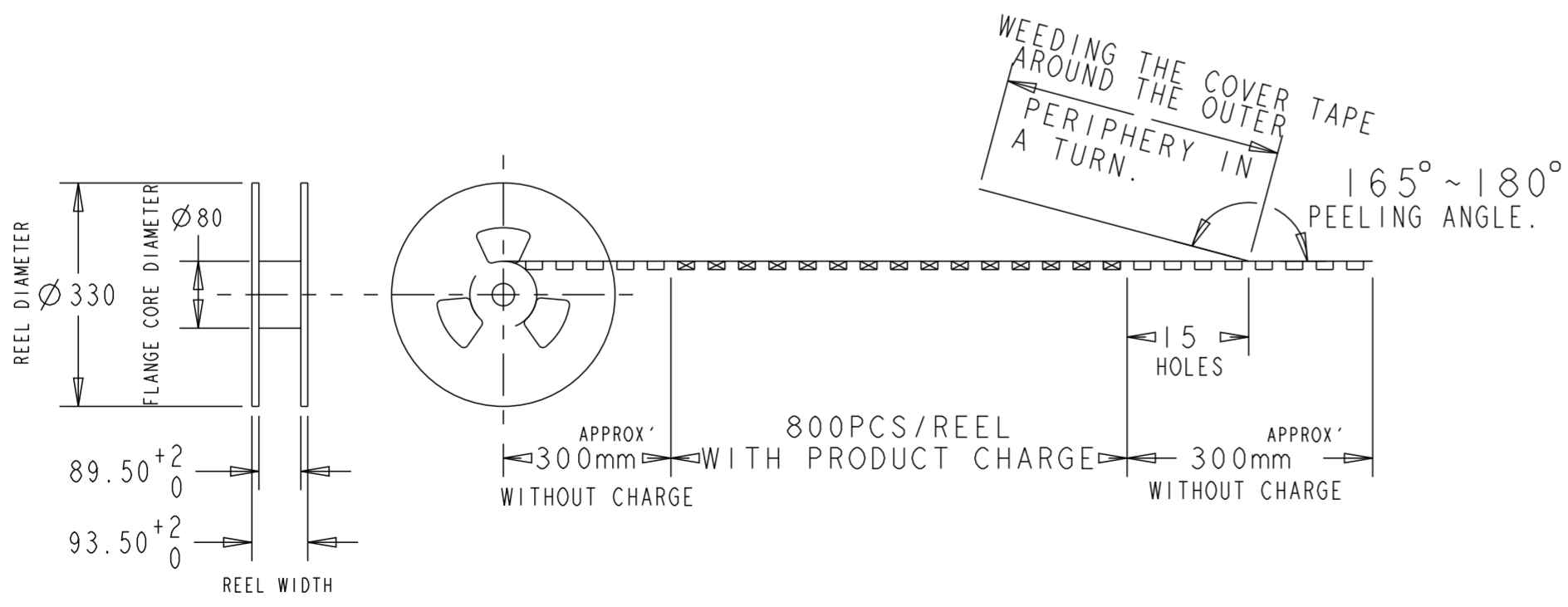
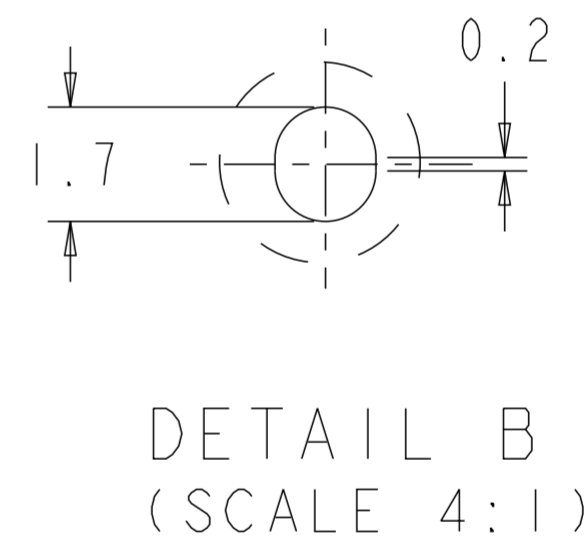
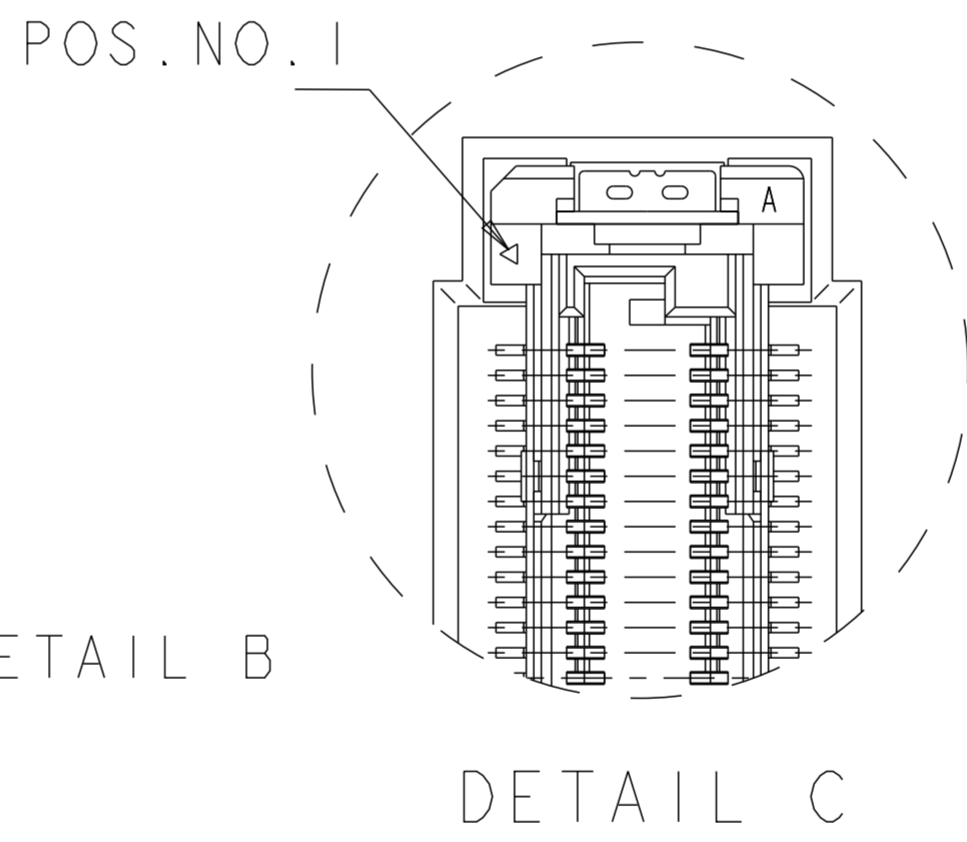
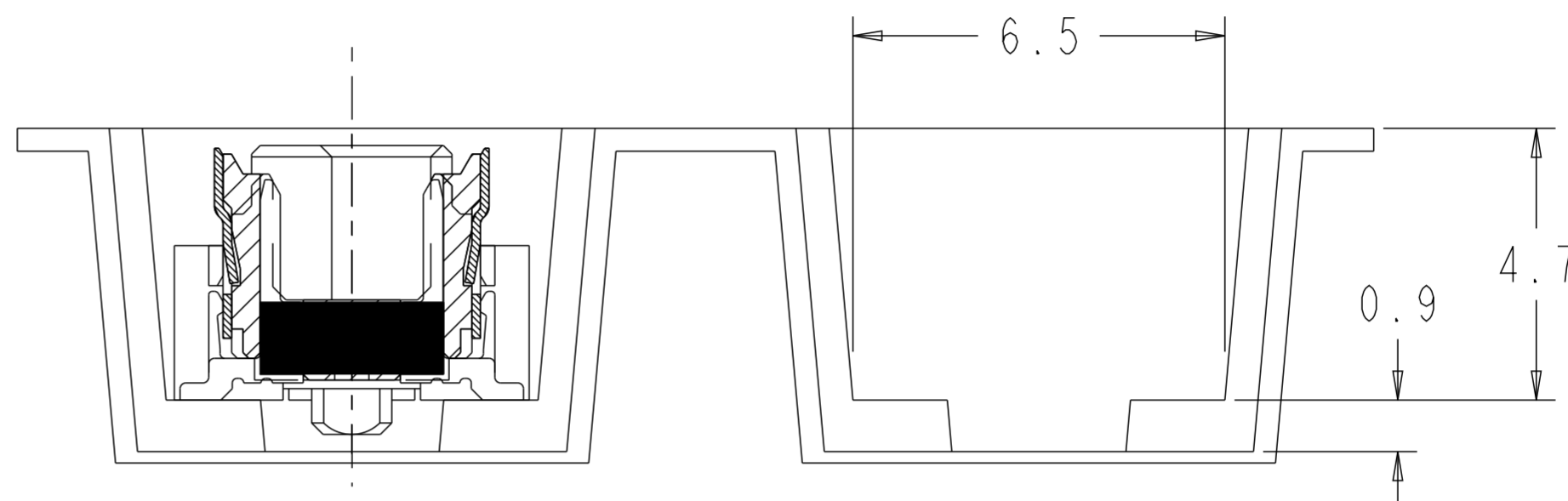
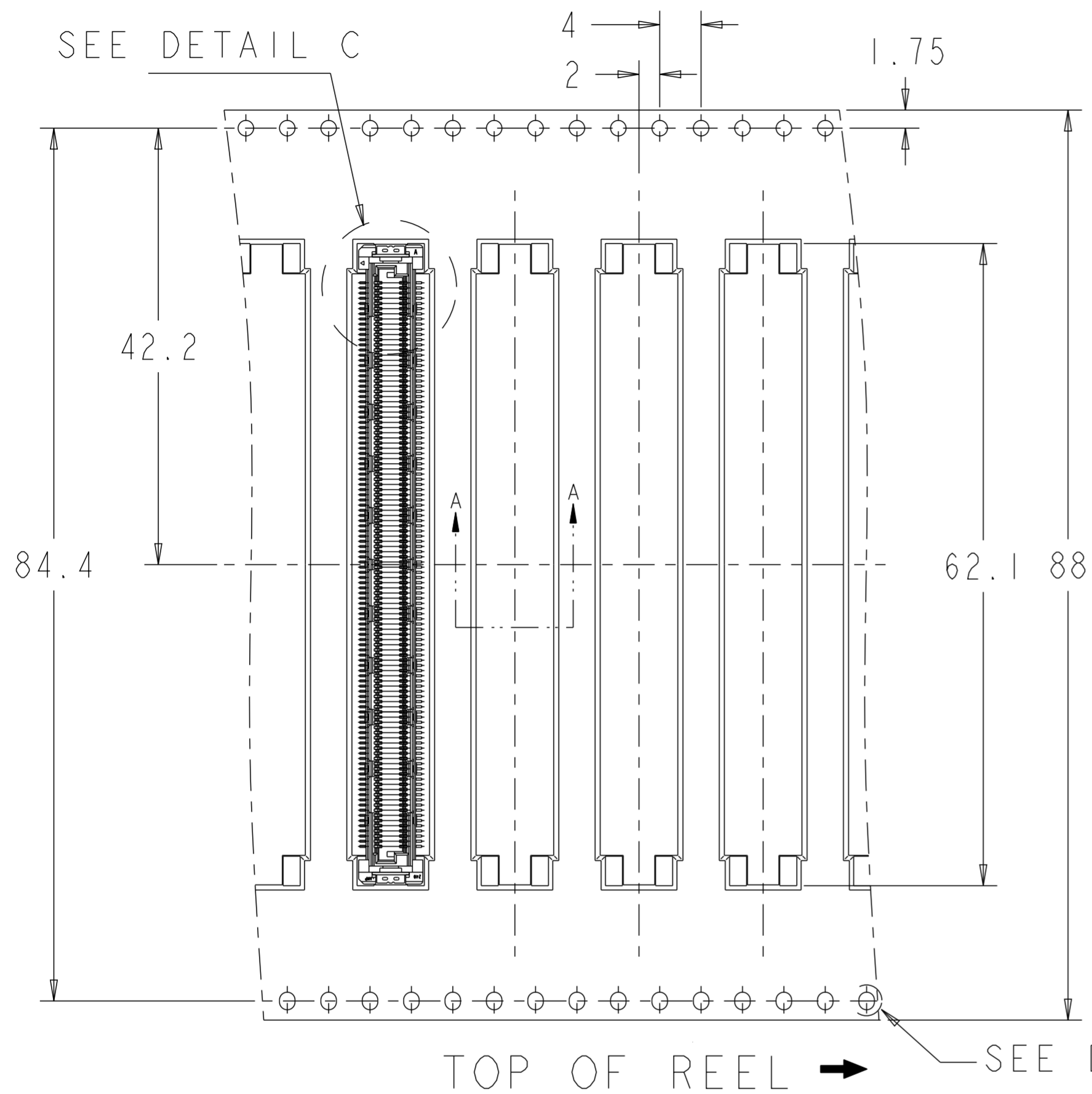
REEL WITH PICK UP CAP
2357787-3



THIS DRAWING IS A CONTROLLED DOCUMENT.		DWN ART LIN 12JUN2019	TE Connectivity	
DIMENSIONS: mm		CHK HOPE LU		
TOLERANCES UNLESS OTHERWISE SPECIFIED:		APVD HOPE LU	PRODUCT SPEC 108-32658	SIZE A2
0 PLC ±1		APPLICATION SPEC 114-115003	CAGE CODE 00779	DRAWING NO C-2357787
1 PLC ±0.3		WEIGHT	RESTRICTED TO	SCALE 1:1
2 PLC ±0.15		CUSTOMER DRAWING	SHEET 4 OF 5	REV A3
3 PLC ±0.050				
4 PLC ±0.0250				
ANGLES ±3°				
FINISH				
SEE NOTE 1				
SEE NOTE 2				

P	LTR	DESCRIPTION	DATE	DWN	APVD
-	-	SEE SHEET 1	-	-	-

REEL WITHOUT PICK UP CAP
2357787-4



THIS DRAWING IS A CONTROLLED DOCUMENT.		DWN ART LIN 12JUN2019	TE Connectivity	
DIMENSIONS: mm		CHK HOPE LU		
TOLERANCES UNLESS OTHERWISE SPECIFIED:		APVD HOPE LU	NAME 5H PLUG ASSY 220POS FH 0.5 BTB 16Gbps WITH G-PLATE	
0 PLC ±1		PRODUCT SPEC 108-32658	SIZE A2	
1 PLC ±0.3		APPLICATION SPEC 114-115003	CAGE CODE 00779	DRAWING NO C-2357787
2 PLC ±0.15		WEIGHT -	RESTRICTED TO -	
3 PLC ±0.050		CUSTOMER DRAWING		
4 PLC ±0.0250		SCALE 1:1 SHEET 5 OF 5 REV A3		
ANGLES ±3°				
FINISH				
MATERIAL SEE NOTE 1				
SEE NOTE 2				