

- 1
- 2
- 3
- 4**
- 5
- 6
- 7
- 8
- 9
- 10
- 11
- 12
- 13
- 14
- 15
- 16
- 17
- 18

MATERIAL

Aluminium anodised in natural colour, semi-matte finish.

END CAPS

Polyamide based (PA) technopolymer, black colour.

STANDARD EXECUTION

Threaded blind holes.

APPLICATIONS

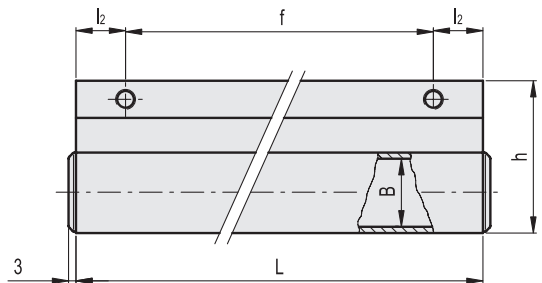
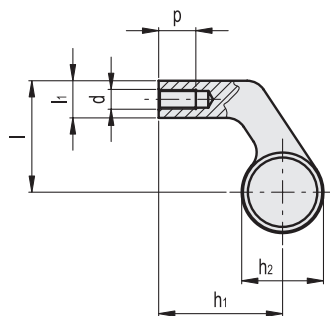
RH-W3 series handles are particularly suitable for assembly on drawers and sliding doors.

SPECIAL EXECUTIONS ON REQUEST

- Black and titanium colour.
- Different lengths.

OTHER STANDARD EXECUTIONS AVAILABLE

Version RH-W3-CLEAN (see page 517).



Conversion Table	
1 mm = 0,039 inch	
mm	inch
250	9.84
350	13.78

Code	f	L	d	p	B	h	h1	h2	l	l1	l2	
RHW3-33.210.11	210	250	M8	15	28	61.5	50	33	45	15	20	843
RHW3-33.310.11	310	350	M8	15	28	61.5	50	33	45	15	20	1173