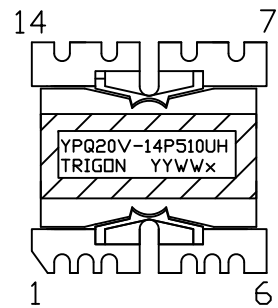
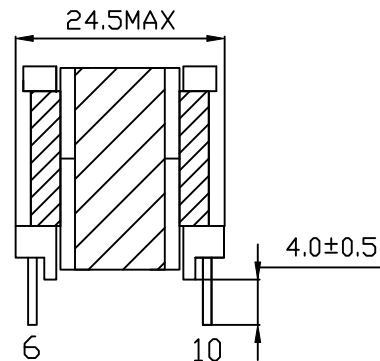


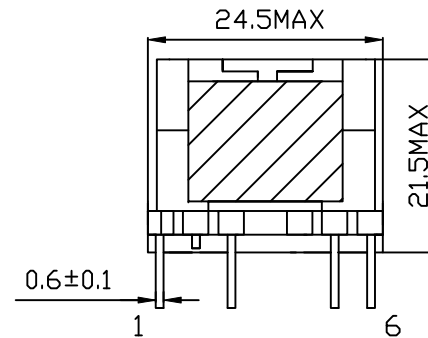
CONFIGURATION & DIMENSIONS: (UNIT:mm)



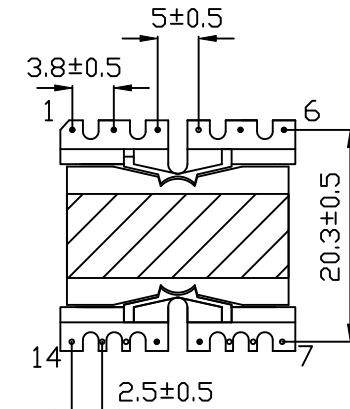
<TOP VIEW>



<SIDE VIEW>

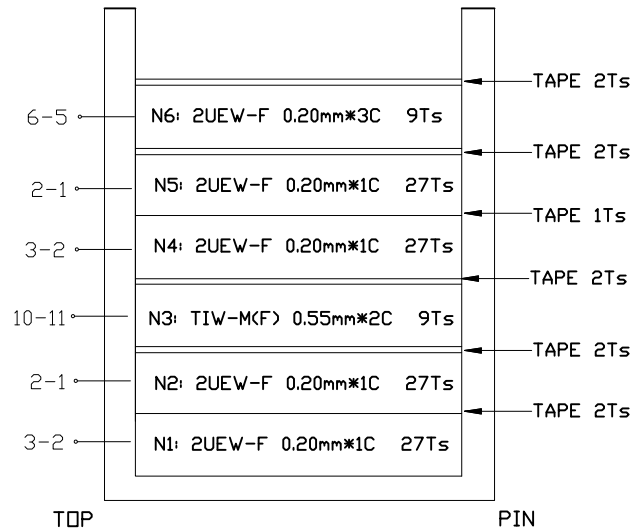


<FRONT VIEW>

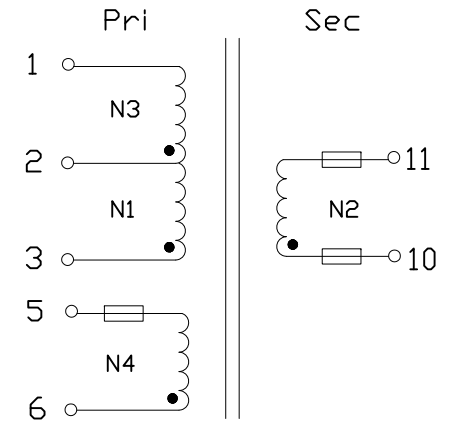


<BOTTOM VIEW>

CROSS SECTION DIAGRAM:



SCHEMATIC:



“•”:START, “□”:TEFLON TUBE

ELECTRICAL SPECIFICATION @25°C

Inductance: @10KHz/0.1V

L(3-1)=510uH±10%

Leakage Inductance: @60KHz/0.1V

LK(3-1)=5.1uH MAX(short other pins)

DCR:

R(3-1)=0.9Ω MAX

R(6-5)=0.12Ω MAX

R(10-11)=33mΩ MAX

Hi-pot:

Pri to Sec: 3000VAC/1mA/60s

Turns Ratio: @20KHz/1V

(3-1):(6-5)=1:0.167±4%

(3-1):(10-11)=1:0.167±4%

NOTE:

1. This part is ROHS compliant
2. Removed PIN4,7,8,9,12,13,14;  
PIN2 CUT OFF 2/3
3. Core fixing tape: 3Ts

TOL UNLESS NOTED				TITLE: Transformer			PART NO: YPQ20V-14P510UH				
.Xi ±0.40mm					APPROVED BY	CHECKED BY	DRAWN BY	UNIT	mm	SCALE	NONE
.XXi ±0.25mm	02	08-19-2019	LL		ES	LL	JK	SHEET	1	OF	1
.XXXi ±0.10mm	01	06-20-2019	JK								
ANGLE: ±3.0°	REV	DATE	SIGN	TRIGON COMPONENTS, INC. www.trigoncomponents.com							