

ENTER DESCRIPTION EC NO: DG2006-0186 DRWN:PDAI CHKD: APPR:TKAN	2006/03/09 2006/03/09 2006/03/10	QUALITY SYMBOLS ▽=0 ◻=0	GENERAL TOLERANCES (UNLESS SPECIFIED)		DIMENSION STYLE MM/IN		SCALE ---	DESIGN UNITS METRIC	THIRD ANGLE PROJECTION		
	DESCRIPTION		mm	INCH	DRAWN BY	DATE	TITLE				
	REV		4 PLACES	± ---	± ---	PDAI	2006/03/07	DVI_A(M)-VGA(F) ADAPTER			
			3 PLACES	± ---	± ---	CHECKED BY	DATE	MOLEX INCORPORATED			
			2 PLACES	± ---	± ---	ZXDENG	2006/03/07	MATERIAL NO. 88741-8700			
	1 PLACE	± ---	± ---	APPROVED BY	DATE	DOCUMENT NO. SD-88741-008		SHEET NO. 1 OF 2			
			ANGULAR ± ---°	BORON	2006/03/07	THIS DRAWING CONTAINS INFORMATION THAT IS PROPRIETARY TO MOLEX INCORPORATED AND SHOULD NOT BE USED WITHOUT WRITTEN PERMISSION					
DRAFT WHERE APPLICABLE MUST REMAIN WITHIN DIMENSIONS											

NOTE:1. MOLD WITH SNOW WHITE PVC RESIN 887800077 FOR ADAPTOR COVER.

2. DVI CONNCETOR SPECIFICATION

2.1 REFER TO PRODUCT SPEC. PS74320-0001.

2.2 CONTACT PLATING: AU FLASH.

3. ELECTRICAL PERFORMANCE

3.1 INSULATION RESISANCE: 20 M Ohms Min

3.2 DIELECTRIC STRENGTH: 300V DC FOR 10 MILLISECONDS.

3.3 IMPEDANCE: 75 ± 10%Ohms ON THE CO-AXIAL WIRES.

4. ADAPTOR SPECIFICATION

4.1 REFER TO PRODUCT SPEC. PS88741-8700.

5. THIS PRODUCT MUST MEET MX RoHS COMPLIANCE.

6. CONNECTION DIAGRAM

SHIELD	SHIELD	GROUND
PIN R6,G7,B8	C 5	ANLOG GROUND
PIN 13	C 4	HORIZONTAL SYNC
PIN 3	C 3	ANLOG
PIN 2	C 2	ANLOG
PIN 1	C 1	ANLOG
PIN 5,10	PIN 15	GROUND(+5V & HV SYNC)
PIN 9	PIN 14,16	POWER +5V/HOT PLUG DETECT
PIN 14	PIN 8	VERTICAL SYNC
PIN 12	PIN 7	DDC DATA
PIN 15	PIN 6	DDC CLOCK
VGA	DVI_A	CABLE FUNCTION

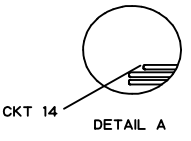
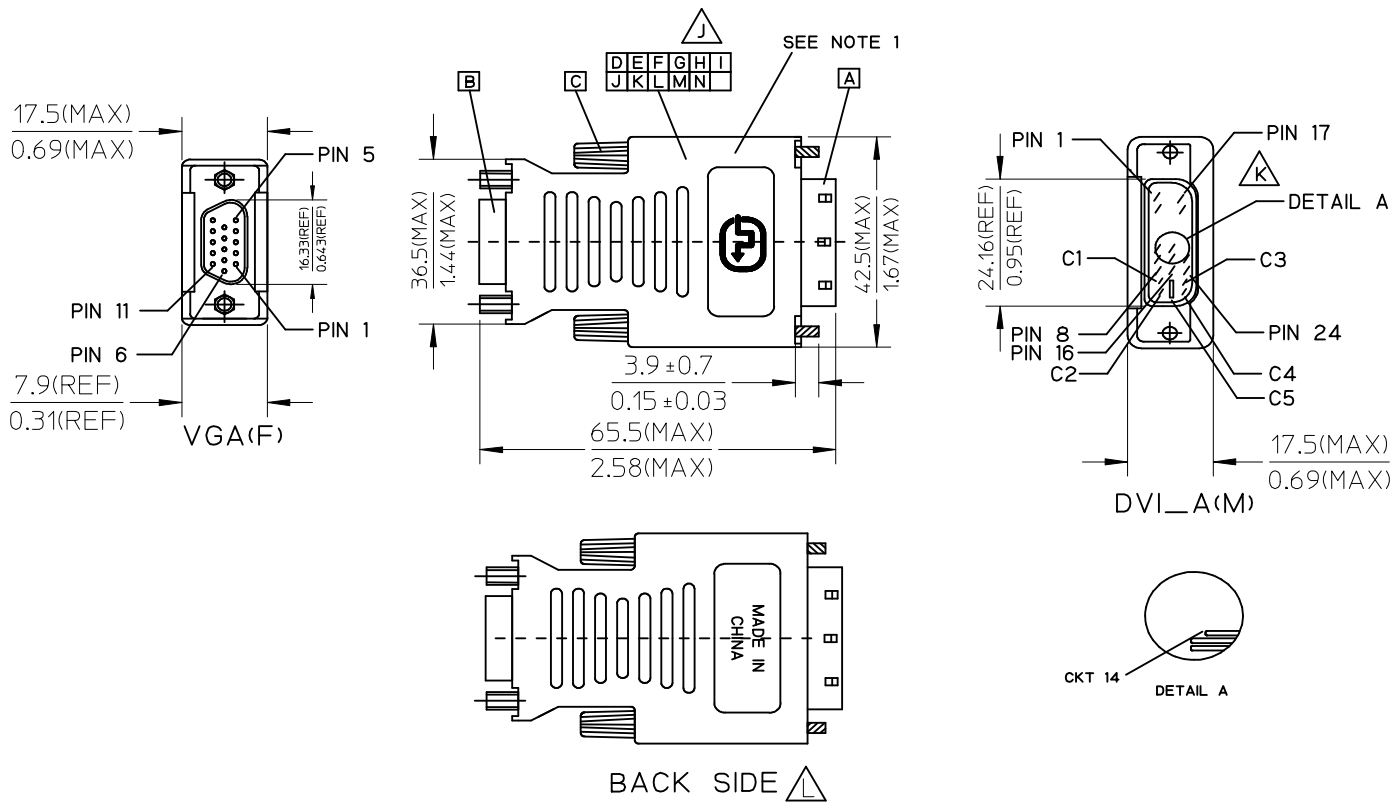
7. MATERIAL LIST

C	SCREW (WHITE) 887806002
B	FEMALE 15C D-SUB CONNECTOR 887899318
A	DVI_A G/F CONNECTOR 743230011
ITEM	DESCRIPTION

ENTER DESCRIPTION EC NO: DG2006-0186 DRWN:PDAI CHKD: APPR:TKAN	2006/03/09 2006/03/09 2006/03/10	QUALITY SYMBOLS 	GENERAL TOLERANCES (UNLESS SPECIFIED)		DIMENSION STYLE MM/IN		SCALE ---	DESIGN UNITS METRIC	THIRD ANGLE PROJECTION	
				mm INCH	DRAWN BY PDAI	DATE 2006/03/07	TITLE DVI_A(M)-VGA(F) ADAPTER			
				4 PLACES ± --- ± --- 3 PLACES ± --- ± --- 2 PLACES ± --- ± --- 1 PLACE ± --- ± ---	CHECKED BY ZXDENG	DATE 2006/03/07	APPROVED BY BORON			
				ANGULAR ± ---°	DATE 2006/03/07	MATERIAL NO. 88741-8700		DOCUMENT NO. SD-88741-008	SHEET NO. 2 OF 2	
DRAFT WHERE APPLICABLE MUST REMAIN WITHIN DIMENSIONS			THIS DRAWING CONTAINS INFORMATION THAT IS PROPRIETARY TO MOLEX INCORPORATED AND SHOULD NOT BE USED WITHOUT WRITTEN PERMISSION							

REVISIONS

ECN NO	REVISION	DATE	DESCRIPTION	CHANGER
CY12-8394	J	FEB.08.12	THE CUSTOMER REQUIRE ADD HST TO THE RGB WIRE	TLIN
CY13-6281	K	MAR.20.13	ADD ERROR-PROOF STRUCTURE IN THE OUTER COVER	TLIN
CY14-6482	L	APR.14.14	UPDATE BACK VIEW	AHOU



ENTER DESCRIPTION EC NO: CPG2014-3142 DRWN: XJGU001 CHKD: AHOU APPR: FNIE	DESCRIPTION 2014/04/16 2014/04/16 2014/04/23	QUALITY SYMBOLS	GENERAL TOLERANCES (UNLESS SPECIFIED)		DIMENSION STYLE		SCALE	DESIGN UNITS	THIRD ANGLE PROJECTION
		$\nabla = 0$ $\nabla = 0$ $\nabla = 0$	mm	INCH	MM/IN	TITLE	METRIC		
		4 PLACES \pm --- \pm --- 3 PLACES \pm --- \pm --- 2 PLACES ± 0.25 \pm --- 1 PLACE ± 0.5 \pm --- 0 PLACE \pm --- \pm ---	DRAWN BY XJGU001 DATE 2013/04/10		CHECKED BY HW.GAO DATE 2013/04/10		APPROVED BY XAWANG DATE 2013/04/12		
		ANGULAR $\pm 3^\circ$		MATERIAL NO. 887418700		DOCUMENT NO. SD-88741-8700		SHEET NO. 1 OF 2	
DRAFT WHERE APPLICABLE MUST REMAIN WITHIN DIMENSIONS		SIZE $\nabla 4$		THIS DRAWING CONTAINS INFORMATION THAT IS PROPRIETARY TO MOLEX INCORPORATED AND SHOULD NOT BE USED WITHOUT WRITTEN PERMISSION					

7

6

5

4

3

2

1

NOTES:

1. MATERIAL:

1.1 MOLD WITH SNOW WHITE PVC RESIN FOR ADAPTOR COVER.

2. DVI CONNECTOR SPECIFICATION:

2.1 REFER TO PRODUCT SPEC. PS74320-0001.

2.2 CONTACT PLATING: GOLD FLASH.

3.ELECTRICAL PERFORMANCE:

3.1 INSULATOR RESISTANCE: 20M OHMS MIN.

3.2 DIELECTRONIC STRENGTH: 300V DC FOR 10 MILLISECONDS.

3.3 IMPEDANCE: 75±10% OHMS ON THE CO-AXIAL WIRES.

4.THIS PRODUCT MUST MEET THE EU RoHS CHEMICAL

SUBSTANCES SPECIFICATION FOR PRODUCT(EU 2002/95/EC)

SHIELD	SHIELD	GROUND
PIN R6.G7.B8	C 5	ANLOG GROUND
PIN 13	C 4	HORIZONTAL SYNC
PIN 3	C 3	ANLOG
PIN 2	C 2	ANLOG
PIN 1	C 1	ANLOG
PIN 5,10	PIN 15	GROUND(+5V & HV SYNC)
PIN 9	PIN 14,16	POWER +5V/HOT PLUG DETECT
PIN 14	PIN 8	VERTICAL SYNC
PIN 12	PIN 7	DDC DATA
PIN 15	PIN 6	DDC CLOCK
VGA	DVI_A	CABLE FUNCTION

ITEM	DESCRIPTION	L	QTY.
N	HOT SHRINK TUBE	A/R	3
M	UL1061 AWG28 BROWN	A/R	1
L	UL1061 AWG28 GREEN	A/R	1
K	UL1061 AWG28 YELLOW	A/R	1
J	UL1061 AWG28 ORANGE	A/R	1
I	UL1061 AWG28 RED	A/R	1
H	UL1061 AWG28 BLACK	A/R	1
G	COAXIAL #30 RED	A/R	1
F	COAXIAL #30 GREEN	A/R	1
E	COAXIAL #30 BLUE	A/R	1
D	COPPER FOIL		1
C	SCREW (WHITE)		2
B	FEMALE 15C D-SUB CONNECTOR		1
A	DVI_A G/F CONNECTOR		1

ENTER DESCRIPTION EC NO: CPG2014-3142 DRW: XJGU001 CHKD: AHO APPR: FNIE	DESCRIPTION REV	QUALITY SYMBOLS	GENERAL TOLERANCES (UNLESS SPECIFIED)		DIMENSION STYLE MM/IN		SCALE 1:1	DESIGN UNITS METRIC	THIRD ANGLE PROJECTION		
		F=0 F=0 F=0	4 PLACES	± ---	± ---	DRAWN BY XJGU001	DATE 2013/04/10	TITLE DVI_A(M)-VGA(F) ADAPTOR			
			3 PLACES	± ---	± ---	CHECKED BY HW.GAO	DATE 2013/04/10				
			2 PLACES	± 0.25	± ---	APPROVED BY XAWANG	DATE 2013/04/12				
			1 PLACE	± 0.5	± ---	MATERIAL NO. 887418700		DOCUMENT NO. SD-88741-8700	SHEET NO. 2 OF 2		
0 PLACE	± ---	± ---	ANGULAR ± 3 °		DRAFT WHERE APPLICABLE MUST REMAIN WITHIN DIMENSIONS		THIS DRAWING CONTAINS INFORMATION THAT IS PROPRIETARY TO MOLEX INCORPORATED AND SHOULD NOT BE USED WITHOUT WRITTEN PERMISSION				

6

5

4

3

2

1