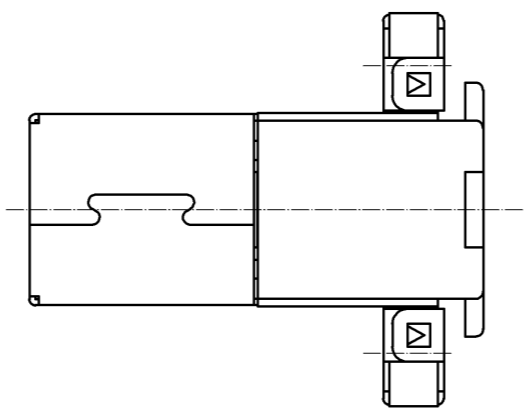
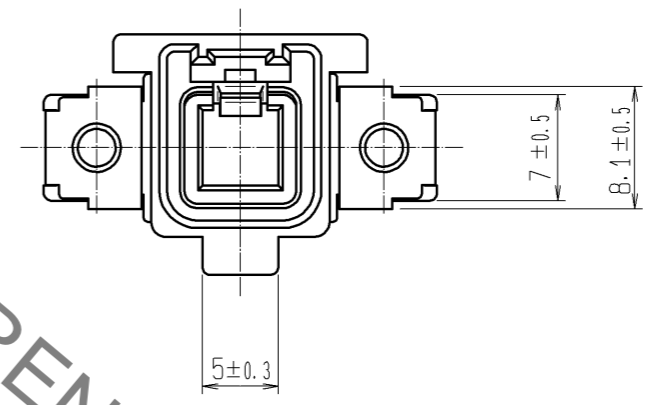
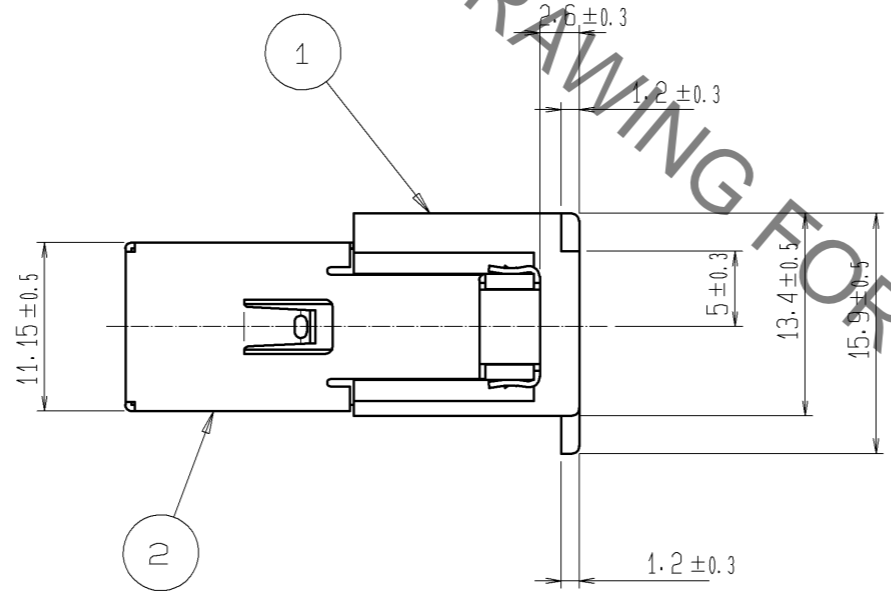
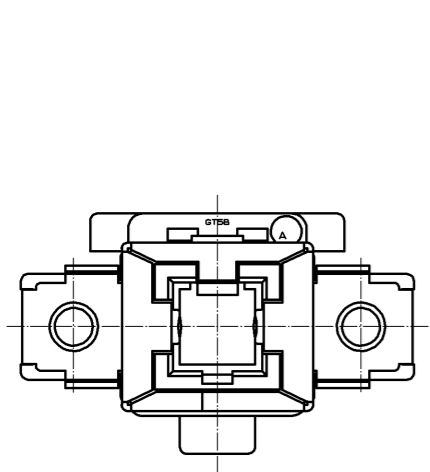
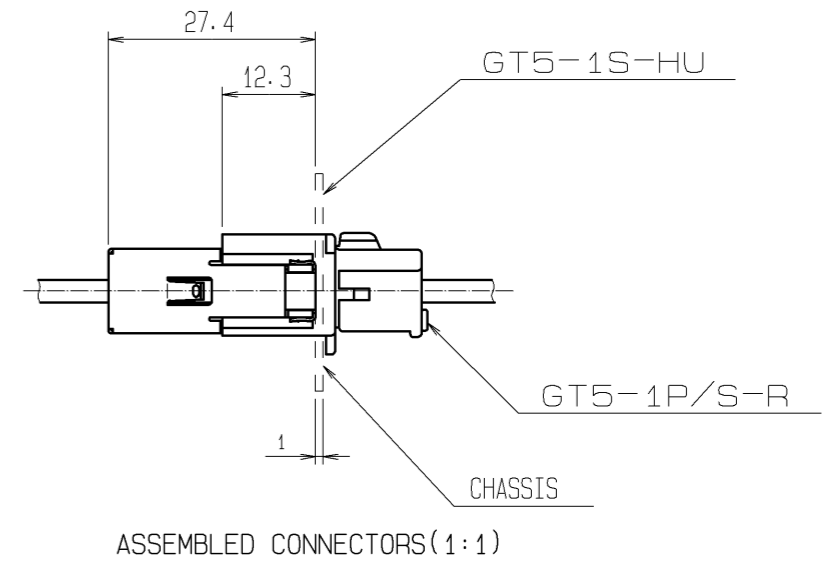
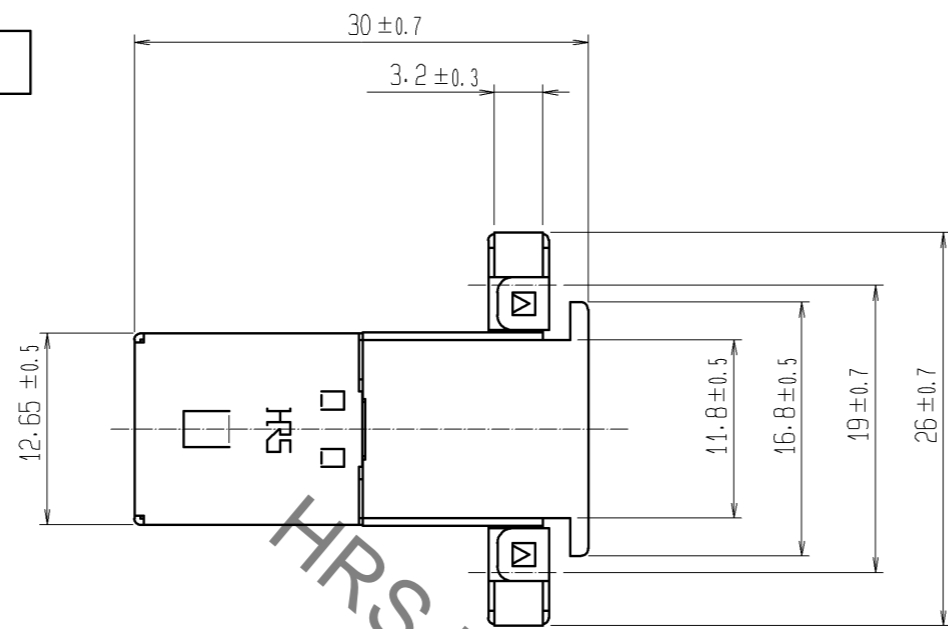


May.1.2023 Copyright 2023 HIROSE ELECTRIC CO., LTD. All Rights Reserved.
In case of consideration for using Automotive equipment / device which demand high reliability, kindly contact our sales window correspondents.

ELV. RoHS COMPLIANT



HRS DRAWING FOR REFERENCE

NOTE1. FIXING SCREW SHALL BE NOMINAL DIAMETER 3mm
IN ACCORDANCE WITH CLASS 1 OR 4 OF JIS B1115, 1122.

1	PBT	LIGHT GRAY	2	PHOSPHOR BRONZE	TIN PLATED		
NO.	MATERIAL	FINISH . REMARKS	NO.	MATERIAL	FINISH . REMARKS		
UNITS mm		SCALE 2 : 1	COUNT 	DESCRIPTION OF REVISIONS	DESIGNED	CHECKED	DATE
HRS HIROSE ELECTRIC CO., LTD.		APPROVED : KS. SATOH	08.06.11	DRAWING NO.	EDC3-165374-01		
		CHECED : NH. NAKATA	08.06.10	PART NO.	GT5B-1PP-HU(70)		
		DESIGNED : MO. OKADA	08.06.09	CODE NO.	CL755-0051-7-70		
		DRAWN : MH. SHOUJI	08.05.22				