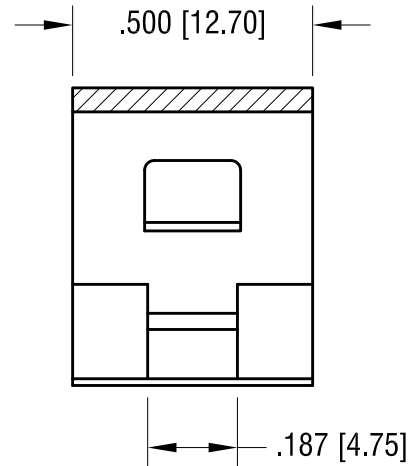
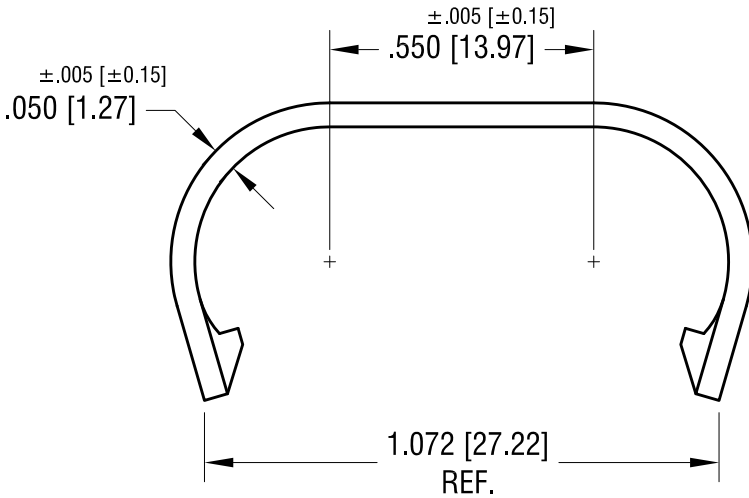
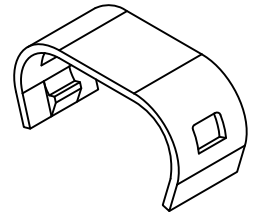
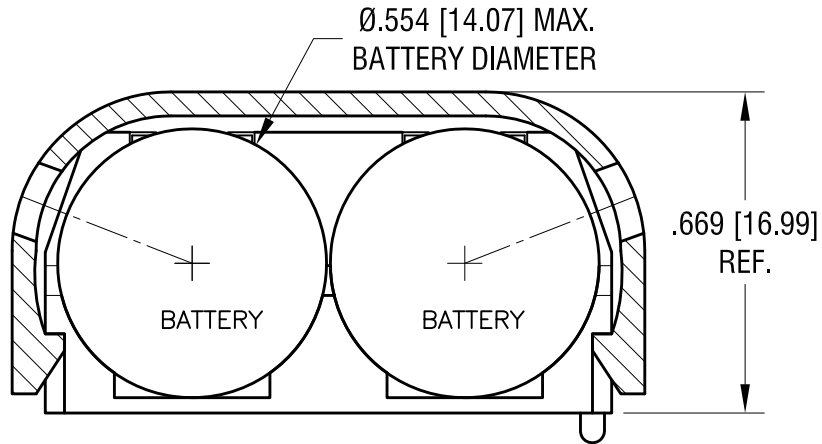


THIS DOCUMENT IS THE PROPERTY OF KEYSTONE ELECTRONICS CORP. AND SHALL NOT BE REPRODUCED, DISTRIBUTED OR USED AS A BASIS FOR MANUFACTURE WITHOUT PRIOR WRITTEN PERMISSION FROM KEYSTONE ELECTRONICS CORP.



**KEYSTONE ELECTRONICS CORP.**

www.keyelco.com • ASTORIA, N.Y. 11105-2017 • Tel (718) 956-8900

PART NAME

BATTERY HOLDER COVER

MATERIAL

POLYCARBONATE, 10% GLASS FILLED, BLACK

FINISH

-

DRN BY

NT

DATE

12.13.10

APP'D

SCALE

2.5X

TOLERANCES

INCH [MM]

DECIMAL

±.010 [±0.25]

ANGULAR

± 1°

UNLESS OTHERWISE SPECIFIED

CODE

C

DWG NO.

1012C

8.30.16

CHANGE AS PER ECN 160-080

B

5.12.15

CHANGE AS PER ECN 15-056

A

DATE

DESCRIPTION

REV.