

## Introduction

The 8T49N1012 evaluation board user guide is intended to help the user power-up and quick-start the 8T49N1012 evaluation board. The scope of the user guide is limited to the physical connectivity of the board and does not address the programming section of it.

This guide will model two set-ups: Set-up 1 will use a clock generator as input and Set-up 2 will use a crystal as input source.

### Set-up 1:

- CLK/nCLK will be used as input
- Q0/nQ0 will be used as output

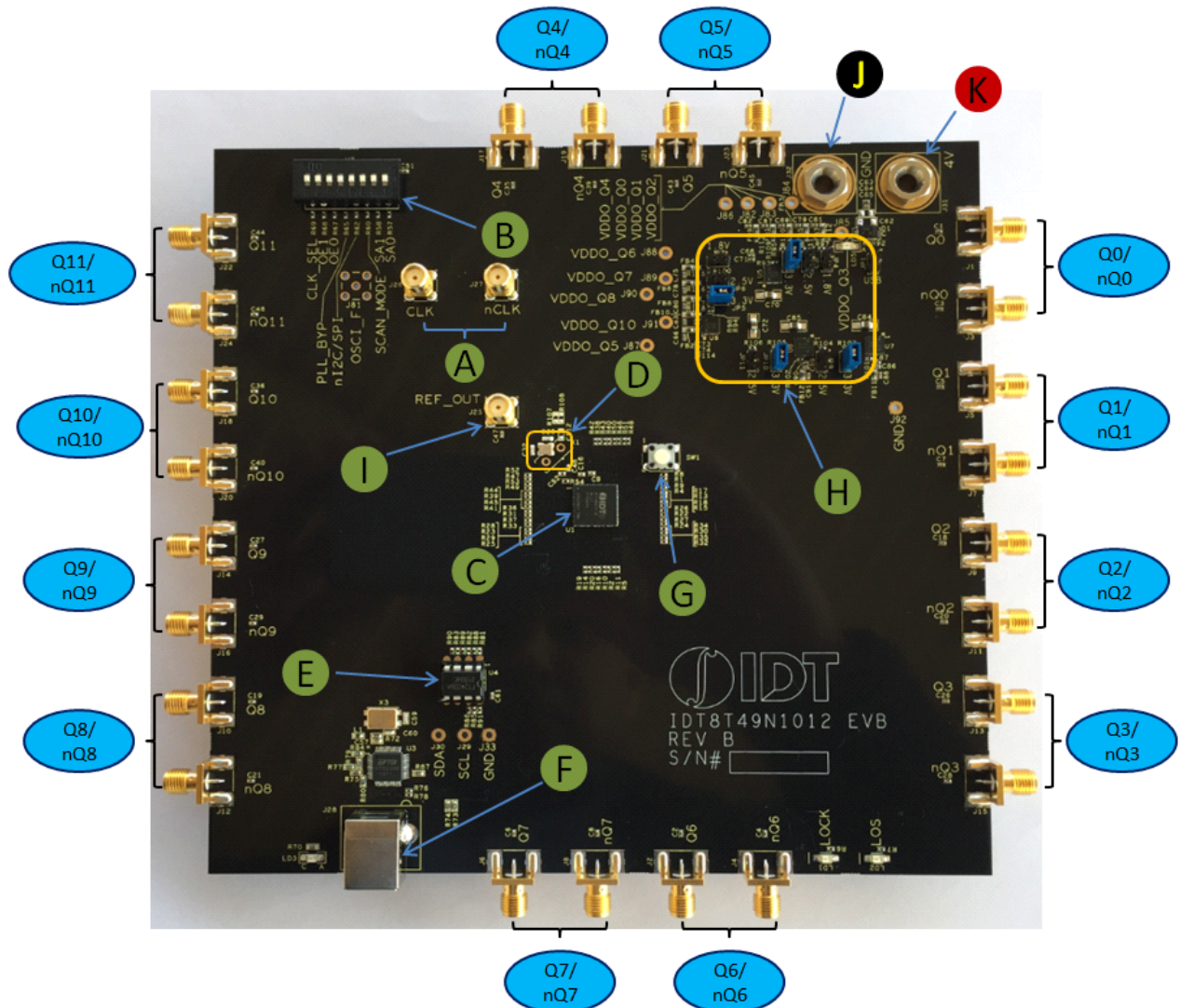
### Set-up 2:

- OSCI/OSCO will be used as input
- Q0/nQ0 will be used as output

## Board Overview

Use [Figure 1](#) to identify the power supply jacks, input and output SMA connectors, USB connector, crystal, power selection jumpers, dip switch, device under test, EEPROM, Reset button, CLK/nCLK Inputs and Ref\_Out.

Figure 1. 8T49N1012 Evaluation Board Top View



## Requirements

- Power supply with 4V and ~800mA rating
- Signal generator (10MHz to 600MHz Input and an amplitude from 0.4V to 0.8V) or crystal
- Signal analyzer
- Two banana plug cables (red and black) to connect the power supply source to the board
- Two SMA cables to connect the signal generator to the CLK/nCLK inputs
- Two SMA cables to connect Q0/nQ0 to the signal analyzer
- 50Ω to ground terminators to terminate the unused outputs
- USB cable to connect the board to a laptop and program the device

## DIP Switch Pin

**Table 1: DIP Switch Pin Description**

Pin Name	Description
CLK_SEL	Clock select pin. 0: CLK/nCLK; 1: XTAL (Default)
OE1	Output enable. LVCMOS/LVTTL interface levels
OE0	Output enable. LVCMOS/LVTTL interface levels.
PLL_BYP	Bypass Selection. Allow PLL references to bypass PLL and appear at Q[0:3]. LVTTL / LVCMOS interface levels.
ni <sup>2</sup> C/SPI	Serial Interface Mode Selection. LVCMOS Input Levels: 0 = I <sup>2</sup> C Mode; 1 = SPI Mode
SCAN_MODE	(Factory Use Only)
SA1	I <sup>2</sup> C lower address bit A1 / SPI interface serial data input signal.
SA0	I <sup>2</sup> C lower address bit A0 / SPI interface chip select signal.

## Legend–Evaluation Board

### Inputs

CLK/nCLK	Clock input lines. Can accept LVPECL, LVDS, LVHSTL, HCSL or LVCMOS input clock.
OSCI/OSCO	Crystal input lines.

### Outputs

Q0/nQ0	Can be a differential pair or two individual single-ended outputs.
Q1/nQ1	Can be a differential pair or two individual single-ended outputs.
Q2/nQ2	Can be a differential pair or two individual single-ended outputs.
Q3/nQ3	Can be a differential pair or two individual single-ended outputs.
Q4/nQ4	Can be a differential pair or two individual single-ended outputs.
Q5/nQ5	Can be a differential pair or two individual single-ended outputs.
Q6/nQ6	Can be a differential pair or two individual single-ended outputs.
Q7/nQ7	Can be a differential pair or two individual single-ended outputs.
Q8/nQ8	Can be a differential pair or two individual single-ended outputs.
Q9/nQ9	Can be a differential pair or two individual single-ended outputs.
Q10/nQ10	Can be a differential pair or two individual single-ended outputs.
Q11/nQ11	Can be a differential pair or two individual single-ended outputs.

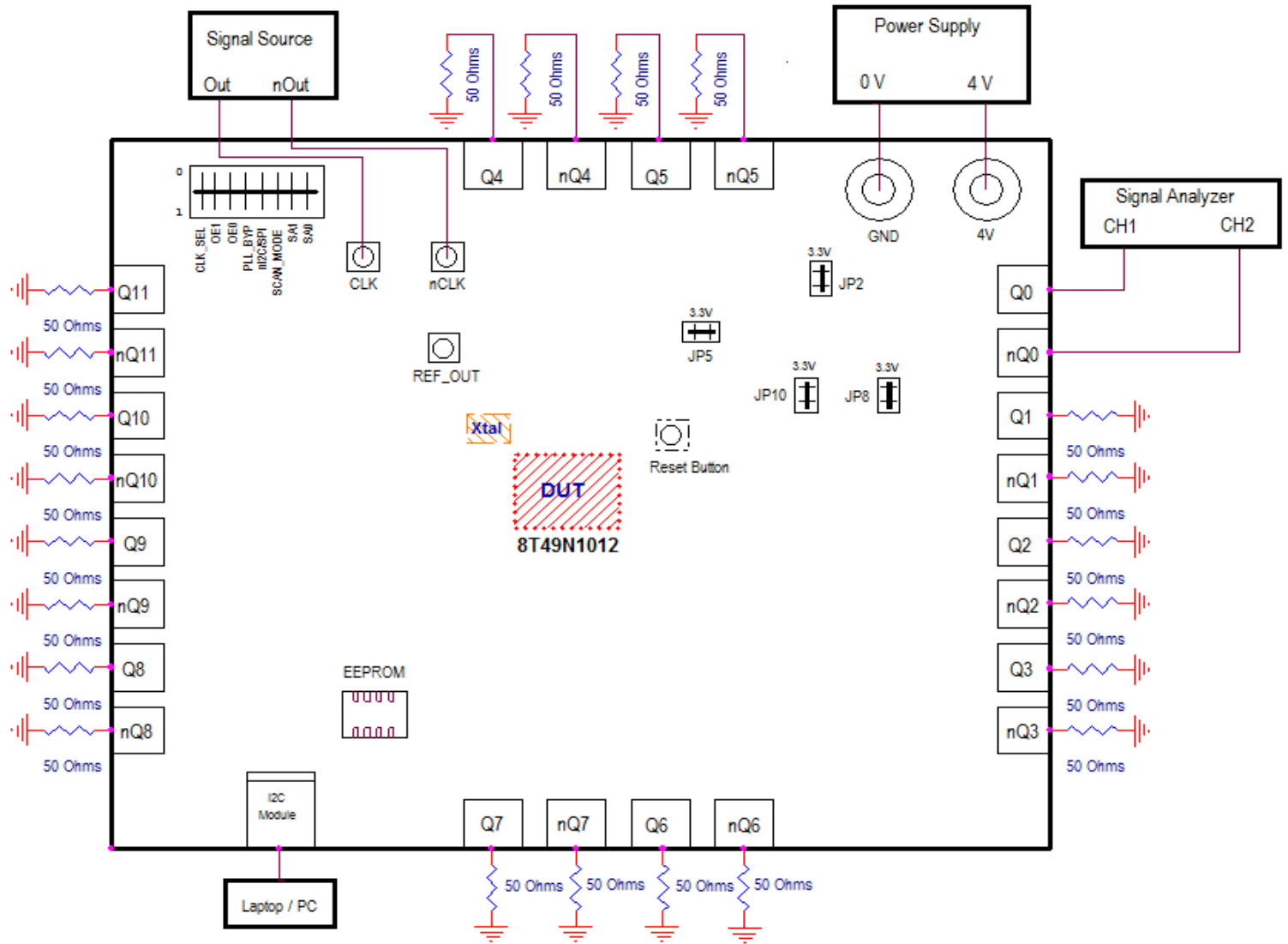
**Other**

A	CLK and nCLK Inputs
B	Dip Switch for DC control signals (CLK_SEL, PLL_BYP, etc).
C	Device Under Test - 8T49N1012
D	3.2 x 2.5 mm SMD Fox-603-38.88-4 Crystal.
E	EEPROM - AT24CO4C.
F	USB connector.
G	RESET Button.
H	Power Selection Headers and Jumpers.
I	REF_OUT. Single-ended 1.8V LVCMOS Output.
J	Ground Connection Jack.
K	VDD Connection Jack.

**Quick Set-Up 1: Using Clock Generator as Input**

- 1) Set power supply to 4V, single supply and set CLK\_SEL to "0" on Dip Switch to select Clock as input.
- 2) Place jumpers on JP2, JP5, JP8 and JP10 to set VDD, VDDO and VDDA to 3.3V (if different voltage required, place jumper on the corresponding header).
- 3) Connect the black GND power supply cable to the GND connector of the 8T49N1012 board.
- 4) Connect the red 4 V power supply cable to the 4 V connector of the board.
- 5) Connect the signal generator's SMA cables to CLK/nCLK (*10MHz to 600MHz Input and amplitude from 0.4V to 0.8V*). 50 $\Omega$  to GND termination installed on board by default.
- 6) Connect two SMA cables from the Q0/nQ0 outputs of the board to the signal analyzer.
- 7) And finally, connect the USB cable from the laptop to the board's USB connector and program the device using Timing Commander.

Figure 2. Evaluation Board Powered Up and Connectivity Using Clock as Input

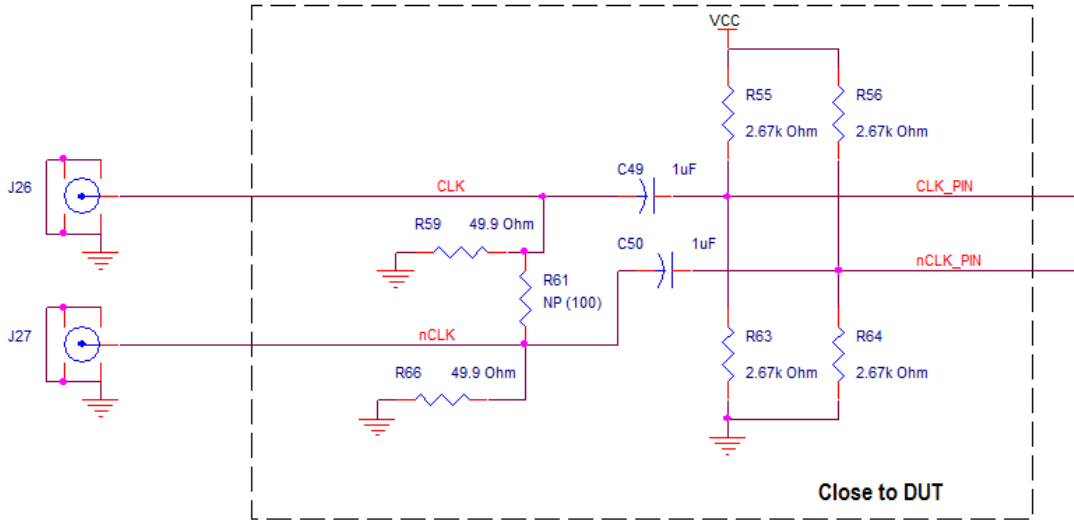


## Schematics

The following figures are schematics that are applicable when using a signal generator as input. The complete schematic is available in a separate document. These are the input and output termination schematics.

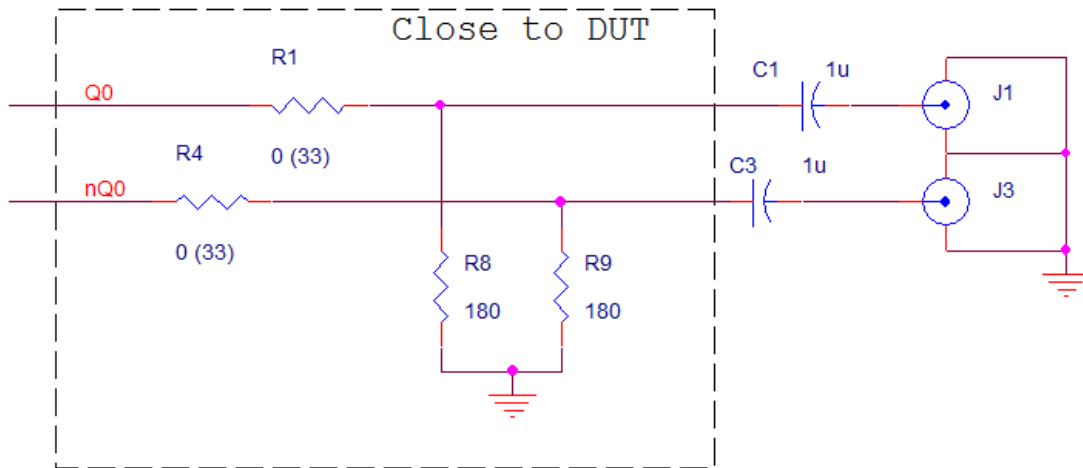
The input schematic is shown in [Figure 3](#).

**Figure 3. Input Schematic (Set-up #1)**



The output schematic is shown in [Figure 4](#).

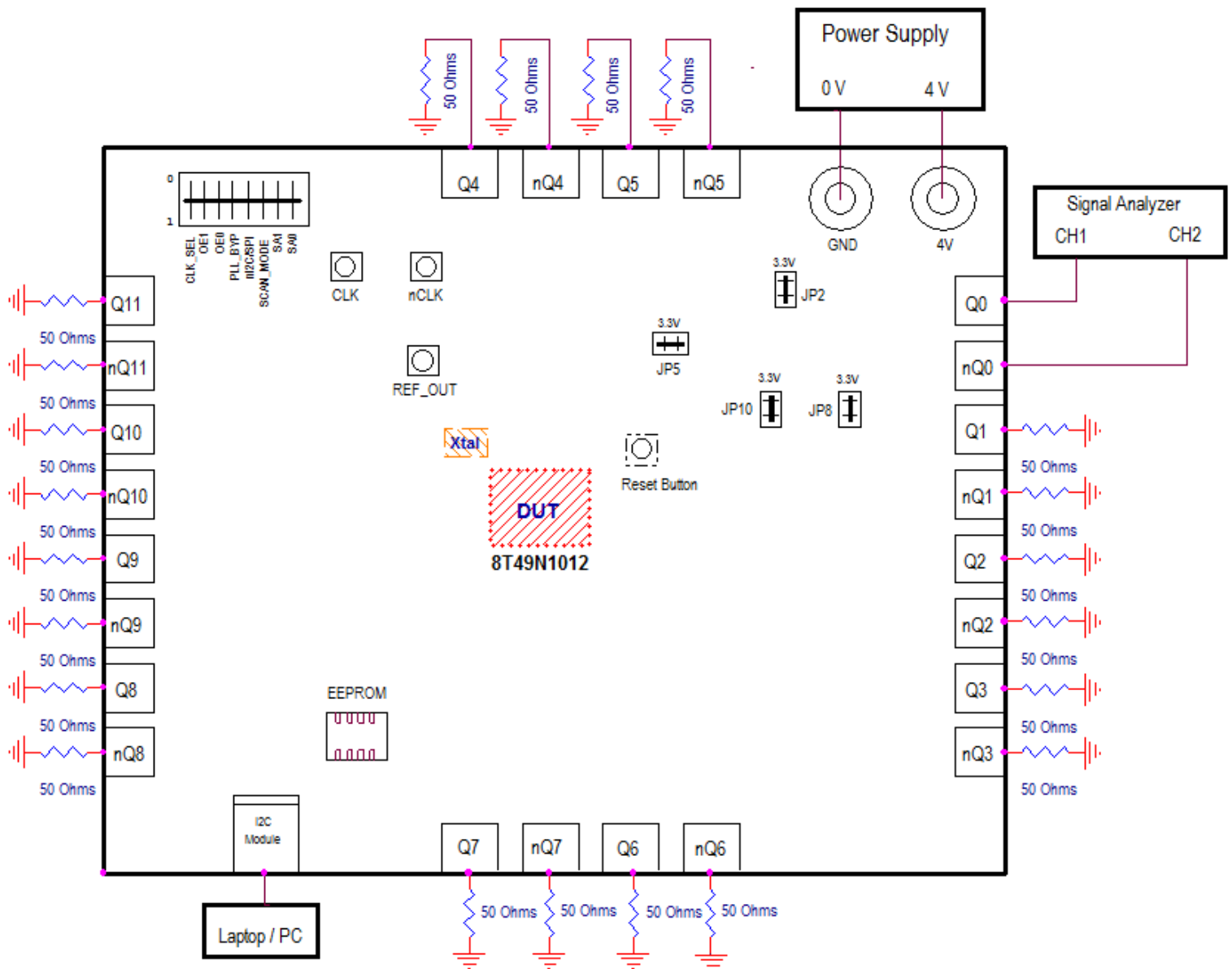
**Figure 4. Output Schematic (Set-up #1)**



## Quick Set-Up 2: Using Crystal as Input

- 1) Set power supply to 4V, single supply and set CLK\_SEL to "1" on Dip Switch to select Crystal as input.
- 2) Place jumpers on JP2, JP5, JP8 and JP10 to set VDD, VDDO and VDDA to 3.3V (if different voltage required, place jumper on the corresponding header).
- 3) Connect the black GND power supply cable to the GND connector of the 8T49N1012 board.
- 4) Connect the red 4 V power supply cable to the 4 V connector of the board.
- 5) Connect two SMA cables from the Q0/nQ0 outputs of the board to the signal analyzer.
- 6) Ultimately, connect the USB cable from the laptop to the board's USB connector and program the device using Timing Commander.

**Figure 5. Evaluation Board Powered Up and Connectivity Using Crystal as Input**

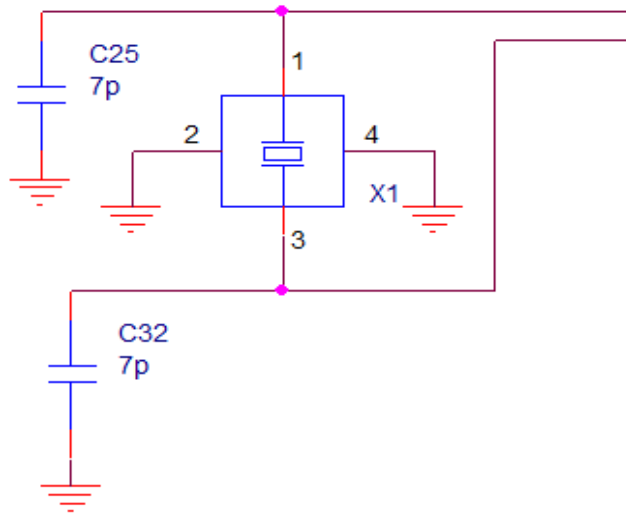


## Schematics

The following figures are schematics that are applicable when using the crystal as input. The complete schematic is available in a separate document. These are the input and output termination schematics.

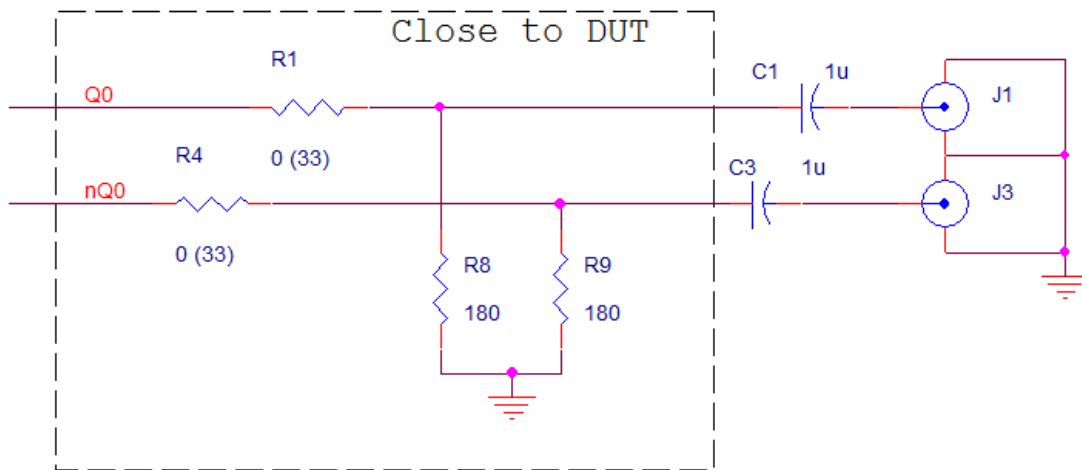
The input schematic is shown in [Figure 6](#).

**Figure 6. Input Schematic (Set-Up #2)**



The output schematic is shown in [Figure 7](#).

**Figure 7. Output Schematic**



\* If the output frequency is below 50MHz, increase the value of C1 and C3.





## IMPORTANT NOTICE AND DISCLAIMER

RENESAS ELECTRONICS CORPORATION AND ITS SUBSIDIARIES (“RENESAS”) PROVIDES TECHNICAL SPECIFICATIONS AND RELIABILITY DATA (INCLUDING DATASHEETS), DESIGN RESOURCES (INCLUDING REFERENCE DESIGNS), APPLICATION OR OTHER DESIGN ADVICE, WEB TOOLS, SAFETY INFORMATION, AND OTHER RESOURCES “AS IS” AND WITH ALL FAULTS, AND DISCLAIMS ALL WARRANTIES, EXPRESS OR IMPLIED, INCLUDING, WITHOUT LIMITATION, ANY IMPLIED WARRANTIES OF MERCHANTABILITY, FITNESS FOR A PARTICULAR PURPOSE, OR NON-INFRINGEMENT OF THIRD PARTY INTELLECTUAL PROPERTY RIGHTS.

These resources are intended for developers skilled in the art designing with Renesas products. You are solely responsible for (1) selecting the appropriate products for your application, (2) designing, validating, and testing your application, and (3) ensuring your application meets applicable standards, and any other safety, security, or other requirements. These resources are subject to change without notice. Renesas grants you permission to use these resources only for development of an application that uses Renesas products. Other reproduction or use of these resources is strictly prohibited. No license is granted to any other Renesas intellectual property or to any third party intellectual property. Renesas disclaims responsibility for, and you will fully indemnify Renesas and its representatives against, any claims, damages, costs, losses, or liabilities arising out of your use of these resources. Renesas' products are provided only subject to Renesas' Terms and Conditions of Sale or other applicable terms agreed to in writing. No use of any Renesas resources expands or otherwise alters any applicable warranties or warranty disclaimers for these products.

(Disclaimer Rev.1.0 Mar 2020)

### Corporate Headquarters

TOYOSU FORESIA, 3-2-24 Toyosu,  
Koto-ku, Tokyo 135-0061, Japan  
[www.renesas.com](http://www.renesas.com)

### Contact Information

For further information on a product, technology, the most up-to-date version of a document, or your nearest sales office, please visit:  
[www.renesas.com/contact/](http://www.renesas.com/contact/)

### Trademarks

Renesas and the Renesas logo are trademarks of Renesas Electronics Corporation. All trademarks and registered trademarks are the property of their respective owners.