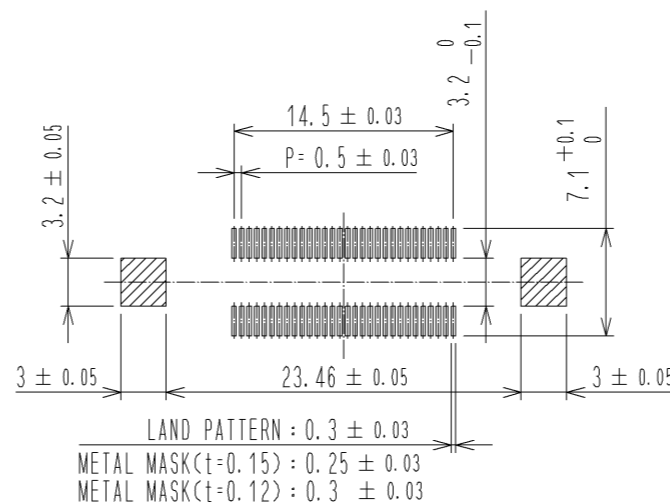


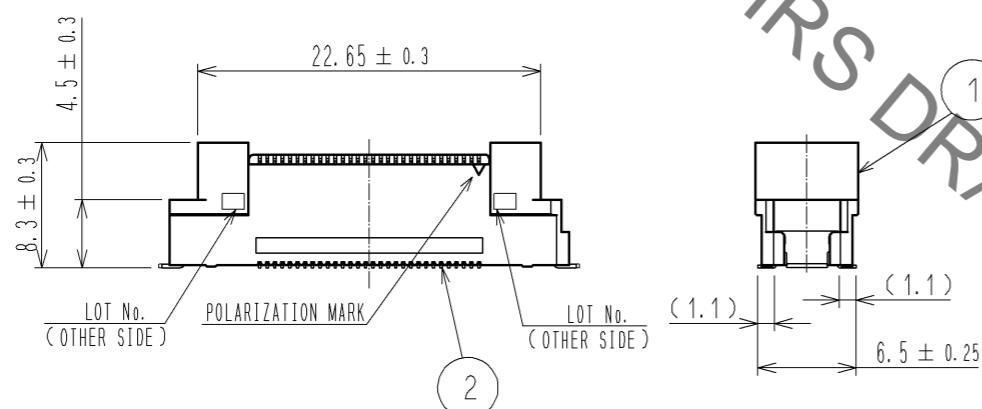
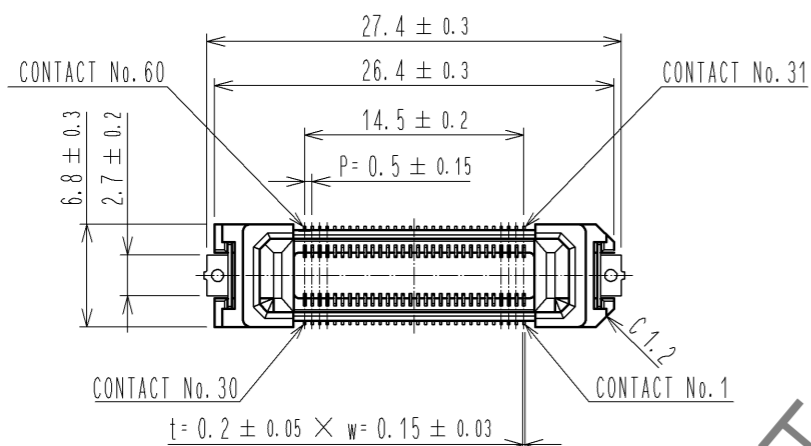
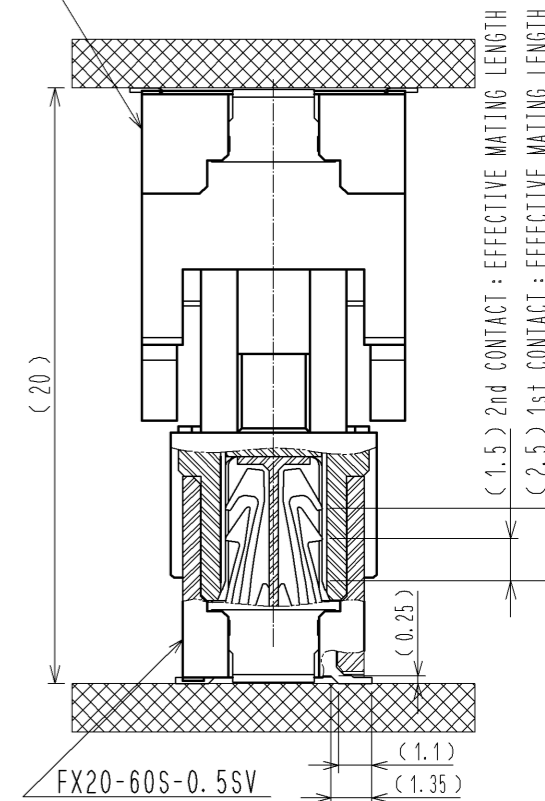
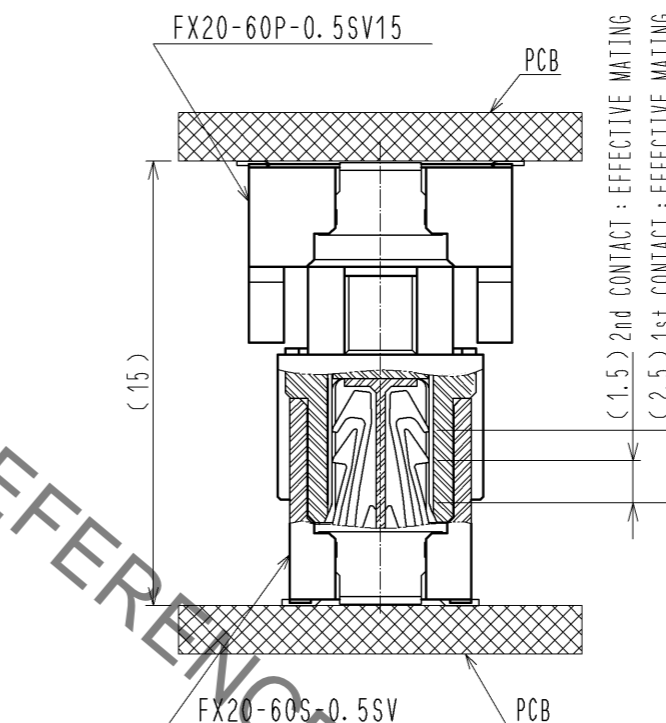
May.1.2023 Copyright 2023 HIROSE ELECTRIC CO., LTD. All Rights Reserved.
In case of consideration for using Automotive equipment / device which demand high reliability, kindly contact our sales window correspondents.

RECOMMENDED LAND PATTERN DIMENSION OF PCB

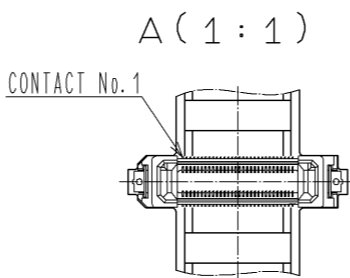
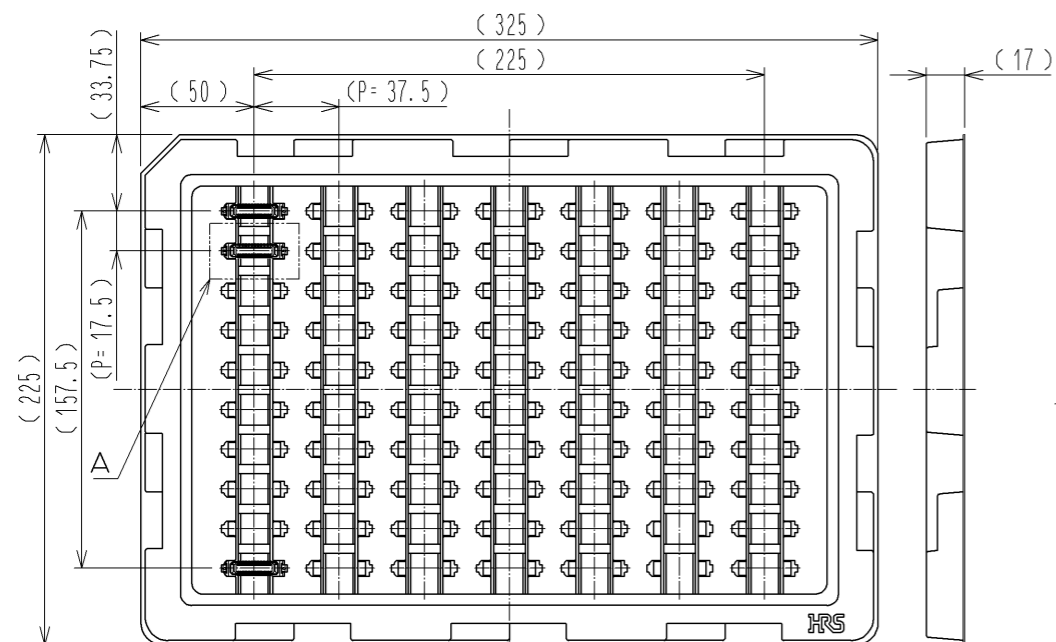


CROSS SECTION OF MATING(FREE)

CROSS SECTION OF MATING(FREE)



2 DRAWING FOR PACKING(FREE)



- NOTE 1 LEAD CO-PLANARITY IS 0.1mm MAX.
 2 THIS IS PACKAGED IN TRAY. (70pcs/TRAY)
 3 BLEMISH AND HIT MARK CAN BE OCCURED THROUGH OUT THE MANUFACTURING PROCESS WHICH DOESN' T AFFECT QUALITY LEVEL.
 4 PLEASE NOTE THAT EXCESSIVE WRENCHING FORCE COULD DAMAGE THIS CONNECTOR.
 PLEASE REFER TO THE GUIDELINE FOR DETAILED REGULATIONS OF THE MATING METHOD.
 5 THE DIMENSIONS IN PARENTHESES ARE FOR REFERENCES.

1	LCP	BLACK	UL94V-0	3	BRASS	TIN-PLATING 1 μm
NO.	MATERIAL	FINISH	REMARKS	NO.	MATERIAL	FINISH . REMARKS
				2	PHOSPHOR BRONZE	CONTACT AREA:GOLD 0.1 μm LEAD AREA:GOLD 0.03 μm UNDER PLATING:NICKEL 1 μm
UNITS	mm	SCALE	2:1	DESIGNED	12.03.06	12.03.06
				CHECKED	12.03.02	12.03.02
				DATE	12.03.02	12.03.02
APPROVED : HS. OKAWA				DRAWING NO. EDC3-336339-00		
CHECKED : KI. HIROKAWA				PART NO. FX20-60S-0.5SV		
DESIGNED : KT. DOI				CODE NO. CL570-1102-8-00		
DRAWN : KT. DOI						