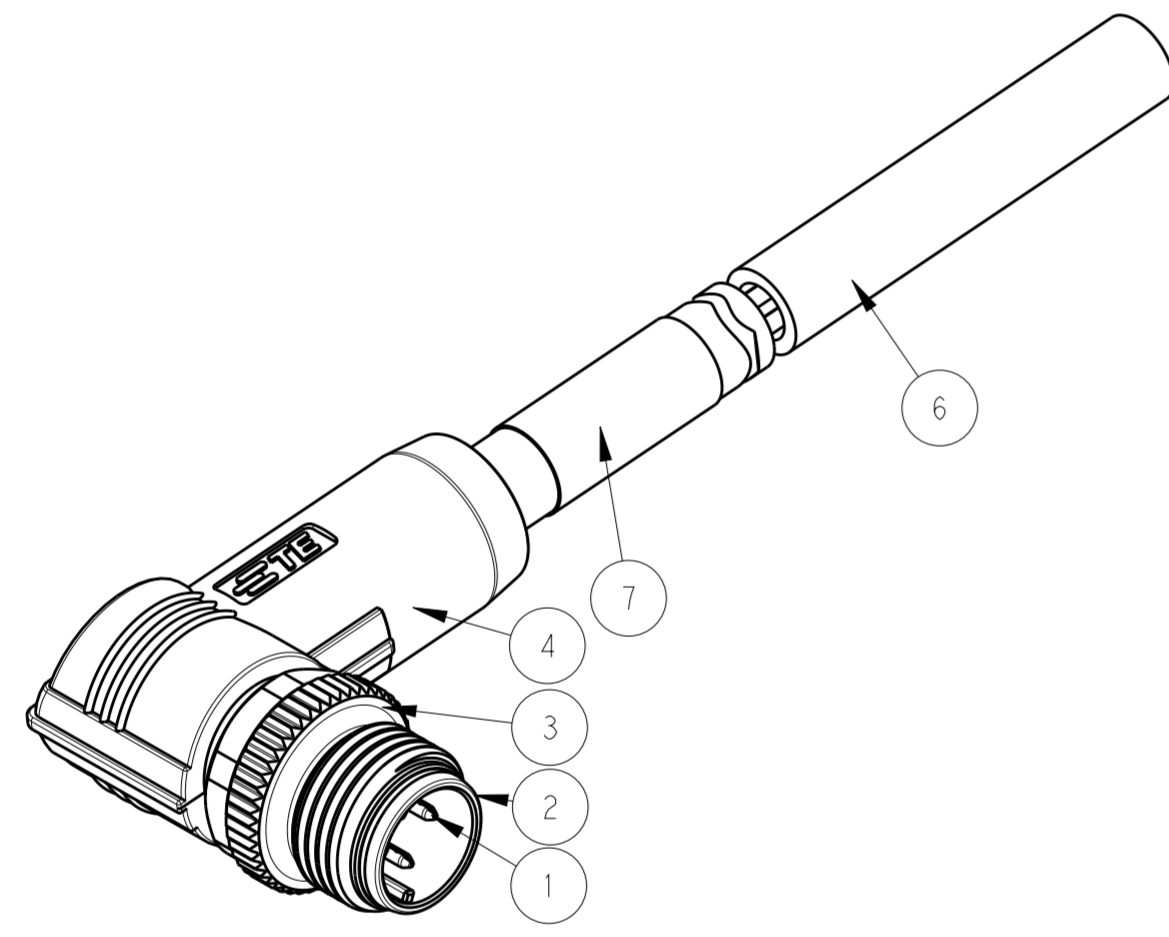
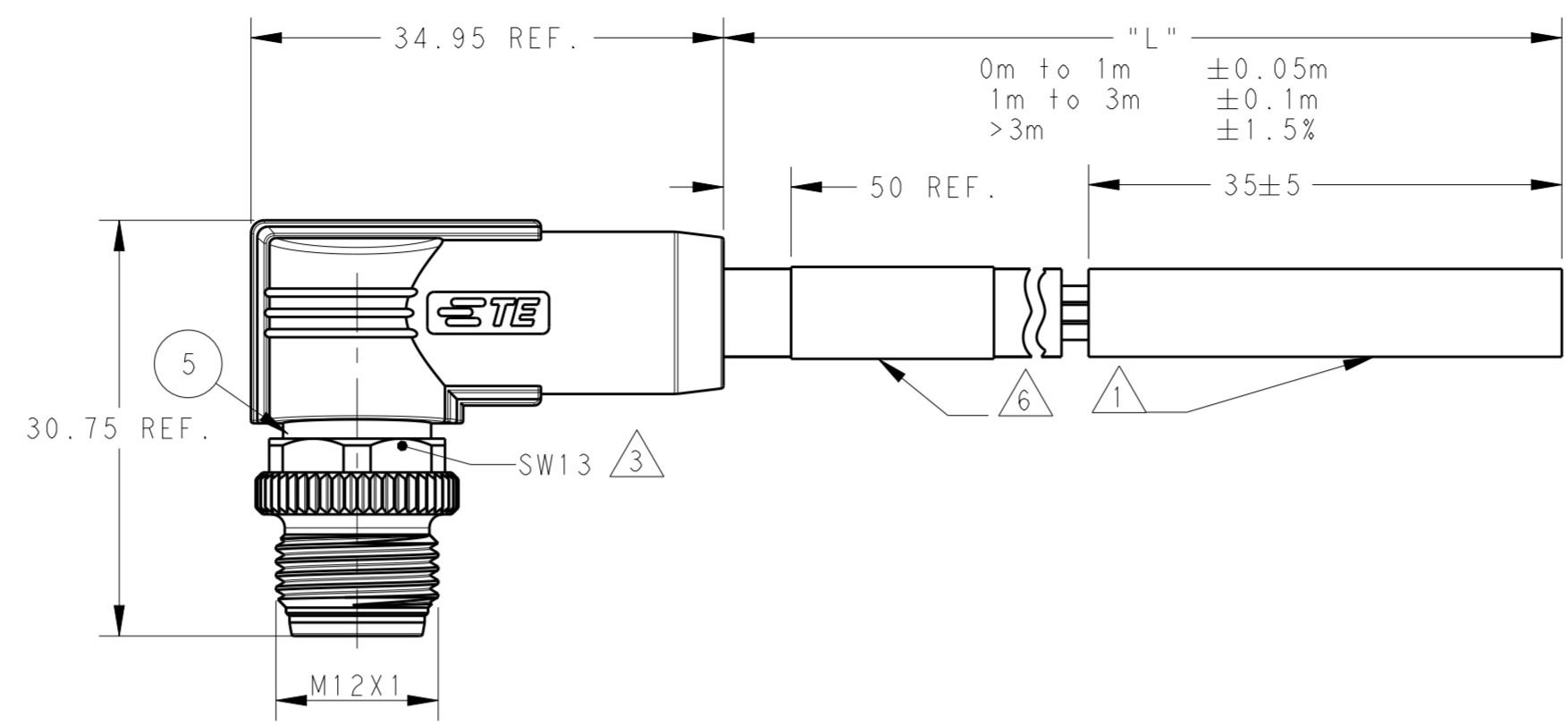
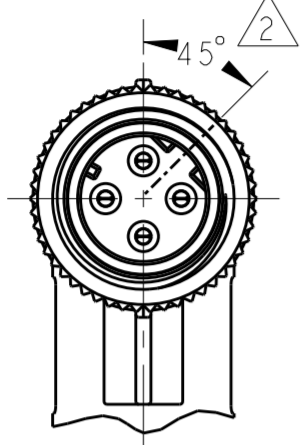


THIS DRAWING IS UNPUBLISHED. RELEASED FOR PUBLICATION 20
 © COPYRIGHT 20 BY - ALL RIGHTS RESERVED.

ITEM	DESCRIPTION	MATERIAL	OTHERS
1	MALE CONTACT	COPPER ALLOY	GOLD PLATED
2	HOUSING	NYLON	BLACK
3	COUPLING NUT	COPPER ALLOY	NICKEL PLATED
4	OVER-MOLDING	TPU/PVC	BLACK
5	SHIELDED SHELL	COPPER ALLOY	NICKEL PLATED
6	CABLE	-	-
7	LABEL	-	-



REVISIONS				
P	LTR	DESCRIPTION	DATE	APVD
	A	INITIAL RELEASE	18JUL2019	A.Z C.W
	A1	CORRECT DRAFT ERROR	16OCT2019	A.Z C.W
	A2	CLARIFY TYPICAL PNS	22JUN2020	A.Z C.W

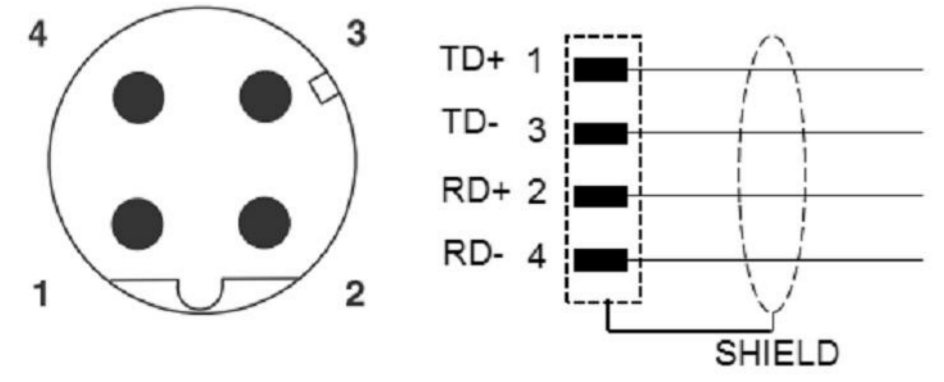
NOTE:
 1. STRIP AND RETAIN THE INSULATION
 2. CODE POSITION INDICATOR
 3. RECOMMENDED TORQUE 0.6 Nm
 4. -** : CABLE LENGTH, FOR EXAMPLE: -0.5M
 5. CABLE ASSEMBLY TO BE PACKAGED IN POLYBAGS
 6. LABEL CONTAINS: PN, DATE CODE...

注释:
 1. 剥线并保留护套绝缘层
 2. CODE位置指示
 3. 推荐扭矩0.6 Nm
 4. -** : 线缆长度, 例如: -0.5M
 5. 线缆组件塑料袋包装
 6. 标签包含: 产品编号, 日期代码...

PIN ARRANGEMENT D-CODE

PIN 1	TD+	YELLOW
PIN 3	TD-	ORANGE
PIN 2	RD+	WHITE
PIN 4	RD-	BLUE

CIRCUIT DIAGRAM MALE



A2

WIRES	WIRE COLOR	OD	TEMPERATURE RATING	OPERATING TEMP RATING	DRAG CHAIN TEST	TYPICAL LENGTH:	JACKET COLOR	JACKET MATERIAL	TYPE	POS.	TE PN	
WIRES: 1X4X22AWG	WHITE/YELLOW/BLUE/ORANGE	APPROX. 6.5MM	80°C UL	-40°C To +80°C	MIN. 1 MILLION CYCLES, DIAMETER 75MM, SPEED 2m/s, ACCELERATION 2m/s ²	-001: 0.5M -002: 1.0M -020: 2.0M -005: 5.0M -007: 10.0M -150: 15.0M -200: 20.0M -250: 25.0M -300: 30.0M	RED	PVC	M12D4-MR-PVC TYPE B RED-** ¹	4	TAD14241311-XXX	
WIRES: 1X4X22AWG	WHITE/YELLOW/BLUE/ORANGE	APPROX. 6.65MM	80°C UL	-30°C To +70°C	MIN. 1 MILLION CYCLES, DIAMETER 75MM, SPEED 2m/s, ACCELERATION 2m/s ²	CUSTOMIZATION RULES: -003: 1.5M -004: 3.0M -005: 5.0M -006: 7.0M -99X: 0.XM (<1.0M) (-993: 0.3M) -XXX: XX.XM (>1.0M) (-155: 15.5M)	GREEN	PUR	M12D4-MR-PUR TYPE C GREEN-** ¹	4	TAD14245101-XXX	
WIRES: 1X4X22AWG	WHITE/YELLOW/BLUE/ORANGE	APPROX. 6.5MM	80°C UL	-25°C To +80°C			GREEN	FRNC	M12D4-MR-FRNC TYPE B GREEN-** ¹	4	TAD14247101-XXX	
WIRES: 1X4X22AWG	WHITE/YELLOW/BLUE/ORANGE	APPROX. 6.5MM	80°C UL	-40°C To +80°C			GREEN	PVC	M12D4-MR-PVC TYPE B GREEN-** ¹	4	TAD14241111-XXX	
CABLE CHARACTERISTIC							LENGTH "L"	JACKET COLOR	JACKET MATERIAL	TYPE	POS.	TE PN

THIS DRAWING IS A CONTROLLED DOCUMENT.

DWN	ALEX ZHANG	11APR2019
CHK	HART HE	11APR2019
APVD	CHRIS WANG	11APR2019

PRODUCT SPEC: 108-106140
 APPLICATION SPEC: 114-137144

NAME: M12 D CODE CABLE ASSY, SHIELDED 4P, MR FREE END

SIZE: A2 CAGE CODE: - DRAWING NO: TAD1424XXXXXX RESTRICTED TO: -

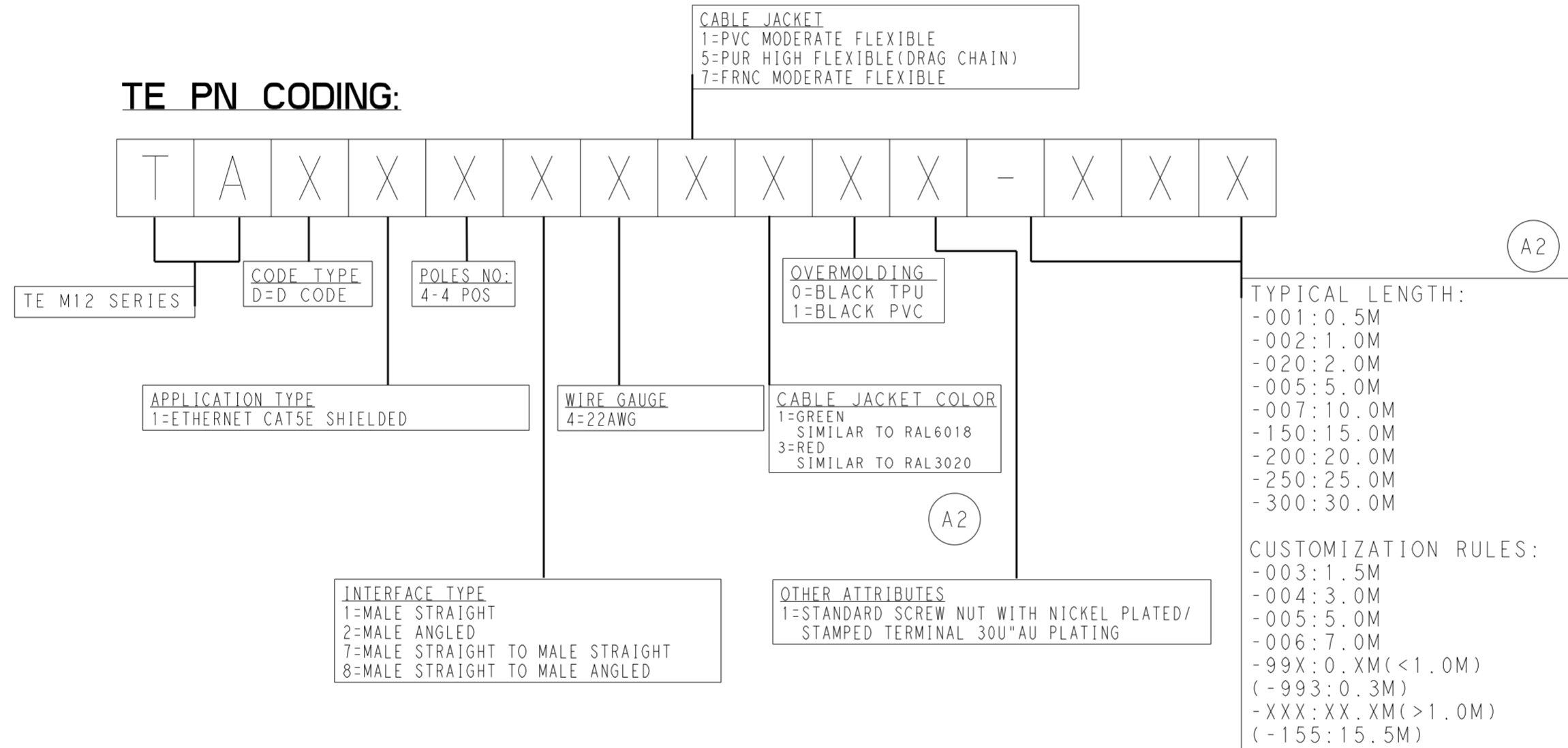
RESTRICTED CUSTOMER SCALE: 2:1 SHEET: 1 OF 2 REV: A2

REVISIONS				
P	LTR	DESCRIPTION	DATE	APVD
-		SEE SHEET 1	-	-

TECHNICAL DATA	
RATED VOLTAGE	250V 30V(UL)
RATED CURRENT	4A 1.5A(UL)
POLLUTION DEGREE	3
OVERVOLTAGE CATEGORY	II
MATERIAL GROUP	II
DEGREE OF PROTECTION	IP67

TE PN CODING:

T A X X X X X X X X X - X X X



THIS DRAWING IS A CONTROLLED DOCUMENT.		DWN ALEX ZHANG 11APR2019	 TE Connectivity
DIMENSIONS: mm		CHK HART HE 11APR2019	
		APVD CHRIS WANG 11APR2019	
TOLERANCES UNLESS OTHERWISE SPECIFIED:		PRODUCT SPEC 108-106140	NAME M12 D CODE CABLE ASSY,SHIELDED 4P,MR FREE END
0 PLC ± 1 PLC ± 2 PLC ± 3 PLC ± 4 PLC ± ANGLES ±2 FINISH -		APPLICATION SPEC 114-137144	SIZE A2
MATERIAL -		WEIGHT -	CAGE CODE -
		RESTRICTED CUSTOMER	DRAWING NO G-TAD1424XXXXXX
		RESTRICTED TO	SCALE 2:1 SHEET 2 OF 2 REV A2