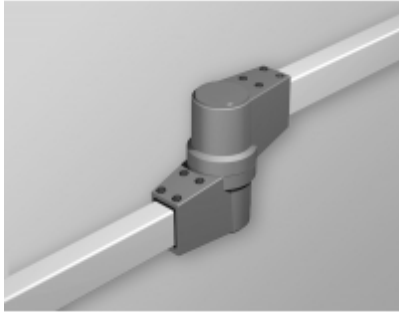


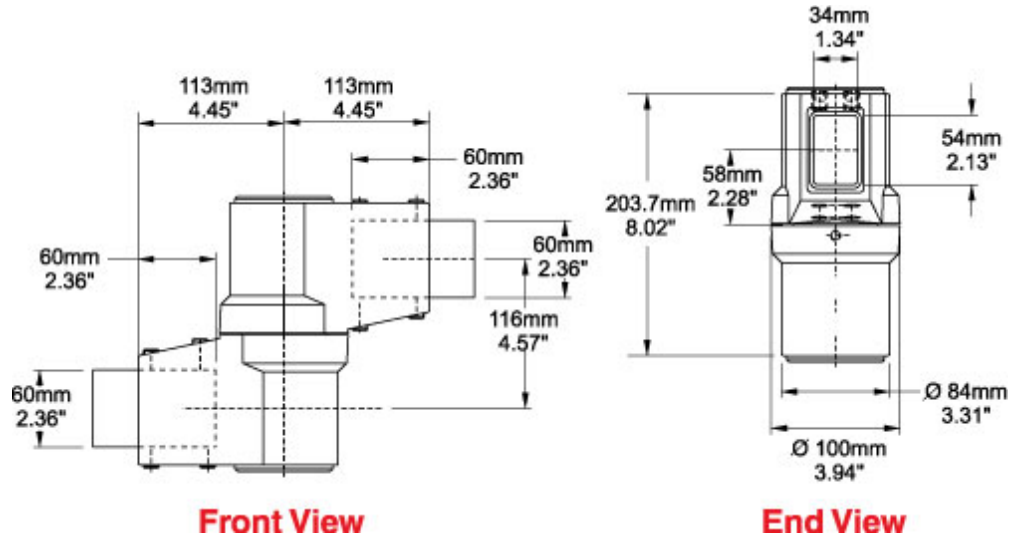


Quality Products. Service Excellence.

# Tara Plus Intermediate Joint *TPSSIJ Series*



- Accepts 60x40mm rectangular tube.
- Die-cast Aluminum G Al Si 12.
- Integrated movement stop.
- One piece bellow.
- Rotates 300°.



Part No. R149-015-000

Data subject to change without notice

© 2023. Hammond Manufacturing Ltd. All rights reserved.