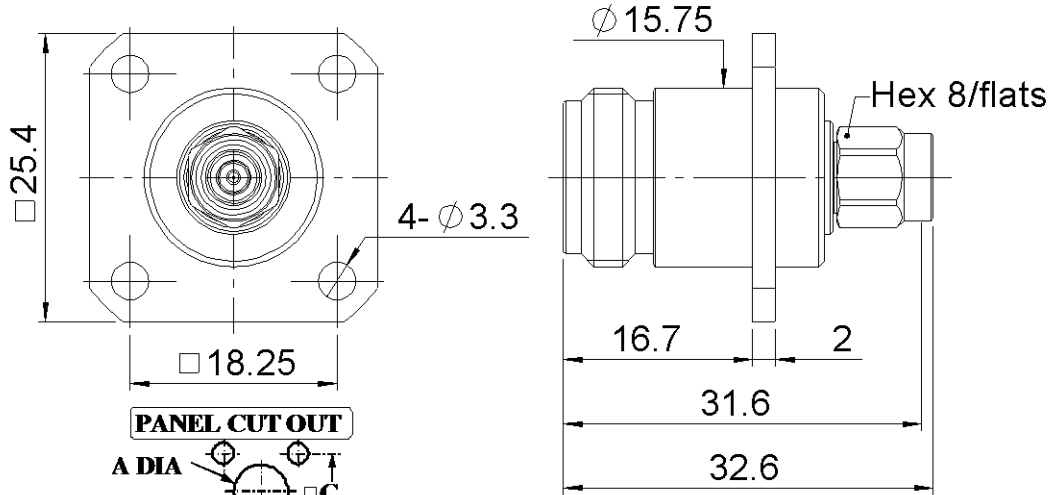


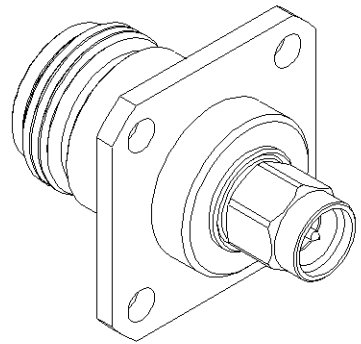
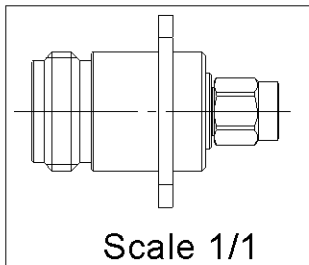
|          |                 |              |                               |
|----------|-----------------|--------------|-------------------------------|
| PAGE 1/2 | ISSUE 07-12-16B | SERIES ADAPT | PART NUMBER <b>R191377000</b> |
|----------|-----------------|--------------|-------------------------------|



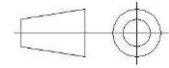
**PANEL CUT OUT**

A DIA  
B DIA  
4 holes

|              | mm    |       |
|--------------|-------|-------|
|              | Maxi  | mini  |
| A (R. Mount) | 16.3  | 16.1  |
| A (F. Mount) | 16.3  | 16.1  |
| B            | 3.30  | 3.20  |
| C            | 18.35 | 18.15 |



All dimensions are in mm.



| COMPONENTS     | MATERIALS               | PLATING (µm)            |
|----------------|-------------------------|-------------------------|
| Body           | <b>BRASS</b>            | <b>NICKEL</b>           |
| Center contact | <b>BERYLLIUM COPPER</b> | <b>GOLD OVER NICKEL</b> |
| Outer contact  | -                       | -                       |
| Insulator      | <b>PTFE</b>             |                         |
| Gasket         | <b>SILICONE RUBBER</b>  |                         |
| Others parts   | <b>BERYLLIUM COPPER</b> | <b>NICKEL</b>           |
| SMA body       | <b>BERYLLIUM COPPER</b> | <b>NICKEL .</b>         |
| -              | -                       | -                       |

|                 |                        |                     |                               |
|-----------------|------------------------|---------------------|-------------------------------|
| PAGE <b>2/2</b> | ISSUE <b>07-12-16B</b> | SERIES <b>ADAPT</b> | PART NUMBER <b>R191377000</b> |
|-----------------|------------------------|---------------------|-------------------------------|

**PACKAGING**

| Standard | Unit     | Other             |
|----------|----------|-------------------|
| <b>1</b> | <b>-</b> | <b>Contact us</b> |

**ELECTRICAL CHARACTERISTICS**

|                                 |            |             |                             |
|---------------------------------|------------|-------------|-----------------------------|
| Impedance                       |            | <b>50</b>   | $\Omega$                    |
| Frequency                       |            | <b>0-11</b> | GHz                         |
| VSWR                            | <b>1.2</b> | <b>+</b>    | <b>0,0000</b> x F(GHz) Maxi |
| Insertion loss                  |            | <b>0.08</b> | $\sqrt{F}$ (GHz) dB Maxi    |
| RF leakage                      | <b>-</b>   | <b>( NA</b> | - F(GHz)) dB Maxi           |
| Voltage rating                  |            | <b>500</b>  | Veff Maxi                   |
| Dielectric withstanding voltage |            | <b>1500</b> | Veff mini                   |
| Insulation resistance           |            | <b>5000</b> | M $\Omega$ mini             |

**ENVIRONMENTAL**

|               |                 |                    |
|---------------|-----------------|--------------------|
| Operating     | <b>-55/+155</b> | $^{\circ}\text{C}$ |
| Hermetic seal | <b>NA</b>       | Atm.cm3/s          |
| Panel leakage | <b>NA</b>       |                    |

**MECHANICAL CHARACTERISTICS**

|                            |  |            |           |
|----------------------------|--|------------|-----------|
| Center contact retention   |  |            |           |
| Axial force – Mating End   |  | <b>*18</b> | N mini    |
| Axial force – Opposite end |  | <b>*18</b> | N mini    |
| Torque                     |  | <b>NA</b>  | N.cm mini |

**SPECIFICATION**

|                    |            |            |      |
|--------------------|------------|------------|------|
| Recommended torque |            |            |      |
| Mating             | <b>N</b>   | <b>0</b>   | N.cm |
|                    | <b>SMA</b> | <b>110</b> | N.cm |
|                    | <b>-</b>   | <b>0</b>   | N.cm |
| Panel nut          |            | <b>NA</b>  | N.cm |

**OTHER CHARACTERISTICS**

\* out of SMA CDC.

|             |                |             |
|-------------|----------------|-------------|
| Mating life | <b>500</b>     | Cycles mini |
| Weight      | <b>36,9000</b> | g           |