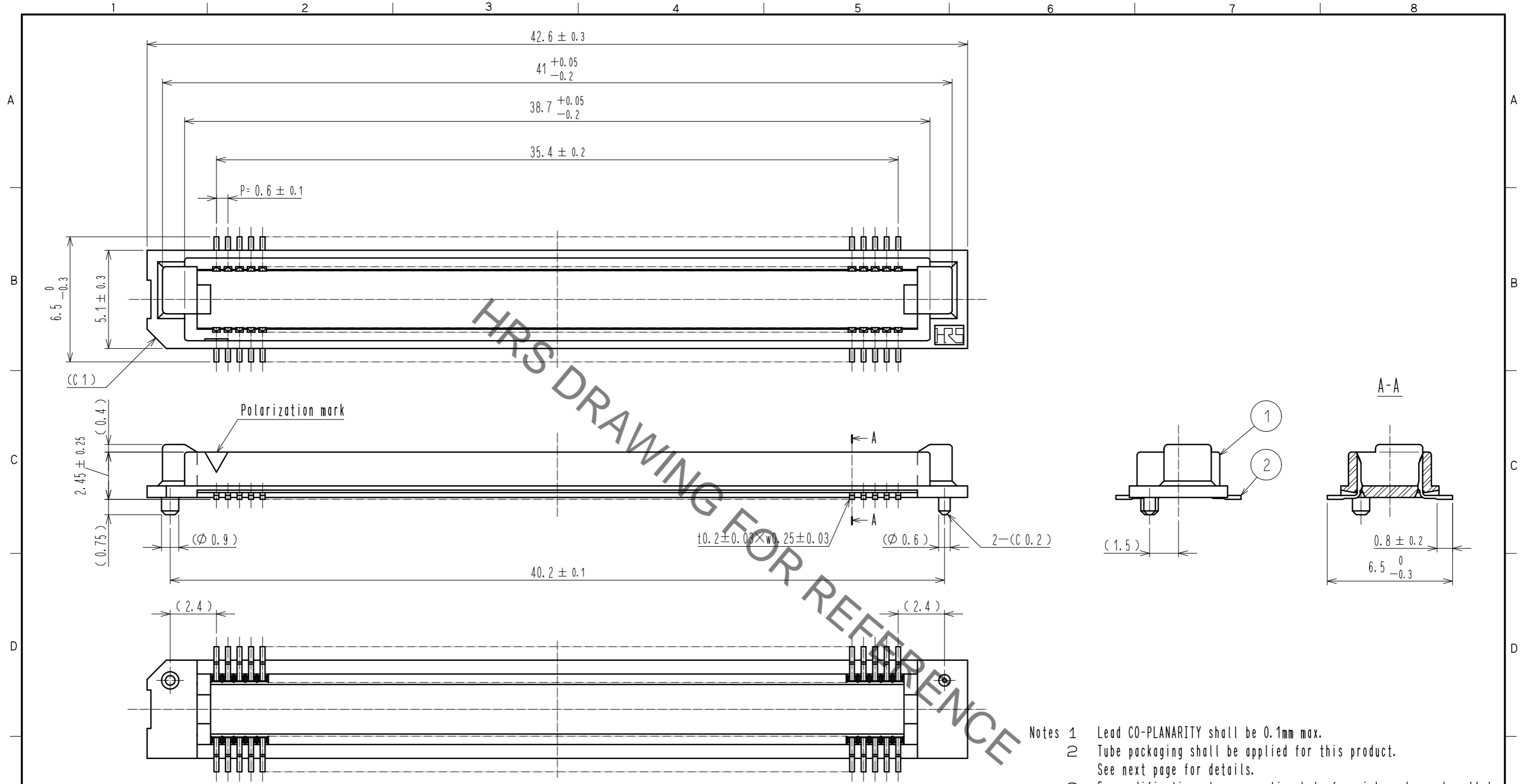
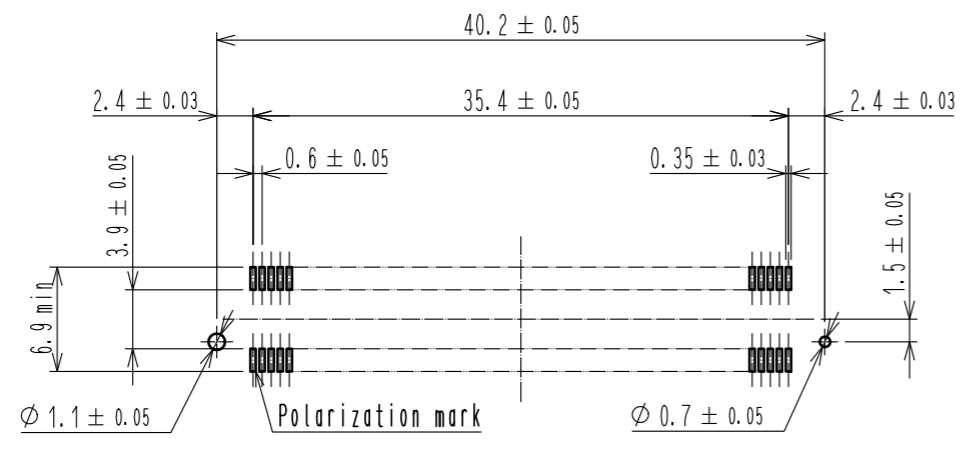


May.1.2023 Copyright 2023 HIROSE ELECTRIC CO., LTD. All Rights Reserved.  
In case of consideration for using Automotive equipment / device which demand high reliability, kindly contact our sales window correspondents.



Recommended land pattern dimension of PCB (mounting side) (2:1)

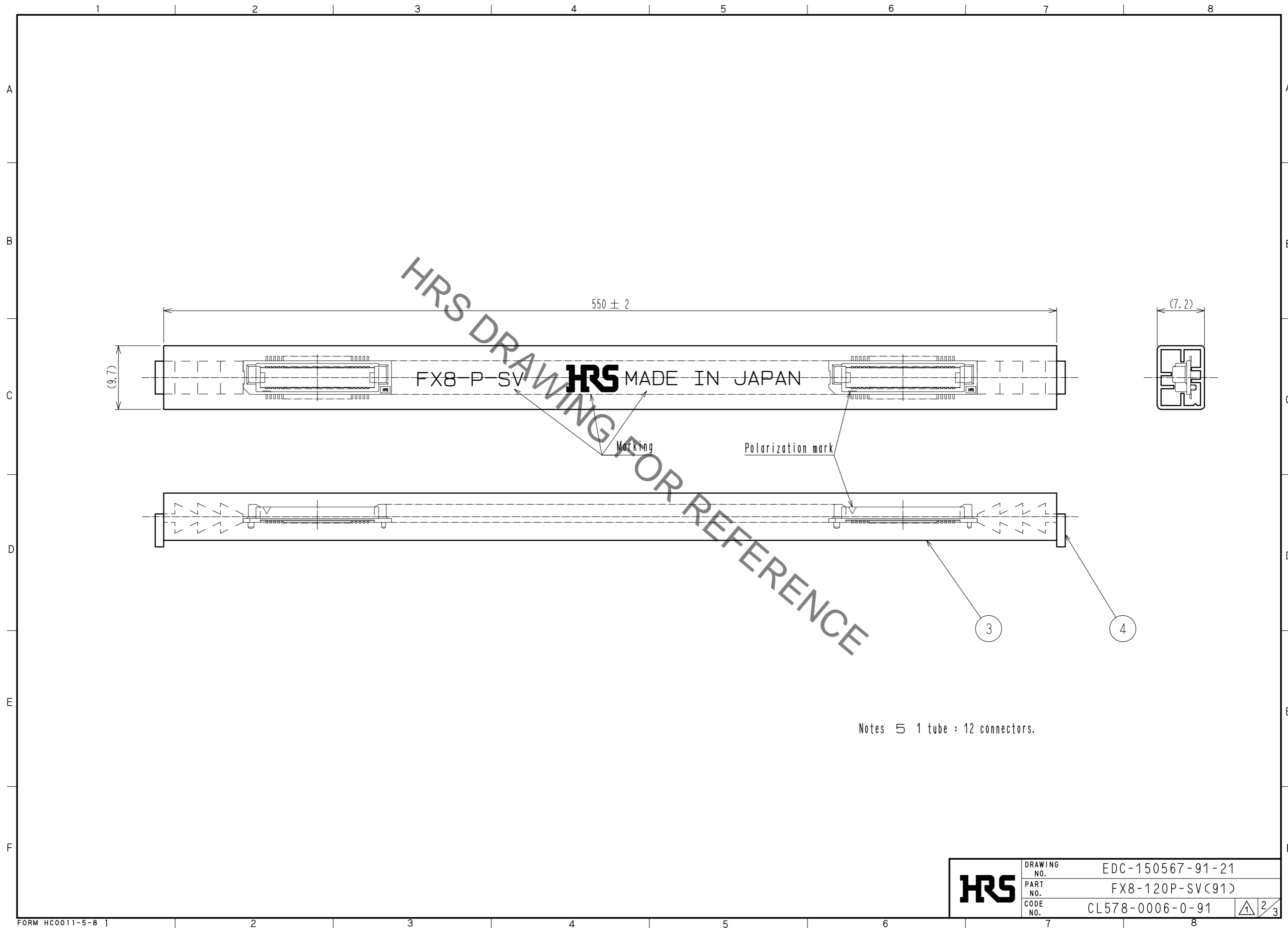


- Notes
- Lead CO-PLANARITY shall be 0.1mm max.
  - Tube packaging shall be applied for this product. See next page for details.
  - For modification, etc., preventive hole for sink mark may be added according to circumstances.
  - The dimensions in parentheses are for reference.

2	PHOSPHOR BRONZE	Contact area : Gold 0.1μm min.					
		Lead area : Gold flash					
		Under plating : Nickel 0.5μm min.	4	POLYVINYL CHLORIDE	Stopper		
1	PPS	Light brown (UL94V-0)	3	POLYVINYL CHLORIDE	Tube		
NO.	MATERIAL	FINISH . REMARKS	NO.	MATERIAL	FINISH . REMARKS		
UNITS		SCALE	COUNT	DESCRIPTION OF REVISIONS		DESIGNED	CHECKED
mm		5 : 1	1	DIS-F-00006410		KS. NAKAJIMA	HT. YAMAGUCHI
				APPROVED : HS. OKAWA	20061023	DRAWING NO. EDC-150567-91-21	
				CHECKED : HS. OZAWA	20061020	PART NO. FX8-120P-SV(91)	
				DESIGNED : KY. NAKAMURA	20061020	CODE NO. CL578-0006-0-91	
				DRAWN : AK. SUZUKAWA	20061019		
		HIROSE ELECTRIC CO., LTD.					

Added precaution

May.1.2023 Copyright 2023 HIROSE ELECTRIC CO., LTD. All Rights Reserved.  
In case of consideration for using Automotive equipment / device which demand high reliability, kindly contact our sales window correspondents.



<b>HRS</b>	DRAWING NO.	EDC-150567-91-21
	PART NO.	FX8-120P-SV(91)
	CODE NO.	CL578-0006-0-91

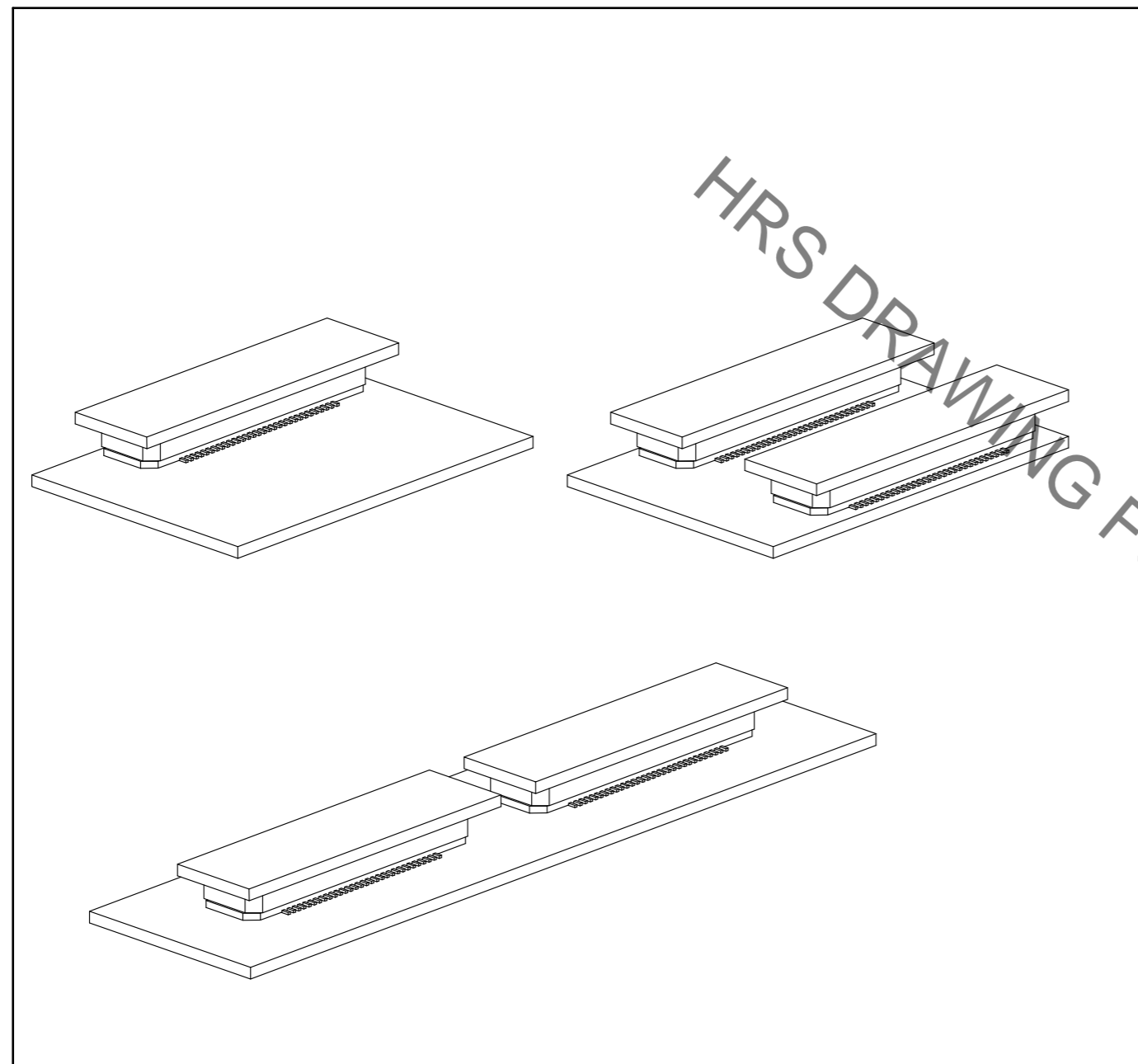
2/3

May.1.2023 Copyright 2023 HIROSE ELECTRIC CO., LTD. All Rights Reserved.  
In case of consideration for using Automotive equipment / device which demand high reliability, kindly contact our sales window correspondents.

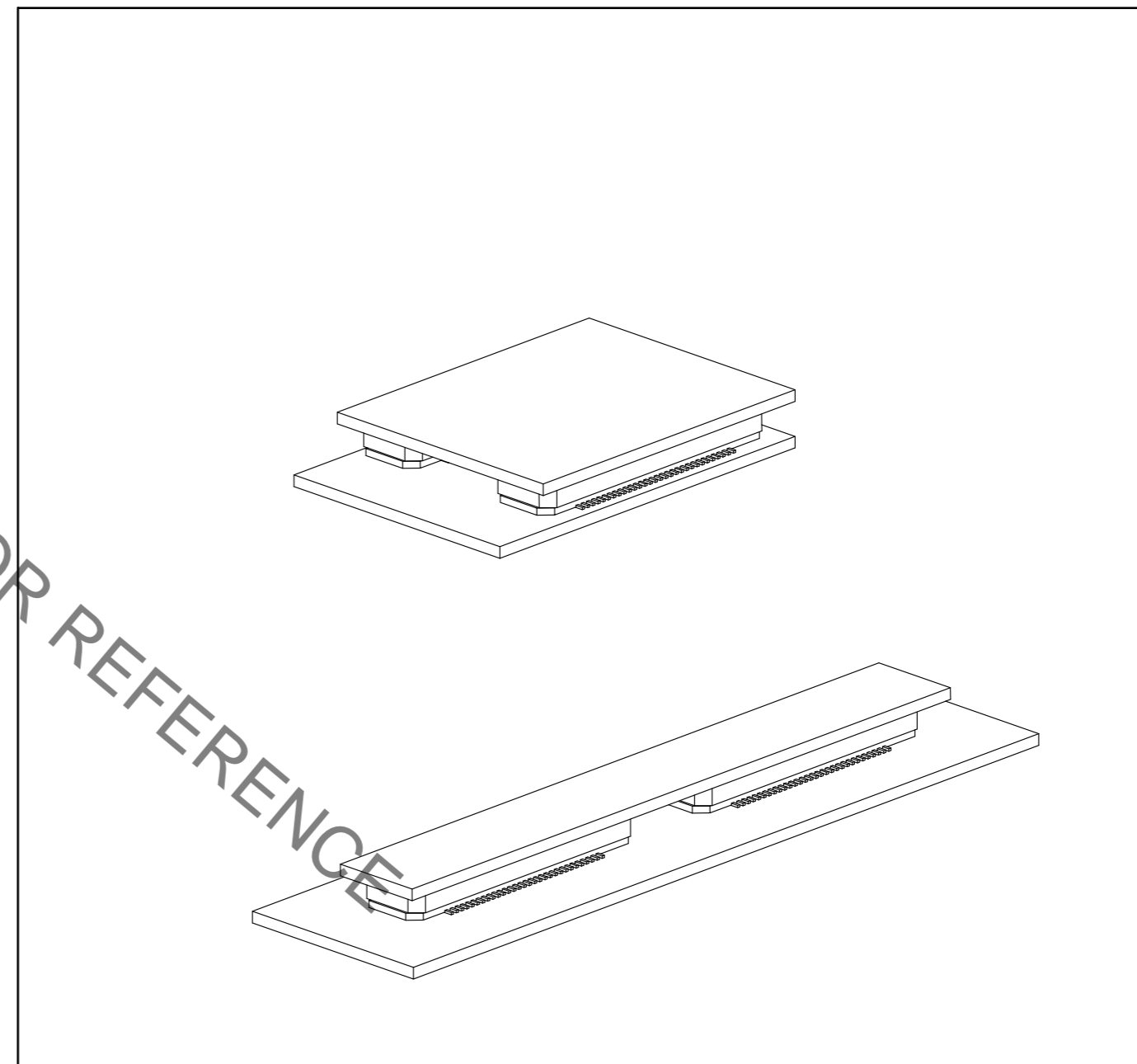
【 Precaution 】

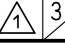
When a board with multiple connectors mounted is mated, the connector may be damaged or deformed.  
Please divide one side of the board so only one connector is mated per board.

OK



NG



<b>HRS</b>	DRAWING NO.	EDC-150567-91-21
	PART NO.	FX8-120P-SV(91)
	CODE NO.	CL578-0006-0-91
		 3/3