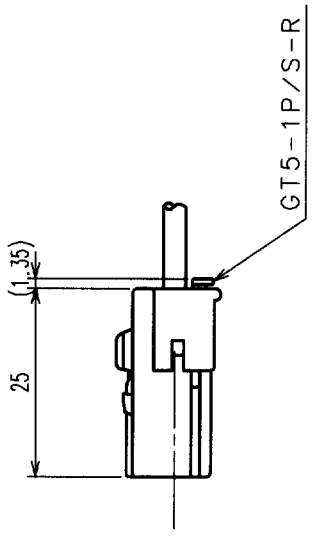
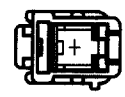
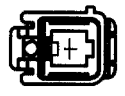
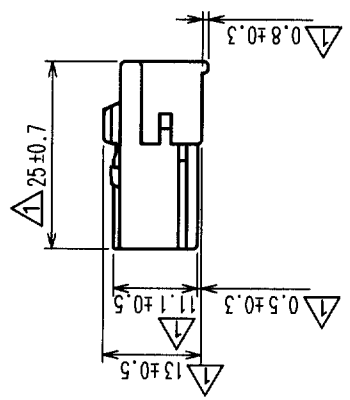
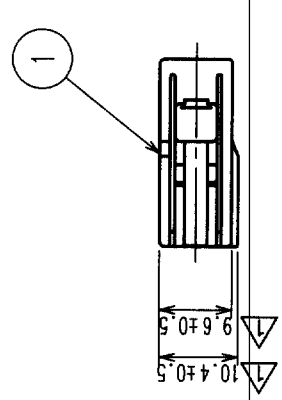


COUNT	DESCRIPTION OF REVISIONS	BY	CHKD	DATE	COUNT	DESCRIPTION OF REVISIONS	BY	CHKD	DATE
8	RE-T-00607	11	M.O	01.11.28					

NOTE1. THIS CONNECTOR SHALL BE USED WITH A RETAINER  
 (CL755-0006-2) WAS ASSEMBLED.  
 2. APPLICABLE CONNECTOR: GT5-1PP-HU (B) (CL755-0040-0)  
 GT5-1P-DS (B) (CL755-0042-6)



CONNECTOR ASSEMBLED WITH A RETAINER

HRS DRAWING FOR REFERENCE

NO.	MATERIAL	FINISH, REMARKS	NO.	MATERIAL	FINISH, REMARKS
1	PBT	UL94V-0, GREEN			
CODE NO. (OLD)					
DRAWN			DESIGNED		
T. EBIHARA			N. HARUBAYASHI		
'97.08.25			'97.08.25		
KATO			M. YAMAMOTO		
'97.08.27			'97.08.27		
DRAWING NO.			PART NO.		
EDC3-165293			GT5-1S-HU(B)		
SCALE			CODE NO.		
1 : 1			CL755-0038-9		
UNITS			MATERIAL		
mm			HRS		
HIROSE ELECTRIC CO., LTD			AMC		

TO	