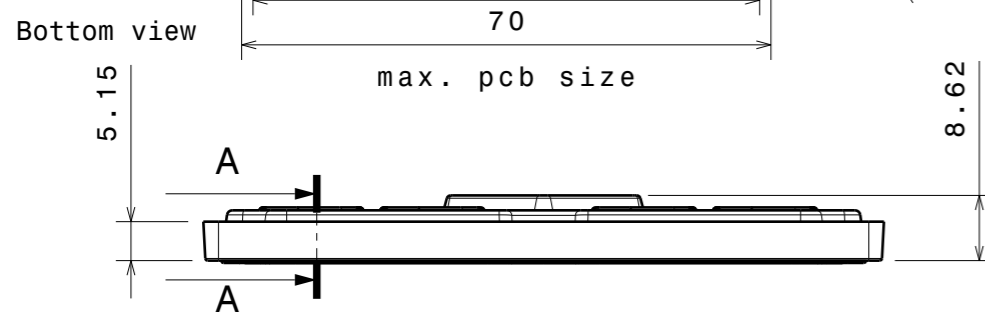
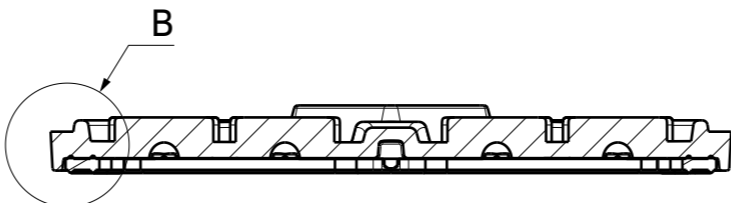


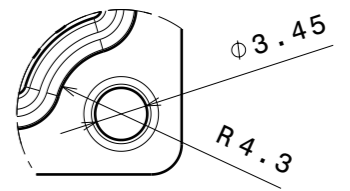
Top View



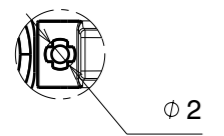
Right View



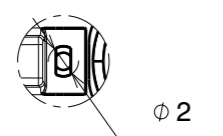
Section view A-A



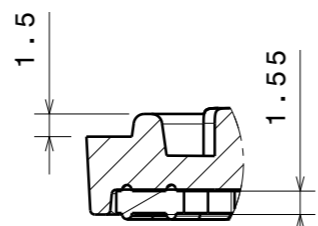
Detail E
Scale: 2:1



Detail D
Scale: 2:1



Detail C
Scale: 2:1



Detail B
Scale: 2:1

CS17068_STRADA-IP-16MX-T4

COMPONENTS

INDEX	PART	TYPE	MATERIAL	COLOR / COATING
1	C17067_STRADA-IP-16MX-T4	Lens	PMMA	Clear
2	C16782_STRADA-IP-8MX-SEAL	Seal	Silicone	White

MECHANICAL DRAWING		LEDiL®
PRODUCT STRADA-MAXI		
Plastic moulding general tolerances according to DIN 16901-130 and applies if not otherwise shown in the drawing. Silicone moulding general tolerances according to ISO 3302-1 Class M3 and applies if not otherwise shown in the drawing.	FIRST ANGLE PROJECTION: 	This drawing is the property of LEDiL Oy. It may not be copied or otherwise distributed without prior written permission from LEDiL Oy.
SCALE 1:1	WEIGHT -	A3 SHEET 1/1

Notes

- PCB or heatsink level.
- LED location
- Ensure LED fitting from a product specific 3D model available from www.ledil.com
- For more details about installation please see LEDiL Installation Guide on www.ledil.com