



**REED SWITCH DEVELOPMENTS CORP.**  
 2524 Norwood Court  
 Racine, WI 53403  
 Ph: (262)883-9060  
[sales@reedswitchdevelopments.com](mailto:sales@reedswitchdevelopments.com)

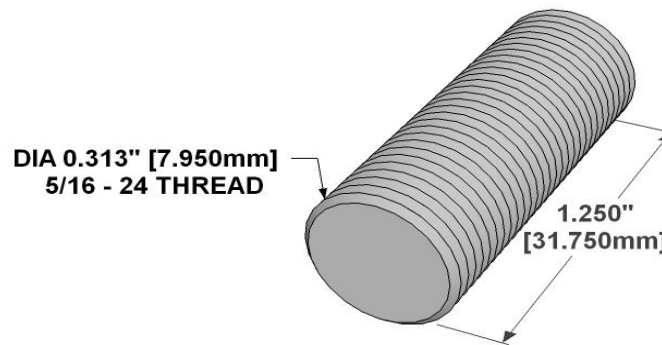
## SPECIFICATION SHEET

**2602-4002-000**

Alternate Part Number:  
**AM2602-4002-00-01**

Active / Equivalent Part Numbers:  
 2602-4002-000 - Magnetic Actuator Only  
 AM2602-4002-00-01 - Magnetic Actuator Only

## 2602 Series Magnetic Reed Switch Actuator



All measurements are in inches [millimeters]

Specifications	Description	UM
Shape	Cylindrical Threaded (5/16-24)	
Length/Thickness	1.250"/31.75mm	in/mm
Diameter	0.313"/7.95mm	in/mm
Housing Material	Stainless Steel	
Magnetic Orientation	Through Length	
Max Operating Temperature	975/525	°F/°C
Curie Temperature	1580/860	°F/°C
BR max	12.8	kGauss
BH max	5.5	MGOe
Coercive Force Hc	640	kOe
Intrinsic Coercive Force Hci	640	kOe

### Assembly Certifications

RoHS / REACH Compliant	Y
Conflict Free Material	Y

REV DATE: 10/06/2021

DISCLAIMER NOTICE: INFORMATION FURNISHED IS PROPRIETARY, AND IS BELIEVED TO BE ACCURATE AND RELIABLE, AND IS SUBJECT TO CHANGE WITHOUT NOTICE. IT SHALL BE THE RESPONSIBILITY OF THE BUYER TO ENSURE THAT THE GOODS ARE SUFFICIENT AND SUITABLE FOR THE PURPOSE OR PURPOSES INTENDED (WHETHER BY THE BUYER OR BY ANY THIRD PARTY) AND THAT THEIR CAPACITY AND PERFORMANCE IS NOT ADVERSELY AFFECTED BY ANY ITEMS USED IN THEIR INSTALLATION (WHERE RELEVANT) AND/OR IN CONNECTION WITH THEM.

WBE Certified - State of Wisconsin - MFR CAGE CODE: 32604

[www.reedswitchdevelopments.com](http://www.reedswitchdevelopments.com)