

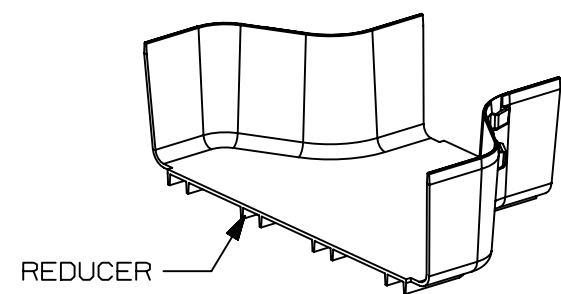
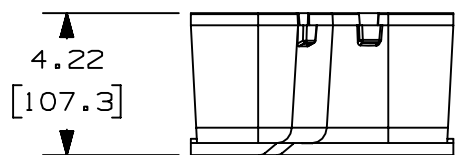
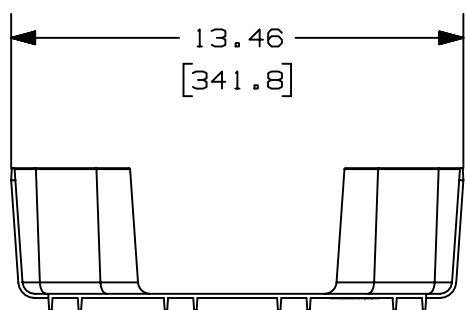
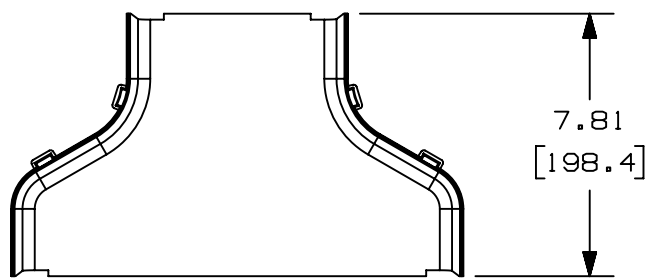
2

1

THIS COPY IS PROVIDED ON A RESTRICTED BASIS AND IS NOT TO BE USED IN ANY WAY DETRIMENTAL TO THE INTERESTS OF PANDUIT CORP.

NOTES:

1. SEE CURRENT CATALOG FOR ADDITIONAL PART SUFFIXES TO INDICATE COLOR AND/OR PACKAGE QUANTITY.
2. THE FIBERRUNNER 12x4 TO FIBERRUNNER 6x4 REDUCER IS DESIGNED WITH A MINIMUM 2" (50.8) BEND RADIUS TO PROTECT FIBER OPTIC CABLES.
3. PARTS SUPPLIED:  
(1) - REDUCER
4. DIMENSIONS IN PARENTHESES ARE IN METRIC.



PANDUIT PART NUMBER	WEIGHT	MATERIAL
FRRF126**	0.82 LB/EACH (374g/EACH)	ABS
FRRF126LS**	0.82 LB/EACH (374g/EACH)	PC/ABS



D10100DA/20

REV	DATE	BY	CHK	APR	DESCRIPTION	ECN
06B	10/16/2020	MES	DWR	DWR	A. P/N WAS FRRF126L**	V09002DZ/15
06A	8/27/20	MEX-JAGC	DWR	DWR	ADDED PART NUMBER UPDATED DRAWING BORDER & TITLE BLOCK	V09002DZ/11

TITLE <b>FIBERRUNNER 12x4 TO FIBERRUNNER 6x4 REDUCER (FRRF126**, FRRF126LS**)</b>		<b>PANDUIT</b>
CUSTOMER DRAWING		
ITEM REVISION NAME D37617BI/06		DRAWING NUMBER: <b>37617-67</b>
DATASET FILE NAME D37617BI_DC/06B		
MATERIAL: SEE PART NUMBER TABLE ABOVE		THIRD ANGLE PROJECTION
DRAWING NUMBER: 37617-67		
DRAWN BY JHNU	DATE 12/29/00	CHK HIW
SCALE NONE		SIZE A
SHT 1 OF 1		

2

1