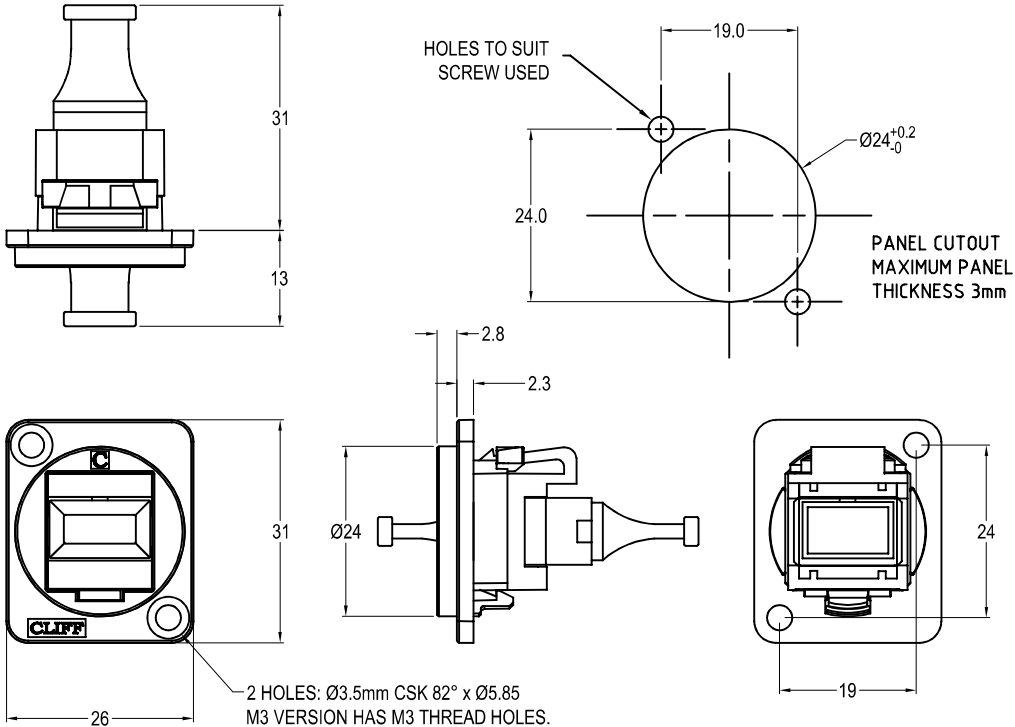


# CLIFF

## MTP USCONEC METAL FEEDTHROUGH CONNECTOR



**Feedthrough Features**

- Fits standard XLR Ø24mm cutout.
- No soldering or punch termination. Use standard cable for each connector style.
- Front or rear mounted.
- Low rear profile

**General:**

Please note: Functionality is affected by cable quality, length and cable wiring configuration.

**VARIANTS**

**Part No.**

- CP30245MB** MTP USCONEC Black metal frame, CSK holes
- CP30245M3B** MTP USCONEC Black metal frame, M3 holes

**Material:**

1. Coupler Body: PES Black UL94-V0
2. Dust Cover: PEI
3. Insert: ABS/PC Black UL94-V0
4. Frame: Black Nickel plated zinc diecast