

GC5322 Wideband Digital Predistortion Transmit Processor

 Check for Samples: [GC5322](#)

FEATURES

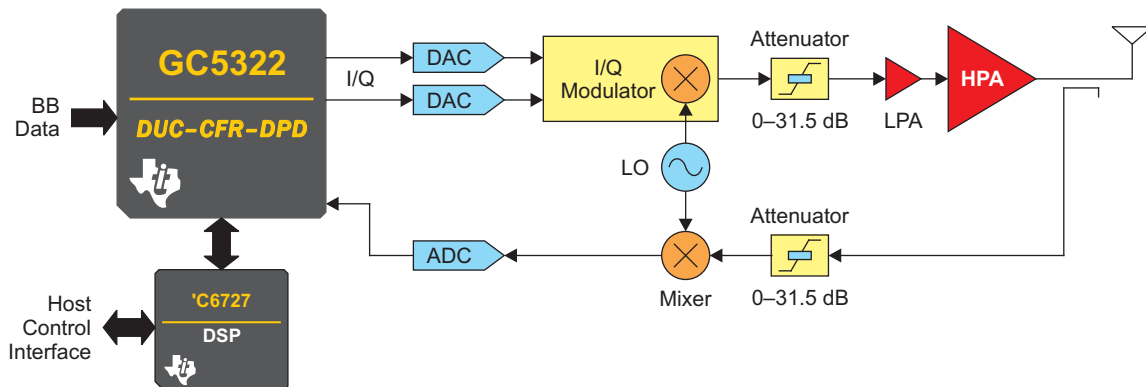
- Integrated DUC, CFR, and DPD Solutions
- 40-MHz (28-MHz) Signal Bandwidth, Third (Fifth)-Order Expansion BW in DPD Section, Maximum Complex Rate 140 MHz
- DUC: up to 12 CDMA2000 or TD-SCDMA, 4 W-CDMA, 3–10 MHz or 1–20 MHz OFDMA Carriers
- CFR: Typically Meets 3GPP TS 25.141 <6.5-dB PAR, <8-dB PAR for OFDMA Signals
- DPD: Short-Term and Long-Term Memory Compensation to 1 μ s, Typical ACLR Improvement > 20 dB
- Single-Antenna TX Mode, Single or Shared Feedback
- 352-Ball S-PBGA Package, 27-mm \times 27-mm

- 1.2-V Core, 1.8-V HSTL, 3.3-V I/O
- Typical Power Consumption < 2.5 W, Configuration Dependent
- Flexible DSP Algorithm Supports Existing and Emerging Wireless Standards
- Supports Direct Interface to TI High-Speed Data Converters

APPLICATIONS

- 3GPP (W-CDMA) Base Stations
- 3GPP2 (CDMA2000) Base Stations
- WiMAX, WiBro, and LTE (OFDMA) Base Stations
- Multicarrier Power Amplifiers (MCPAs)

SYSTEM BLOCK DIAGRAM



B0278-04

DESCRIPTION

The GC5322 is a wideband digital predistortion transmit processor that includes a digital upconverter (DUC) block, crest factor reduction (CFR) block, feedback (FB) block, digital predistortion (DPD) block, and capture buffer (CB) blocks. The GC5322 is operated in single-antenna mode with shared or individual feedback paths.

The GC5322 GPP block receives the interleaved IQ data from the baseband input. The individual IQ channels are then routed to the DUC. The GPP and DUC can be bypassed to input a combined IQ signal. The DUC provides three stages of interpolation and a complex mixer. There are two DUC blocks. The output from the DUC blocks is combined in the sum chain. Each of the 1 to 12 DUC channels can be summed, and the composite signal can be scaled.



Please be aware that an important notice concerning availability, standard warranty, and use in critical applications of Texas Instruments semiconductor products and disclaimers thereto appears at the end of this data sheet.

TMS320C64x is a trademark of Texas Instruments.

PRODUCTION DATA information is current as of publication date. Products conform to specifications per the terms of the Texas Instruments standard warranty. Production processing does not necessarily include testing of all parameters.

Copyright © 2008–2010, Texas Instruments Incorporated



These devices have limited built-in ESD protection. The leads should be shorted together or the device placed in conductive foam during storage or handling to prevent electrostatic damage to the MOS gates.

DESCRIPTION (CONTINUED)

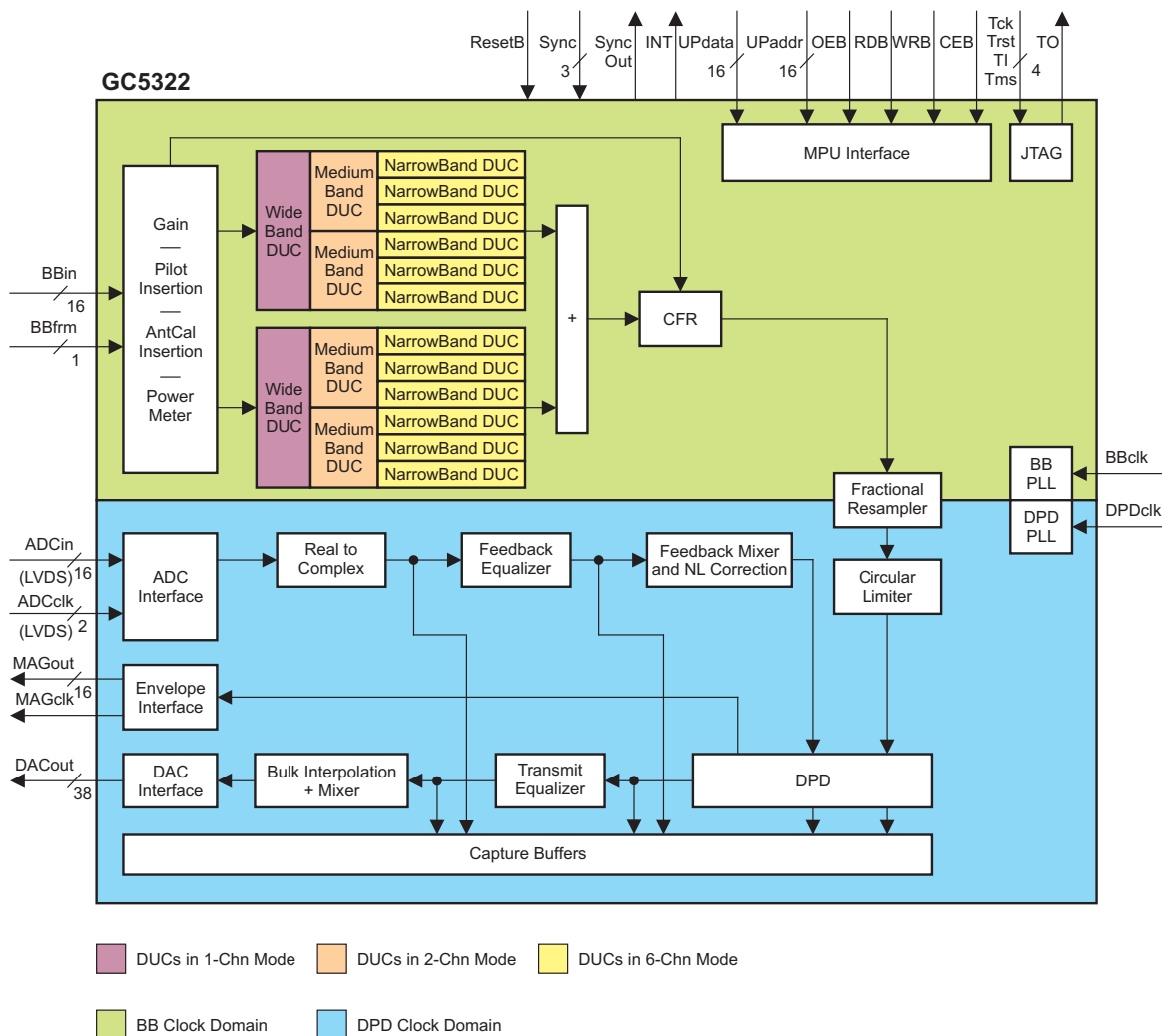
The CFR block has four serial stages of peak detection and cancellation. The CFR block cancellation filter can be programmed as real or complex. The peak-reduced signal is output to the Farrow resampler. The Farrow resampler resamples the CFR output to the DPD clock rate. The Farrow resampler block also has a complex mixer for composite carrier-frequency offset.

The DPD subsystem circularly clips the data, and then applies nonlinear and linear correction. The GC5322 DPD block reduces adjacent-channel leakage ratio (ACLR), or out-of-band energy, by 20 dB or more. The efficiency of follow-on power amplifiers (PAs) is substantially improved by reducing the PAR and ACLR of digital signals. After DPD correction, a bulk upconversion block and DAC interface can increase the IQ output rate, provide a final IF frequency offset, and interface to the DAC5682Z or DAC5688.

The CB signal capture can be based on a timed event (external sync) and delay, or signal statistic values (smart-capture buffer – SCB). There are two signal buffers; typically one captures the transmit path, and the other captures the feedback path.

The FB block receives the LVDS ADC information and performs signal processing to downconvert the received signal to OIF. The FB block also has a feedback-path receive equalizer.

GC5322 FUNCTIONAL BLOCK DIAGRAM



B0279-04

AVAILABLE OPTIONS

| | |
|----------------------|---|
| T_c | PACKAGED DEVICE⁽¹⁾ |
| | 352-ball S-PBGA package, 27 mm x 27 mm |
| -40°C to 85°C | GC5322IZND |

(1) For the most current package and ordering information, see the Package Option Addendum at the end of this document, or see the TI Web site at www.ti.com.

REFERENCES

- GC5322_GC5325_architecture_datasheet_ext.pdf (obtain through local TI Field Application Engineer)
- GC5325 System Evaluation Kit user's guide, schematic diagram (obtain through local TI Field Application Engineer)
- GC5322 configuration (TGTCFG) - (obtain through local TI Field Application Engineer)
- DSP – TMS320C672x DSP Universal Host Port Interface Reference Guide (SPRU719)
- DSP – TMS320C672x DSP External Memory Interface (EMIF) User's Guide (SPRU711)

DETAILED DESCRIPTION

GC5322 Introduction

The GC5322 is a flexible transmit sector processor that includes a digital upconverter (DUC) block, a crest factor reduction (CFR) block, and a digital predistortion (DPD) block and its associated feedback chain. The GC5322 processes composite input bandwidths of up to 40 MHz and processes DPD expansion bandwidths of up to 140 MHz. By reducing the peak-to-average ratio (PAR) of the input signals using the CFR block and linearizing the power amplifier (PA) using the DPD block, the GC5322 reduces the costs of multicarrier PAs (MCPA) for wireless infrastructure applications. The GC5322 applies CFR and DPD, and a separate microprocessor (a Texas Instruments TMS320C6727 DSP) is used to optimize performance levels and maintain target PA performance levels.

By including the GC5322 in their system architecture, manufacturers of BTS equipment can realize significant savings on power-amplifier bill of materials (BOM) and overall operational costs due to the PA efficiency improvement. The GC5322 meets multicarrier 3G performance standards (PCDE, composite EVM, and ACLR) at PAR levels down to 6.5 dB and improves the ACLR, at the PA output, by 20 dB or more. The GC5322 integrates easily into the transmit signal chain between baseband processors (such as the Texas Instruments TMS320C64x™ DSP family) and TI high-performance data converters.

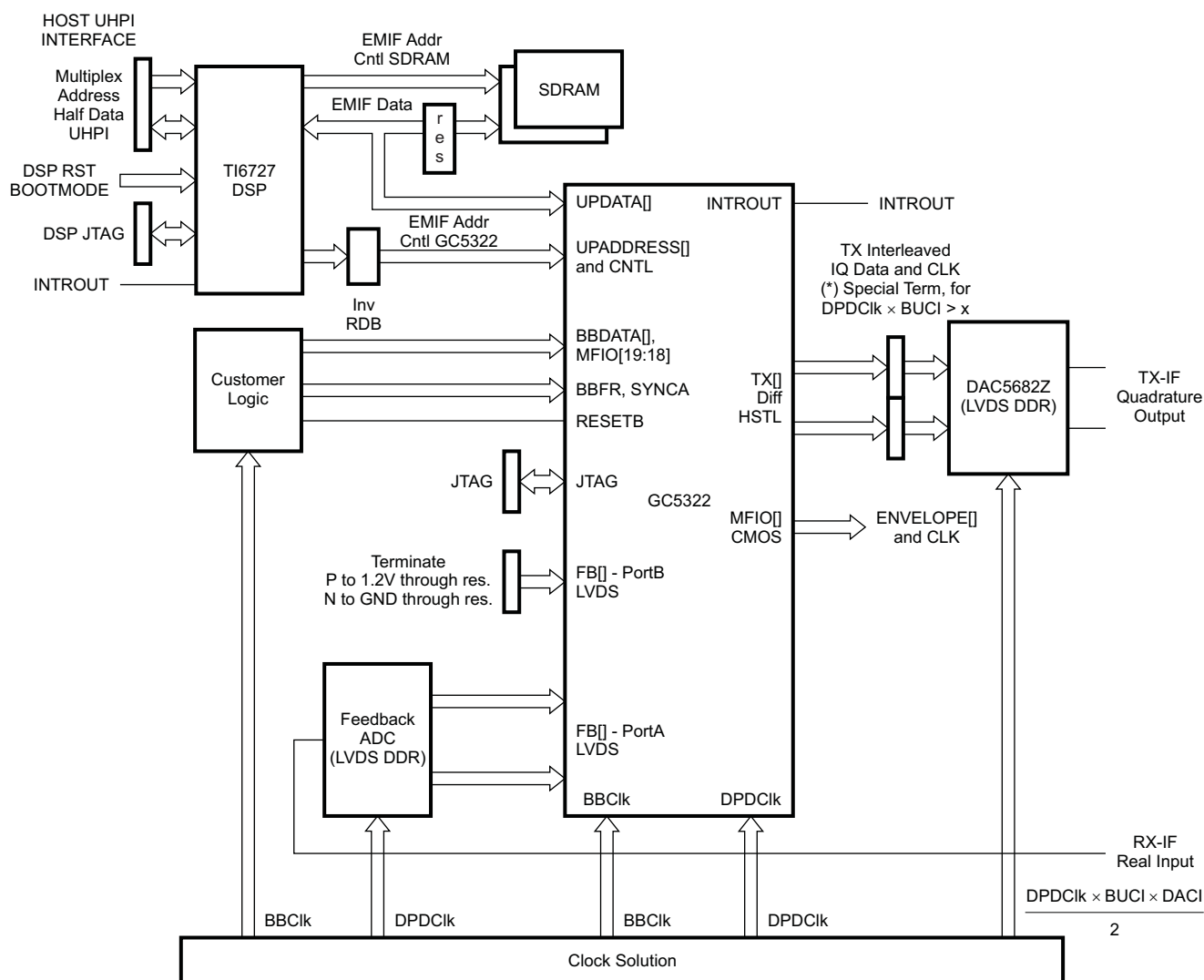
A typical GC5322 system application includes the following transmit-chain components:

- TMS320C6727 digital signal processor (DSP)
- DAC5682 16-bit, 1-GSPS DAC; DAC5688 16-bit, 800-MSPS DAC (transmit path)
- CDCM7005, CDCE72010 clock generator
- TRF3761 integrated VCO/PLL synthesizer
- TRF3703 quadrature modulator
- ADS5517 11-bit 200-MSPS ADC or ADS6149 14-bit, 250-MSPS ADC (feedback path)
- AMC7823 analog monitoring and control circuit with GPIO and SPI

GC5322 SYSTEM ARCHITECTURE

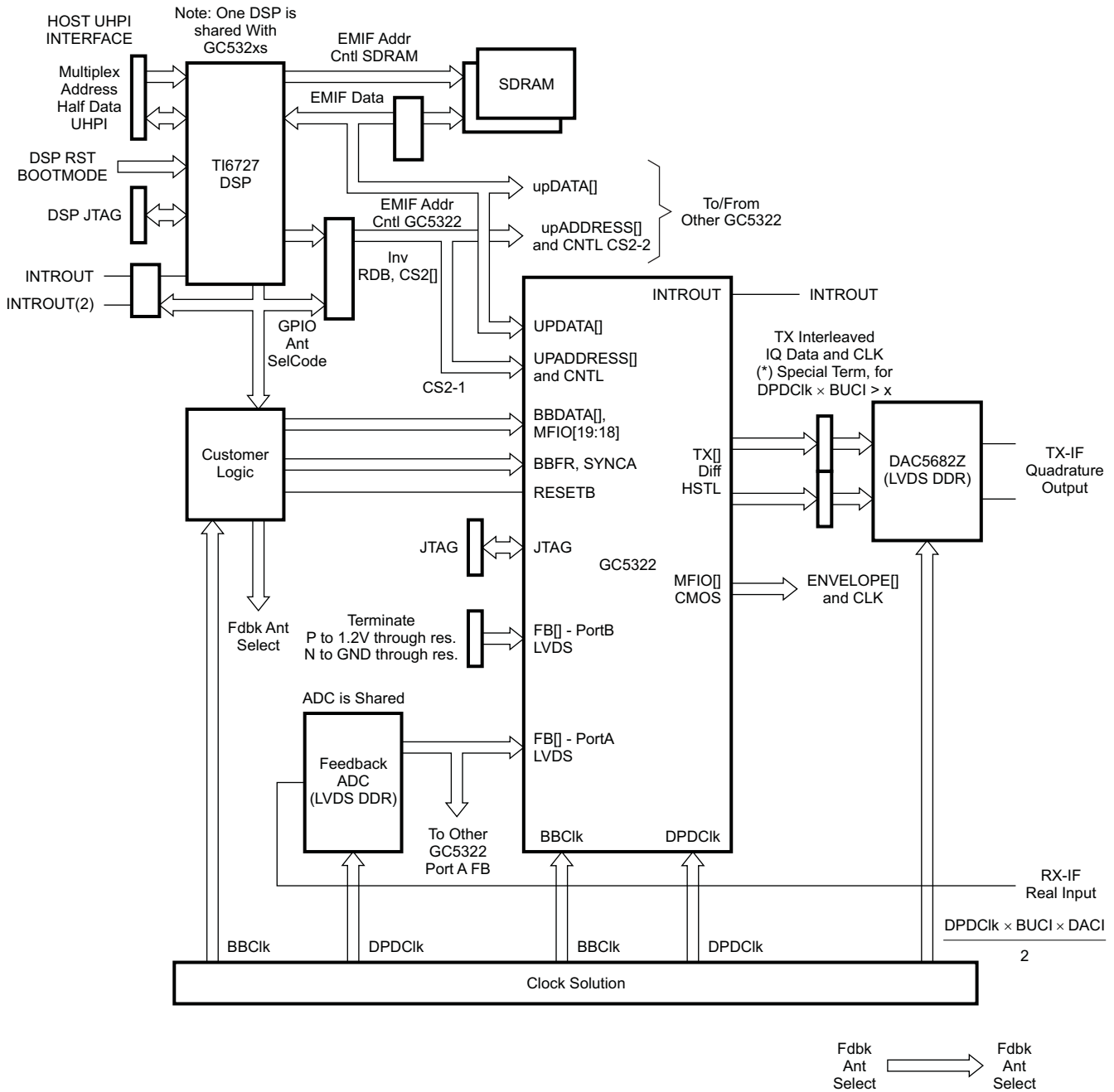
The GC5322 system architecture can be modified to suit a number of different antenna streams. There is a tradeoff between the number of antenna streams per GC5322, and shared ADC feedback. Figure 1 shows a single-antenna configuration, where one GC5322 is used. There are several other architectures possible:

| Architecture | Figure | Benefit | Tradeoff/Complexity |
|--|----------|---|--|
| One antenna stream, up to 140-MHz DPD bandwidth, added envelope output (fifth-order correction, 28-MHz BW) | Figure 1 | Magnitude output for power amplifier drain modulator can increase efficiency | |
| Two antenna streams, up to 140-MHz DPD bandwidth, shared feedback ADC (fifth-order correction, 28-MHz BW) | Figure 2 | Reduced cost of feedback path DSP shared between two GC5322s; GC5325 EVM as example | DSP must output antenna-select value using HD22.20. Antenna-select value is also used to select CS2-CEB(2). Slower adaptation time |



B0379-01

Figure 1. Single-Antenna GC5322 System Diagram (Envelope Output Added)



B0380-01

Figure 2. Dual Antenna, Two GC5322s (One Shown), Shared Feedback

Baseband Interface

The GC5322 BB interface block accepts baseband signals over an interleaved IQ parallel interface at a clock rate of up to 93 Mhz. The input interface supports up to 12 separate baseband carriers. The DUC interpolation, baseband clock, and number of channels must be programmed to allow all I and Q DUC channels to be received within the interpolation number of clocks. The GPP and DUC can be bypassed, and the interleaved IQ data can be directly input to CFR; the BB clock can be up to 140 MHz, 70 MHz complex rate in this mode. The baseband interface has 18 bits of data (top 16) BBData[15:0], BBFrame, and two additional data bits (bottom two data) MFIO[18:19].

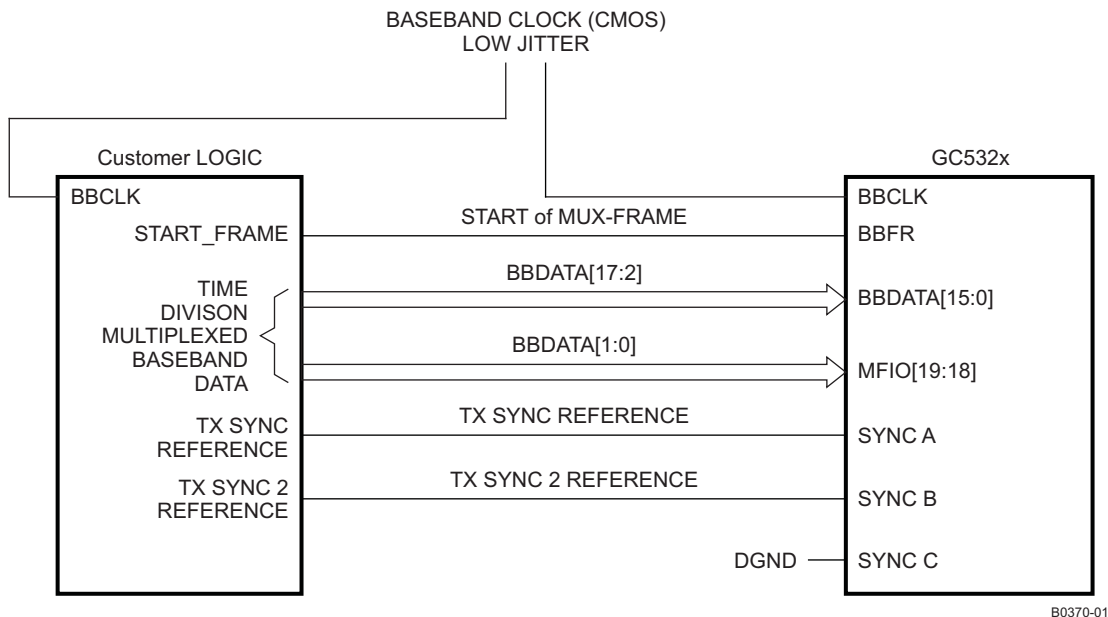


Figure 3. Baseband and Sync Interface to GC5322

BB Clock Input

The baseband clock input is a CMOS, low-jitter clock.

Gain/Pilot Insertion/AntCal Insertion/Power Meter

Baseband gain can be applied on a per-carrier basis to control the individual channel power accurately through the system. A UMTS pilot sequence at a programmable gain can be added for antenna calibration. Each individual baseband channel has an integrated $I^2 + Q^2$ power accumulator. There is a common control for the power meters.

Digital Upconverters (DUCs)

The GC5322 DUC block has interpolation filters, programmable delays, and complex mixers for each channel. There are two DUC blocks within the GC5322. The sum chain after the DUC channel combines the DUC channel streams or the bypass stream and sends the data to the CFR block. Each DUC can operate in one wide, two medium, or six CDMA channels. Each DUC has a PFIR for spectral shaping, a CFIR for interpolation and image rejection, and a bulk interpolation CIC. The two DUCs can support:

- (6-channel/DUC mode) up to 12 – 1.23(8) Mhz CDMA, 1xEVDO, or TDSCDMA carriers
- (2-channel/DUC mode) up to 4 – WCDMA or LTE-5 carriers
- (2-channel/DUC mode) up to 3 – WiBro, WiMAX-10 carriers
- (1-channel/DUC mode) up to 2 – WiBro, WiMAX, LTE-10 carriers
- (1-channel/DUC mode) 1 – WiMAX or LTE-20 carrier

Users can specify the filter characteristics of the DUC programmable finite impulse response (PFIR), compensating finite impulse response (CFIR), and cascade integrator comb (CIC) filters. Users can also specify the center frequencies of each carrier with a resolution of 0.25 μ Hz. Additional controls available in the DUCs include bulk and fractional time-delay adjustments, and phase adjustments. The maximum DUC output bandwidth is limited to the BB maximum rate, and the usable channel and phase adjustments.

Crest Factor Reduction (CFR)

The GC5322 CFR block selectively reduces the peak-to-average ratio (PAR) of wideband digital signals. There are four peak-detection cancellation sections in series in the CFR block. Each stage compares the estimated peak at the stage input with the target, and subtracts a scaled cancellation peak from the signal. There are 24 cancellers pooled among the four stages. The CFR interpolation filter must have at least 1.6x bandwidth, typical is 2x BB clock-to-signal bandwidth.

There are four canceller memories, and an update shadow memory, that can be used for the auto-IPDL UMTS select cancellation filter. The shadow memory allows the user to update one of the four filter banks during operation. The CFR block has a composite RMS meter that can monitor the CFR input.

The CFR block for WCDMA reduces TM1, TM3 signals for four adjacent carriers to 6.5 db PAR within the 3GPP limit. The WiMAX-10 reduction for two adjacent carriers is to 8.5 db PAR. TDSCDMA and CDMA performance are limited by the carrier allocations and carrier coding.

Fractional Farrow Resampler (FR)

The fractional resampler block takes the composite DUC signal from CFR and resamples this through fractional interpolation to the DPD clock / 2. The user-programmable Farrow resampler supports upsampling rates from 1x to 64x, with 16-bit precision on the interpolation ratio. After the fractional interpolation, a complex mixer is available to provide a composite carrier IF offset frequency. A peak I or Q monitor is provided.

Digital Predistortion (DPD)

The DPD block provides predistortion for up to Nth-order nonlinearities, and can correct multiple orders and lengths of PA memory effects. The circular hard limiter provides a circular clipper that limits the magnitude-squared value to -6 dbfs. This is optimized for hardware, and for the allowed gain expansion in the nonlinear DPD correction.

The DPD has an RMS power meter and a peak I or Q monitor.

The predistortion is performed for the nonlinear correction in the DPD section. The linear correction is performed in the TX equalizer. The predistortion correction terms are computed by an external processor (TMS320C6727 DSP) based on capture buffer information and the DPD software.

The DSP sets up the condition for collecting capture buffer data, retrieves the captured data over the EMIF bus, and then performs calculations to compute the error and corrections to be used for the transmit path.

The host interface controls the mode of operation of the software in the TI DSP. TI provides a base delivery of 'C6727 software to GC5322 customers that achieves a typical ACLR improvement of 20 dB or more when compared to a PA without DPD. The standard EMIF bus allows the user to provide an alternate DPD adaptation algorithm and DSP embodiment, if desired.

DPD Clock Input

The DPD clock input is an LVDS, low-jitter clock.

SyncD – DPD Clocked Sync Input

Sync D, DC (if used) is registered with the DPD clock.

Bulk Upconverter (BUC)

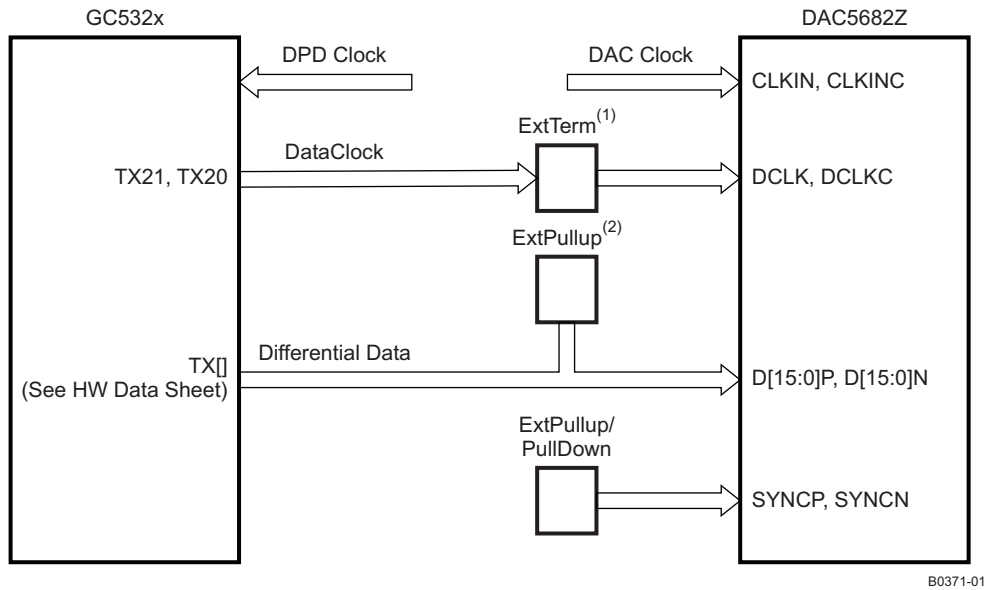
The bulk upconverter block can interpolate the DPD block output by 2x or 3x with a complex output. The BUC can also have no interpolation. The BUC interpolation, and the DAC interpolation are used to interpolate the DPD predistorted output. The BUC mixer can translate the composite IQ predistorted TX output if the BUC interpolation is > 1.

Output Formatter and DAC Interface (OFMT)

The output format and DAC interface presents the GC5322 output in the proper format for the different DAC output interfaces. The output formatter supports a test pattern for testing the DAC5682Z interface. The output interfaces supported for the GC5322 are:

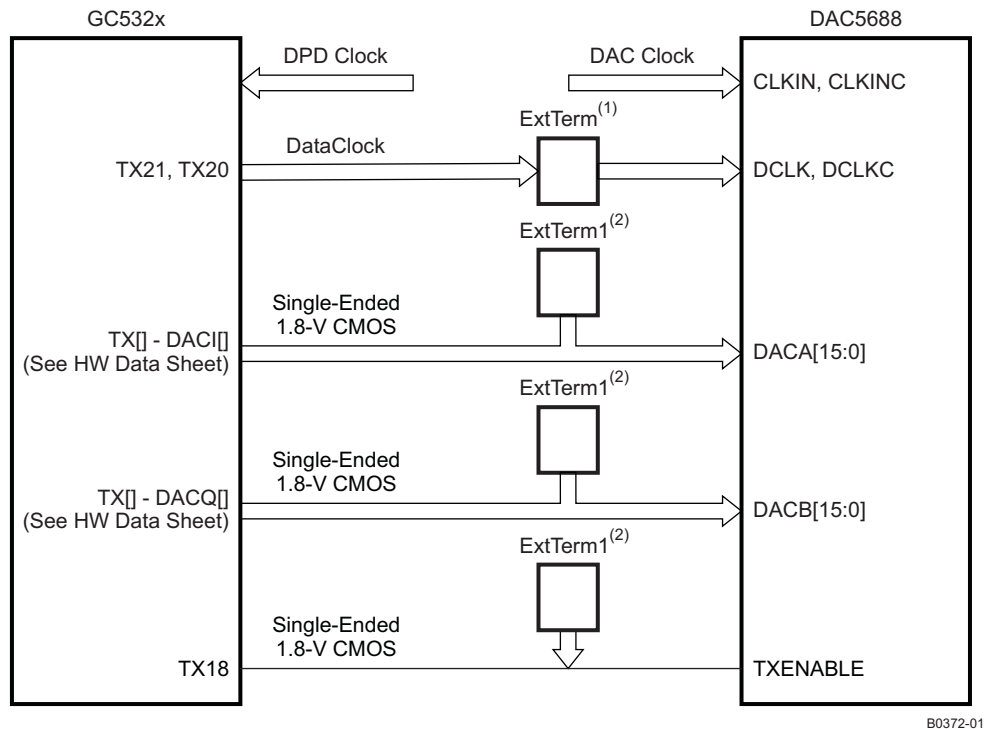
- DAC5682 interleaved IQ

- DAC5688 parallel IQ !!!



- (1) 100 Ω between P, N of series capacitor on DAC
- (2) 500- Ω pullup to 1.8 V only required when DAC data clock is > 337.5 MHz

Figure 4. GC5322 to DAC5682Z Interface



- (1) 100 Ω between P, N of series capacitor on DAC
- (2) Tester uses 50 Ω to 0.9 V for data lines; TXENABLE 100 Ω to 1.8 V, 100 Ω to ground.

Figure 5. GC5322 to DAC5688 (Parallel IQ) Interface

Feedback Path (FB)

The feedback path has two LVDS input ports. The A port is preferred (it has better timing). The external ADC input is converted or processed to generate a complex signal. The feedback equalizer has eight complex taps as a receive equalizer. The feedback path has a mixer to translate the complex IF to the OIF reference. The ADC feedback rate is at the same rate as the DPD clock (f_S). The typical feedback is $f_S/4$, $f_S/4(m)$, or $f_S/4$ IF. The feedback equalizer can provide (m) inverted spectral output, if needed.

The FB complex mixer translates the frequency of the complex input signal to OIF. The feedback path has the capability for nonlinear correction with a lookup table. TI ADCs that connect to the feedback path are the SDR type ADS5444, DDR type ADS5445 (6149, 5517), DDR with reversed-data-phase ADSC217 and ADS5463. The ADC feedback path has modified connections for shared feedback path operation (see Figure 2). The GC5322 simplifies timing by providing a FIFO for each ADC port.

NOTE

There are eight LVDS data lanes and one LVDS clock lane. If the ADC has < 8 LVDS data lanes, the MSB of the ADC is connected to LVDS lane 7 (MSB) of the A feedback port.

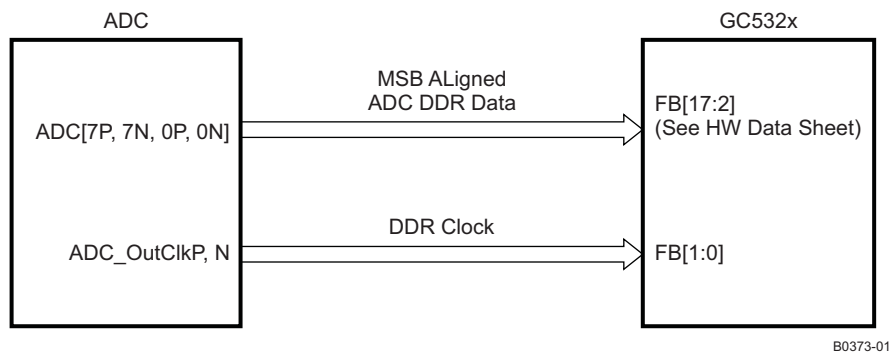


Figure 6. LVDS DDR ADC to GC5322 FB Interface

Microprocessor (MPU) Interface

The MPU interface is designed to interface with external memory interface (EMIF) ports on TI DSPs operating in asynchronous mode. It consists of a 16-bit bidirectional data bus, a 10-bit address bus, and RDB, WRB, OEB, and CEB control signals. There are EMIF control signals which are not directly connected to the DSP:

Table 1. EMIF to GC5322 Microprocessor Interface

| 6727 DSP EMIF | GC5322 | Notes |
|---------------|--------------|---|
| EM_D[15:0] | UPDATA[15:0] | |
| EM_A[8:0] | UPADDR[9:1] | |
| EM_BA[1] | UPADDR[0] | |
| EM_CS2 | CEB | DSP HD[22:20] are used for logic for multiple chip select, inverted output. |
| EM_RWB | OEB | Invert RWB, send to OEB |
| EM_WEB | WRB | |
| EM_OEB | RDB | |

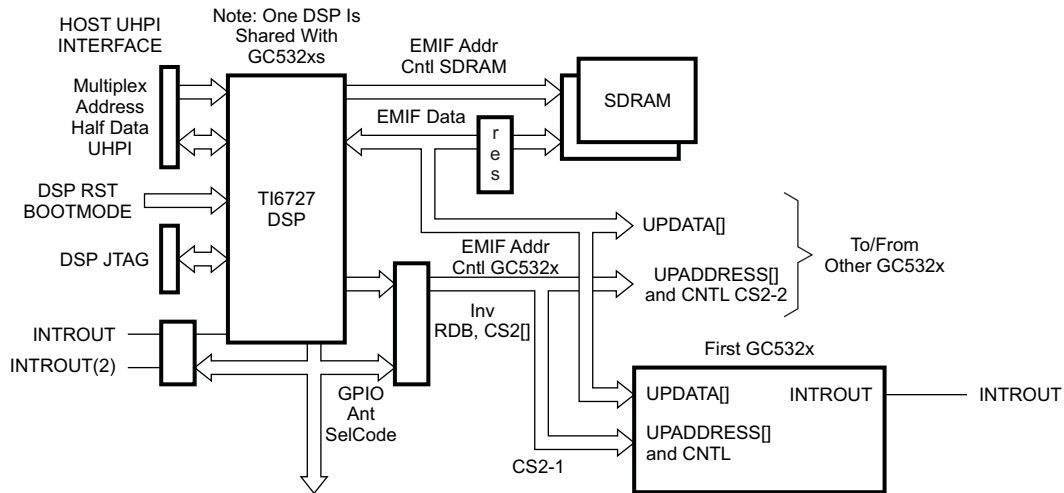


Figure 7. '6727 DSP to GC5322 EMIF Interface

Capture Buffers (CB)

The GC5322 has two capture buffers of 4096 complex words. The capture buffers are normally used to capture the TX reference signal and the feedback output signal. Other signals can be captured:

- The TX reference from the DPD after the circular hard limiter
- The feedback output; this represents the waveform as seen by the PA.
- The error output
- Testbus(31:16)
- QRD error output

The second capture buffer can be used to provide:

- The TX reference from the DPD after the circular hard limiter
- The feedback output; this represents the waveform as seen by the PA.
- The error output
- Testbus(15:0)

Standard capture mode – The capture buffers can be armed to collect the 4K complex samples after a programmable delay following a sync event.

Smart capture mode (SCB) – There are two trigger conditions that combine the number of samples greater than a threshold; these are used to find a number of peak events while the transmit signal is above a threshold. In this case, the magnitude and magnitude squared of the signal are compared against a threshold and counted. If the capture buffer finds the trigger condition, the capture logic captures the programmed capture-buffer depth after the trigger. This is a combination of DSP software and the GC5322 hardware.

NOTE

Capture buffer A has a special mode to source data for diagnostic testing.

The DSP host interface software has a function to select and get capture-buffer data. The complex data is passed from the GC5322 to the EMIF bus, to the DSP, and back to the host processor.

The DSP host software has a signal power monitoring function. This uses the capture-buffer data to perform special monitoring, power measurement, and error measurements.

NOTE

There are special DSP software PA protection modes that use the capture buffer to determine the DPD correction applied to the signal, the error between the DPD reference input and the feedback signal. The capture buffers are also used in the initial bulk delay and fractional delay alignment.

Input Syncs and Output Sync

The GC5322 features multiple user-programmable input syncs. There are three syncs sampled with the BBCKlock, (A, B, C), and the sync D, DC as an LVDS sync is sampled by the DPD clock. Internally, the GC5322 can also generate timed and software-controlled syncs. The sync A input is required for the GC5322 hardware to initialize. It should ideally be the start of the frame or frame down link. The output sync is a test signal used for debugging.

The input syncs can be used to trigger:

- Power measurements
- DUC channel delay, dither, and tuner alignment
- Initializing/loading the DUC, feedback, equalizer, LUTs, etc.
- Feedback path tuner alignment
- Capturing and sourcing of data through SCBs

NOTE

The Sync A external synchronization should match the customer TX frame (total TX period – i.e., 5 ms). See [Figure 3](#); these synchronization signals must meet the timing of the BBCKl. Sync A should be aligned with the BBFR signal.

Power Meters and Peak I-or-Q Monitors

There are three integrated $I^2 + Q^2$ power meters in the GC5322:

- GPP – each baseband input channel
- CFR – the CFR input or output, and which antenna stream (0, 1)
- DPD – the input to the DPD nonlinear correction after the DPDL gain, and which antenna stream (0, 1)

There are several peak I or Q monitors within the GC5322:

- FRW – The resampled combined IQ interleaved input to the DPD
- DPD – The input to the DPD nonlinear correction after the DPDL gain
- DPD – After the nonlinear correction in DPD, and separately after the linear correction in DPD
- FDBK – There is a peak monitor at the output of the feedback path.

NOTE

The DSP host software has a HW POWER meter setup and Get(Monitor) function to configure and get data from the integrated $I^2 + Q^2$ values.

PIN ASSIGNMENT AND DESCRIPTIONS

ZND Package
(Bottom View)

| | 26 | 25 | 24 | 23 | 22 | 21 | 20 | 19 | 18 | 17 | 16 | 15 | 14 | 13 | 12 | 11 | 10 | 9 | 8 | 7 | 6 | 5 | 4 | 3 | 2 | 1 |
|----|---------|---------|---------|---------|----------|----------|---------|-------|------|----------|------|------|------|---------|---------|------|-------|----------|-------|---------|------|------------|-----------|-----------|-----------|-----------|
| A | VSS1 | VSS1 | VSS1 | VSS1 | FB1 | FB5 | FB9 | FB11 | FB15 | FB17 | FB21 | FB25 | FB27 | VDD SHV | FB31 | FB35 | VSSA2 | SYNC C | BB15 | BB11 | BB7 | BB3 | BB0 | VSS1 | VSS1 | VSS1 |
| B | VDD1 | VSS1 | VSS1 | VSS1 | FB0 | FB4 | FB8 | FB10 | FB14 | FB16 | FB20 | FB24 | FB26 | VDD SHV | FB30 | FB34 | VDDA2 | SYNC B | BBFR | BB12 | BB8 | BB4 | BB1 | VSS1 | VSS1 | VDD1 |
| C | VSS1 | VDD1 | VSS1 | VSS1 | MFIO 0 | FB3 | FB7 | VDD1 | FB13 | ADC IREF | FB19 | FB23 | VDD1 | VDD SHV | FB29 | FB33 | VDD1 | SYNC A | BBCLK | BB13 | BB9 | BB5 | BB2 | VSS1 | VDD1 | VSS1 |
| D | VSS1 | VSS1 | VDD1 | VSS1 | MFIO 1 | FB2 | FB6 | VDD1 | FB12 | ADC VREF | FB18 | FB22 | VDD1 | VDD SHV | FB28 | FB32 | VSS1 | SYNC OUT | VDD1 | BB14 | BB10 | BB6 | VSS1 | VDD1 | VSS1 | VSS1 |
| E | VSS1 | VSS1 | VSS1 | VDD1 | | | | | | | | | | | | | | | | | | | VDD1 | VSS1 | VSS1 | VSS1 |
| F | VSS1 | VSS1 | VSS1 | VDD1 | | | | | | | | | | | | | | | | | | | VDD1 | VDD1 | VSS1 | VSS1 |
| G | VSS1 | VSS1 | VSS1 | VDD SHV | | | | | | | | | | | | | | | | | | | VDD SHV | VSS1 | VSS1 | VSS1 |
| H | MFIO 2 | MFIO 3 | VPP1 | VDD1 | | | | | | | | | | | | | | | | | | | VDD1 | UP ADDR2 | UP ADDR1 | UP ADDR0 |
| J | VPP1 | MFIO 4 | MFIO 5 | VDD1 | | | | | | | | | | | | | | | | | | | VDD1 | UP ADDR5 | UP ADDR4 | UP ADDR3 |
| K | MFIO 6 | MFIO 7 | VDD SHV | VDD1 | | | | | | | | | | | | | | | | | | | VDD1 | UP ADDR8 | UP ADDR7 | UP ADDR6 |
| L | MFIO 8 | MFIO 9 | MFIO 10 | VDD1 | | | | | | | | | | | | | | | | | | | VDD1 | VDD SHV | WRB | UP ADDR9 |
| M | MFIO 11 | MFIO 12 | MFIO 13 | VDD1 | | | | | | | | | | | | | | | | | | | VDD1 | OEB | CEB | RDB |
| N | MFIO 14 | MFIO 15 | VDD SHV | VDD1 | | | | | | | | | | | | | | | | | | | VDD1 | UP DATA2 | UP DATA1 | UP DATA0 |
| P | MFIO 16 | MFIO 17 | MFIO 18 | VDD1 | | | | | | | | | | | | | | | | | | | VDD1 | VDD SHV | VSS1 | VSS1 |
| R | MFIO 19 | MFIO 20 | MFIO 21 | VDD1 | | | | | | | | | | | | | | | | | | | VDD1 | UP DATA5 | UP DATA4 | UP DATA3 |
| T | MFIO 22 | MFIO 23 | MFIO 24 | VDD1 | | | | | | | | | | | | | | | | | | | VDD1 | VDD SHV | VPP2 | UP DATA6 |
| U | MFIO 25 | MFIO 26 | VDD SHV | VDD1 | | | | | | | | | | | | | | | | | | | VDD1 | UP DATA8 | UP DATA7 | VPP2 |
| V | MFIO 27 | MFIO 28 | MFIO 29 | VDD1 | | | | | | | | | | | | | | | | | | | VDD1 | UP DATA11 | UP DATA10 | UP DATA9 |
| W | MFIO 30 | MFIO 31 | MFIO 32 | VDD1 | | | | | | | | | | | | | | | | | | | VDD1 | UP DATA14 | UP DATA13 | UP DATA12 |
| Y | MFIO 33 | VSS1 | VSS1 | VDD1 | | | | | | | | | | | | | | | | | | | VDD SHV | VSS1 | VSS1 | UP DATA15 |
| AA | VSS1 | VSS1 | VSS1 | VDD1 | | | | | | | | | | | | | | | | | | | VDD1 | VSS1 | VSS1 | VSS1 |
| AB | VSS1 | VSS1 | VSS1 | VDD1 | | | | | | | | | | | | | | | | | | | VDD1 | VDD1 | VSS1 | VSS1 |
| AC | VSS1 | VSS1 | VDD1 | RESET B | VDD SHV | DPD CLK | VSS1 | VDD1 | TX2 | TX6 | TX10 | TX14 | VDD1 | VSS1 | DAC REF | TX25 | TX29 | TX33 | TX37 | VSS1 | VDD1 | VDD2 | VSS1 | VDD1 | VSS1 | VSS1 |
| AD | VSS1 | VDD1 | VSS1 | VSS1 | DPD IREF | DPD CLKC | VSS1 | VDDA1 | TX3 | TX7 | TX11 | TX15 | VDD1 | VSS1 | DAC REF | TX24 | TX28 | TX32 | TX36 | VDD SHV | VDD1 | VSS2 | VSS1 | VSS1 | VDD1 | VSS1 |
| AE | VDD1 | VSS1 | VSS1 | VSS1 | DPD VREF | SYNC D | VDD SHV | TX0 | TX4 | TX8 | TX12 | TX16 | VDD1 | TX19 | TX21 | TX23 | TX27 | TX31 | TX35 | TRSTB | TDI | INTER-RUPT | VSS1 | VSS1 | VSS1 | VDD1 |
| AF | VSS1 | VSS1 | VSS1 | VSS1 | VSS1 | SYNC DC | VSSA1 | TX1 | TX5 | TX9 | TX13 | TX17 | VSS1 | TX18 | TX20 | TX22 | TX26 | TX30 | TX34 | TMS | TCK | TDO | TEST MODE | VSS1 | VSS1 | VSS1 |

- = Baseband Input
- = Transmit Output
- = Feedback Input
- = Microprocessor Interface
- = Miscellaneous
- = Multi-Function Input/Output
- = Power and Biasing
- = JTAG Interface

P0077-01

PIN FUNCTIONS

| PIN | | I/O | DESCRIPTION |
|---------------------------------|---|-----|--|
| NAME | NO. | | |
| MICROPROCESSOR INTERFACE | | | |
| OEB | M3 | I | Output enable |
| CEB | M2 | I | Chip enable |
| RDB | M1 | I | Read |
| WRB | L2 | I | Write |
| UPADDR[9:0] | L1, K3, K2, K1, J3, J2, J1, H3, H2, H1 | I | Microprocessor address |
| UPDATA[15:0] | Y1, W3, W2, W1, V3, V2, V1, U2, U1, T1, R3, R2, R1, N3, N2, N1 | I/O | Microprocessor data |
| INTERRUPT | AE5 | O | Microprocessor interrupt |
| POWER AND BIASING | | | |
| VDD1 | B1, B26, C2, C10, C14, C19, C25, D3, D8, D14, D19, D24, E4, E23, F3, F4, F23, H4, H23, J4, J23, K4, K23, L4, L23, M4, M23, N4, N23, P4, P23, R4, R23, T4, T23, U4, U23, V4, V23, W4, W23, Y23, AA4, AA23, AB3, AB4, AB23, AC3, AC6, AC19, AC24, AD2, AD6, AD25, AE1, AE26 | PWR | 1.2-V supply |
| VSS1 | A1, A2, A3, A23, A24, A25, A26, B2, B3, B23, B24, B25, C1, C3, C23, C24, C26, D1, D2, D4, D10, D23, D25, D26, E1, E2, E3, E24, E25, E26, F1, F2, F24, F25, F26, G1, G2, G3, G24, G25, G26, P1, P2, Y2, Y3, Y24, Y25, AA1, AA2, AA3, AA24, AA25, AA26, AB1, AB2, AB24, AB25, AB26, AC1, AC2, AC4, AC7, AC13, AC20, AC25, AC26, AD1, AD3, AD4, AD13, AD20, AD23, AD24, AD26, AE2, AE3, AE4, AE23, AE24, AE25, AF1, AF2, AF3, AF14, AF22, AF23, AF24, AF25, AF26 | PWR | Ground |
| VDD2 | AC5 | NC | 1.2-V monitor, no connect |
| VSS2 | AD5 | NC | GND monitor, no connect |
| VDDS | AC14, AD14, AE14 | PWR | 1.8-V supply |
| VDDSHV | A13, B13, C13, D13, G4, G23, K24, L3, N24, P3, T3, U24, Y4, AC22, AD7, AE20 | PWR | 3.3-V supply |
| VDDA1 | AD19 | PWR | 1.2-V supply (requires filtering) |
| VSSA1 | AF20 | PWR | Ground (requires filtering) |
| VDDA2 | B10 | PWR | 1.2-V supply (requires filtering) |
| VSSA2 | A10 | PWR | Ground (requires filtering) |
| VPP1 | H24, J26 | PWR | 1.2-V supply |
| VPP2 | T2, U1 | PWR | 1.2-V supply |
| DPDIREF | AD22 | PWR | DPD bias, 1 k Ω to VSS |
| DPDVREF | AE22 | PWR | DPD bias to VDD1 |
| DACREFP | AC12 | PWR | DAC bias, 50 Ω to VSS |
| DACREFN | AD12 | PWR | DAC bias, 50 Ω to VDDS |
| ADCIREF | C17 | PWR | ADC bias, 1 k Ω to VSS |
| ADCVREF | D17 | PWR | ADC bias to VDD1 |
| BASEBAND INPUT | | | |
| BB[15:0] | A8, D7, C7, B7, A7, D6, C6, B6, A6, D5, C5, B5, A5, C4, B4, A4 | I | Baseband input signal |
| BBCLK | C8 | I | Baseband input clock |
| BBFR | B8 | I | Baseband frame for sample and channel timing |
| MFIO[19:18] | R26, P24 | I | LSBs for 18-bit baseband input signal [-2, -1] |
| MISCELLANEOUS | | | |
| RESETB | AC23 | I | Chip reset (active-low) |
| SYNCA | C9 | I | Programmable general-purpose sync |

PIN FUNCTIONS (continued)

| PIN | | I/O | DESCRIPTION |
|--|--|-----|---|
| NAME | NO. | | |
| SYNCB | B9 | I | Programmable general-purpose sync |
| SYNCC | A9 | I | DPDI-purpose sync |
| SYNCD | AE21 | I | Programmable general-purpose sync |
| SYNCD | AF21 | I | Complementary DPD-purpose sync |
| SYNCOUT | D9 | O | Programmable general-purpose output sync |
| DPDCLK | AC21 | I | Clock to DPD |
| DPDCLKC | AD21 | I | Complementary clock to DPD |
| TESTMODE | AF4 | I | Tie to ground |
| JTAG INTERFACE | | | |
| TCK | AF6 | I | JTAG clock |
| TDI | AE6 | I | JTAG data in |
| TDO | AF5 | O | JTAG data out |
| TRSTB | AE7 | I | JTAG reset (active-low); pull down if JTAG is not used. |
| TMS | AF7 | I | JTAG mode select |
| SIGNALS (See mode selection guide for pin assignment) | | | |
| TX[37:0] | AC8, AD8, AE8, AF8, AC9, AD9, AE9, AF9, AC10, AD10, AE10, AF10, AC11, AD11, AE11, AF11, AE12, AF12, AE13, AF13, AF15, AE15, AD15, AC15, AF16, AE16, AD16, AC16, AF17, AE17, AD17, AC17, AF18, AE18, AD18, AC18, AF19, AE19 | O | Transmit to DAC(s) |
| FB[35:0] | A11, B11, C11, D11, A12, B12, C12, D12, A14, B14, A15, B15, C15, D15, A16, B16, C16, D16, A17, B17, A18, B18, C18, D18, A19, B19, A20, B20, C20, D20, A21, B21, C21, D21, A22, B22 | I | Feedback from ADC(s) |
| MFIO[33:0] | Y26, W24, W25, W26, V24, V25, V26, U25, U26, T24, T25, T26, R24, R25, R26, P24, P25, P26, N25, N26, M24, M25, M26, L24, L25, L26, K25, K26, J24, J25, H25, H26, D22, C22 | I/O | MFIO |

Special Power Supply Requirements for VDDA1, VSSA1, VDDA2, VSSA2

The two PLLs require a filtered supply. Each pair (VDDA1,VSSA1), (VDDA2,VSSA2) requires a separate filter. These can be generated by filtering the core digital supply (VDD1). A representative filter is shown in [Figure 8](#). The filters should be located as close as reasonable to their respective pins (especially the bypass capacitors). The ferrite beads should be series 50R (similar to Murata P/N: BLM31P500SPT; Description: IND FB BLM31P500SPT 50R 1206). In particular, supply VDDA1 must be less than or equal to VDD1 when VDD1 is at the low end of the required range. The series resistor assures this condition is met.

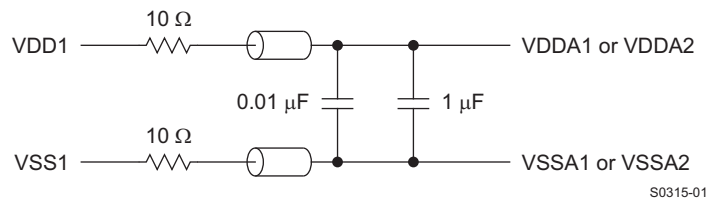


Figure 8. Recommended Filter for VDDA1, VDDA2 Power

TX Output to DAC5682Z and DAC5688

Figure 4 and Figure 5 show the GC5322-to-DAC data, sync, and clock signals. Table 2 and Table 4 list the specific GC5322-to-DAC TX connections.

Table 2. GC5322 TX Interface Options

| PIN FUNCTION | PIN NAME | I/O | DESCRIPTION |
|--|--|-----|------------------------------|
| GC5322 TX (Single-Channel Single-Ended HSTL – DAC5688 – 1.8-V CMOS) | | | |
| DACI[15:0] | TX15, TX14, TX11, TX10, TX7, TX6, TX3, TX2, TX1, TX0, TX4, TX5, TX8, TX9, TX12, TX13 | O | DAC-I output |
| DACQ[15:0] | TX24, TX25, TX28, TX29, TX32, TX33, TX36, TX37, TX35, TX34, TX31, TX30, TX27, TX26, TX23, TX22 | O | DAC-Q output |
| DACCLK | TX21 | O | Clock to DAC |
| DACCLKC | TX20 | O | Complementary clock to DAC |
| DACSYNC | TX18 | O | Output data sync (TX enable) |

Table 3. GC5322 TX (Single-Channel Differential HSTL – DAC5682Z)

| PIN FUNCTION | PIN NAME | I/O | DESCRIPTION |
|---|---|-----|----------------------------|
| GC5322 TX (Differential HSTL) – DAC 5682Z – 1.2-V LVDS | | | |
| DACI[15:0]P | TX10, TX6, TX2, TX0, TX4, TX8, TX12, TX16, TX23, TX27, TX31, TX35, TX32, TX36, TX29, TX25 | O | DAC positive output |
| DACQ[15:0]N | TX11, TX7, TX3, TX1, TX5, TX9, TX13, TX17, TX22, TX26, TX30, TX34, TX33, TX37, TX28, TX24 | O | DAC negative output |
| DACCLK | TX21 | O | Clock to DAC |
| DACCLKC | TX20 | O | Complementary clock to DAC |
| DACSYNCP | TX14 | O | Positive output data sync |
| DACSYNCPN | TX15 | O | Negative output data sync |

FB Input From LVDS ADC

There are several different ADC formats; these are formed from the possible combinations of DDR and SDR clocking modes with positive-clock-edge even bits and positive-clock-edge odd bits. Figure 6 shows the DDR-ADC data, and clock signals to the GC5322. Table 4 and Table 5 list the specific ADC to GC5322 FB connections. There are two feedback (FB) ports, A and B. Port A has faster timing and is preferred. There are several ADC styles:

- LVDS DDR – ADS5545 (ADS61x9, ADS5517); ADS5463 ⁽¹⁾
 - LVDS DDR – ADS62C17 – reversed data alignment (same connections as ADS5545)
 - LVDS SDR – ADS5544
- (1) Clock aligns with data.

ADCs are typically connected to the GC5322 so the MSB of the ADC is connected to FB Port A MSB. The lower bit numbers follow until the ADC bits are all connected. Any remaining lower-order bits on the FB port should be terminated with a P connection to a series resistor to GND, N connection to a series resistor to 1.8 V as a logic 0. See the GC5325SEK schematic (reference 2 in the References section) for an example.

NOTE

There are special connections for shared-feedback ADCs between GC5322s. The *ADS6149 to GC5325 or GC5322 Shared Feedback Interface* application guide, available as a PDF file from a TI field application engineer, describes the special connections and routing.

Table 4. Single LVDS SDR ADC to FB Ports A and B

| PIN FUNCTION | PIN NAME | I/O | DESCRIPTION |
|---|----------|-----|-------------|
| Feedback (Single-Channel SDR LVDS or DDR LVDS) | | | |

Table 4. Single LVDS SDR ADC to FB Ports A and B (continued)

| PIN FUNCTION | PIN NAME | I/O | DESCRIPTION |
|--------------|--|-----|--------------------------------------|
| ADC[15:0]P | FB2, FB4, FB6, FB8, FB10, FB12, FB14, FB16, FB20, FB22, FB24, FB26, FB28, FB30, FB32, FB34 | I | ADC positive feedback from PA output |
| ADC[15:0]N | FB3, FB5, FB7, FB9, FB11, FB13, FB15, FB17, FB21, FB23, FB25, FB27, FB29, FB31, FB33, FB35 | I | ADC negative feedback from PA output |
| ADCCLK | FB0 | I | Clock from ADC |
| ADCLKC | FB1 | I | Complementary clock from ADC |

Table 5. Single LVDS DDR ADC

| PIN FUNCTION | PIN NAME | I/O | DESCRIPTION |
|---------------------------------|--|-----|--|
| To FB Port A (Preferred) | | | |
| ADCA[7:0]P | FB2, FB4, FB6, FB8, FB10, FB12, FB14, FB16 | I | ADC-A positive feedback from PA output |
| ADCA[7:0]N | FB3, FB5, FB7, FB9, FB11, FB13, FB15, FB17 | I | ADC-A negative feedback from PA output |
| ADCACLK | FB0 | I | Clock from ADC-A |
| ADCACLKC | FB1 | I | Complementary clock from ADC-A |
| To FB Port B | | | |
| ADCB[7:0]P | FB20, FB22, FB24, FB26, FB28, FB30, FB32, FB34 | I | ADC-B positive feedback from PA output |
| ADCB[7:0]N | FB21, FB23, FB25, FB27, FB29, FB31, FB33, FB35 | I | ADC-B negative feedback from PA output |
| ADCBCLK | FB18 | I | Clock from ADC-B |
| ADCBCLKC | FB19 | I | Complementary clock from ADC-B |

Envelope Output

The GC5322 has a magnitude output and magnitude clock that can be delayed to align with the TX output after DPD. The envelope output is transmitted at the DPD clock rate / 2.

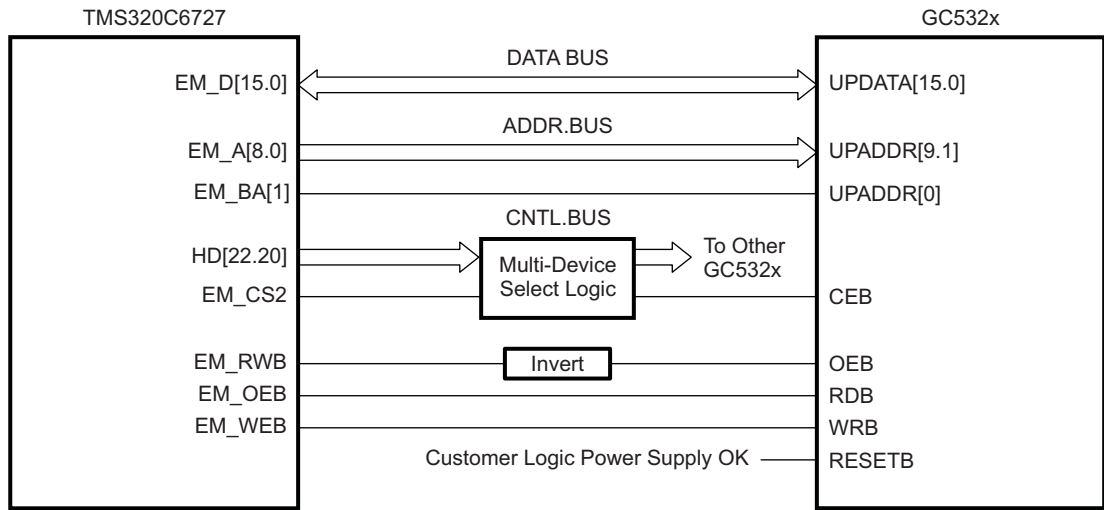
Table 6. Envelope Output

| PIN FUNCTION | PIN NAME | I/O | DESCRIPTION |
|---|---|-----|------------------------------------|
| Envelope (Single-Ended 3.3-V CMOS) | | | |
| ENV[14:0] | MFIO33, MFIO32, MFIO28, MFIO27, MFIO26, MFIO25, MFIO17, MFIO16, MFIO15, MFIO14, MFIO9, MFIO8, MFIO7, MFIO6, MFIO3 | O | Magnitude of the CFR output signal |
| ENVCLK | MFIO1 | O | Clock to envelope modulator |

MPU Interface Guidelines

This section describes the hardware interface between the recommended microprocessor and the GC5322. Users may select a microprocessor that meets their specific system requirements. Although the hardware can support multiple options, the recommended TMS320C6727 DSP is also fully supported with host control and adaptation software. [Figure 7](#) and [Figure 9](#) illustrate the hardware interface from the DSP to GC5322 and SDRAM. The external memory is required to accommodate the computational efforts of the adaptation algorithm. Reference to the SDRAM used is a 64-Mb/PC133; there are two memory devices for 32-bit SDRAM memory. The DSP timing is adjusted for the SDRAM; an example is Samsung K4S641632H-TC(L)75.

The use of an external inverter, with minimal propagation delay, is required for OEB of the GC5322; this device is necessary when using a TMS320C6727 DSP. Additional documentation for the hardware interface is available in the *Hardware Designer's Resource Guide* application report ([SPRAA87](#)) and *TMS320C672x DSP External Memory Interface (EMIF) user's guide* ([SPRU711](#)).



B0377-01

Figure 9. DSP to GC5322/SDRAM Interface Specifications

In a typical implementation, the system configuration software resides locally (in nonvolatile memory) to ensure proper operation at power up. The size of the software required to support the GC5322 and 'C6727 should be no more than 128 Mb (16 MB); however, this allocation is subject to change pending algorithm improvements. The suggested host-to-DSP interface is through the UHPI port. See reference 4 in the [References](#) section. The SDRAM used is a 64-Mb / PC133 SDRAM. There are two SDRAM devices for a 32-bit memory.

The port can be configured into multiple modes of data transfer; the *Multiplexed Host Address/Data Dual Halfword Mode* is suggested for this application.

Additional specifications and documents for the TMS320C6727 DSP are available from Texas Instruments at:

<http://focus.ti.com/docs/prod/folders/print/tms320c6727b.html>.

GENERAL SPECIFICATIONS

ABSOLUTE MAXIMUM RATINGS

| | | VALUE | UNIT |
|-------------------|--|---------------------------|------|
| V_{DD}, V_{DDA} | Core supply voltage | -0.3 to 1.32 | V |
| V_{DDS} | Digital supply voltage for TX | -0.3 to 2 | V |
| V_{DDSHV} | Digital supply voltage | -0.3 to 3.6 | V |
| V_{IN} | Input voltage (under/overshoot) | -0.5 to $V_{DDSHV} + 0.5$ | V |
| | Clamp current for an input/output | -20 to 20 | mA |
| T_{stg} | Storage temperature | -65 to 150 | °C |
| | ESD classification Class 2 (Required 2-kV HBM, 500-V CDM) (Passed 2.5-kV HBM, 500-V CDM, 200-V MM) | | |
| | Moisture sensitivity Class 3 (floor life at 30°C/60% H) | 1 | week |
| Latchup | JEDEC Level 2 per JEDEC 78 standard (at 90°C and $1.5 \times V_{max}$) | ± 100 | mA |

RECOMMENDED OPERATING CONDITIONS

over operating free-air temperature range (unless otherwise noted)

| | | MIN | TYP | MAX | UNIT |
|--|---|--------------------|-----|------|------|
| V_{DD} , V_{DDA2} , V_{PP} | Core supply voltages. Note $V_{DDA2} \leq V_{DD}$ | 1.14 | 1.2 | 1.26 | V |
| V_{DDA1} | Analog supply for DPD PLL | See ⁽¹⁾ | 1.1 | VDD | V |
| V_{DDS} | Digital supply voltage for TX | 1.71 | 1.8 | 1.89 | V |
| V_{DDSHV} | Digital supply voltage | 3.15 | 3.3 | 3.45 | V |
| I_{DD} , I_{DDA1} , I_{DDA2} , I_{PP} | Combined supply current for Vdd, Vdda1, Vdda2, and Vpp | | | 3 | A |
| I_{DDS} | Digital supply current for TX | | | 0.25 | A |
| I_{DDSHV} | Digital supply current | | | 0.3 | A |
| T_C | Case temperature | See ⁽²⁾ | 30 | 85 | °C |
| T_J | Junction temperature | See ⁽³⁾ | | 105 | °C |

- (1) VDDA1 must be less than VDD1 when VDD is low. See recommended filtering circuit in [Figure 8](#). Maximum observed current on VDDA1 is 8 mA.
- (2) Chip specifications are production tested to 90°C case temperature. QA tests are performed at 85°C.
- (3) Thermal management may be required for full-rate operation. Sustained operation at elevated temperatures reduces long-term reliability. Lifetime calculations are based on a maximum junction temperature of 105°C.

THERMAL INFORMATION

| THERMAL METRIC ⁽¹⁾ | | GC5322 | UNIT |
|-------------------------------|---|----------|------|
| | | ZND | |
| | | 352 PINS | |
| θ_{JA} | Junction-to-ambient thermal resistance ⁽²⁾ | 19 | °C/W |
| θ_{Jctop} | Junction-to-case (top) thermal resistance ⁽³⁾ | 0.8 | °C/W |
| θ_{JB} | Junction-to-board thermal resistance ⁽⁴⁾ | 9 | °C/W |
| ψ_{JT} | Junction-to-top characterization parameter ⁽⁵⁾ | 0.5 | °C/W |
| ψ_{JB} | Junction-to-board characterization parameter ⁽⁶⁾ | 8 | °C/W |
| θ_{Jcbot} | Junction-to-case (bottom) thermal resistance ⁽⁷⁾ | N/A | °C/W |

- (1) For more information about traditional and new thermal metrics, see the *IC Package Thermal Metrics* application report, [SPRA953](#).
- (2) The junction-to-ambient thermal resistance under natural convection is obtained in a simulation on a JEDEC-standard, high-K board, as specified in JESD51-7, in an environment described in JESD51-2a.
- (3) The junction-to-case (top) thermal resistance is obtained by simulating a cold plate test on the package top. No specific JEDEC-standard test exists, but a close description can be found in the ANSI SEMI standard G30-88.
- (4) The junction-to-board thermal resistance is obtained by simulating in an environment with a ring cold plate fixture to control the PCB temperature, as described in JESD51-8.
- (5) The junction-to-top characterization parameter, ψ_{JT} , estimates the junction temperature of a device in a real system and is extracted from the simulation data for obtaining θ_{JA} , using a procedure described in JESD51-2a (sections 6 and 7).
- (6) The junction-to-board characterization parameter, ψ_{JB} , estimates the junction temperature of a device in a real system and is extracted from the simulation data for obtaining θ_{JA} , using a procedure described in JESD51-2a (sections 6 and 7).
- (7) The junction-to-case (bottom) thermal resistance is obtained by simulating a cold plate test on the exposed (power) pad. No specific JEDEC standard test exists, but a close description can be found in the ANSI SEMI standard G30-88.

GENERAL ELECTRICAL CHARACTERISTICS

Describes the electrical characteristics for the baseband interface, multifunction I/O (MFIO), DPD clock and fast sync, MPU and JTAG interfaces over recommended operating conditions. Device is production tested at 90°C for the given specification and characterized at –40°C (unless otherwise noted).

| PARAMETER | | TEST CONDITIONS | MIN | TYP | MAX | UNIT |
|--|--|---|------|-----|--------------------|------|
| CMOS INTERFACE | | | | | | |
| V _{IL} | CMOS voltage input, low | | | | 0.8 | V |
| V _{IH} | CMOS voltage input, high | | 2 | | V _{DDSHV} | V |
| V _{OL} | CMOS voltage output, low | I _{OL} = 2 mA | | | 0.5 | V |
| V _{OH} | CMOS voltage output, high | I _{OH} = –2 mA | 2.4 | | V _{DDSHV} | V |
| I _{PU} | Pullup current | V _{IN} = 0 V | 40 | 100 | 200 | μA |
| I _{IN} | Leakage current | V _{IN} = 0 or V _{IN} = V _{DDSHV} | | | 5 | μA |
| DAC INTERFACE (DACP/N[15:0]) | | | | | | |
| V _{O(diff)} | Output differential swing | V _{OD} = V _{OH} – V _{OL} ⁽¹⁾ | 250 | | | mV |
| V _{comm} | Common mode | (V _{OH} + V _{OL}) / 2 ⁽¹⁾ | 1000 | | | mV |
| LVDS INTERFACE (FB[35:0], DPDCLK/C, SYNCDC/C) | | | | | | |
| V _I | Input voltage range | | 0 | | 2000 | mV |
| V _{I(diff)} | Input differential voltage, V _{pos} – V _{neg} | 0 < V _I < 2000 mV | 250 | | | mV |
| | | 1000 mV < V _I < 1400 mV, FB[35:0] only | 90 | | | |
| R _{IN} | Input differential impedance | | 80 | | 120 | Ω |
| POWER SUPPLY | | | | | | |
| I _{dyn} | Core current | See ⁽²⁾ | | | 2.2 | A |

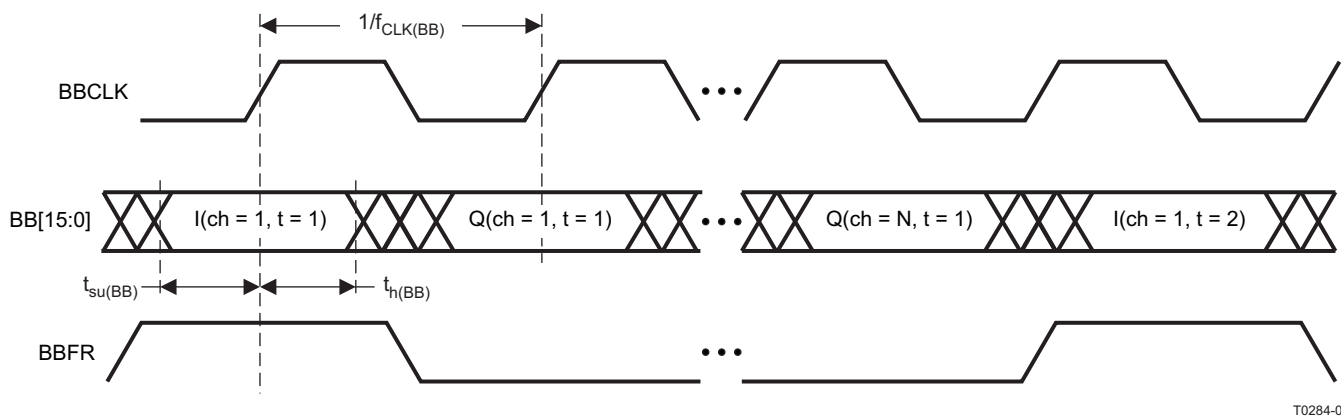
(1) HSTL output levels measured at 675 Mb/s delay and with 100-Ω load from P to N. Drive strength set to 0x360. Contact TI for operations above 675 Mb/s.

(2) Operating at 280 MHz core, TX 840 MHz, maximum filtering, nominal supplies

GENERAL SWITCHING CHARACTERISTICS

Describes the electrical characteristics for the baseband interface, MFIO[19:18], Sync A, B, C, and BB clock over recommended operating conditions (unless otherwise noted)

| PARAMETER | TEST CONDITIONS | MIN | MAX | UNIT |
|--|--|-----|------|------|
| BASEBAND INTERFACE | | | | |
| $f_{CLK(BB)}$ Baseband input clock frequency | GPP is ACTIVE. | 25 | 93.3 | MHz |
| | GPP is BYPASSED. | 25 | 140 | |
| $t_{su(BB)}$ Input data setup time before BBCLK \uparrow | BB[15:0], BBFR, SYNCA, SYNCB, and SYNCC; MFIO18/19 | 1.3 | | ns |
| $t_{h(BB)}$ Input data hold time after BBCLK \uparrow | BB[15:0], BBFR, MFIO18/19 | 1.5 | | ns |
| $t_{h(SYNCA, -B, -C)}$ Input data hold time after BBCLK \uparrow | SYNCA, SYNCB, and SYNCC | 2 | | ns |
| Duty $_{CLK(BB)}$ Duty cycle | | 30% | 70% | |

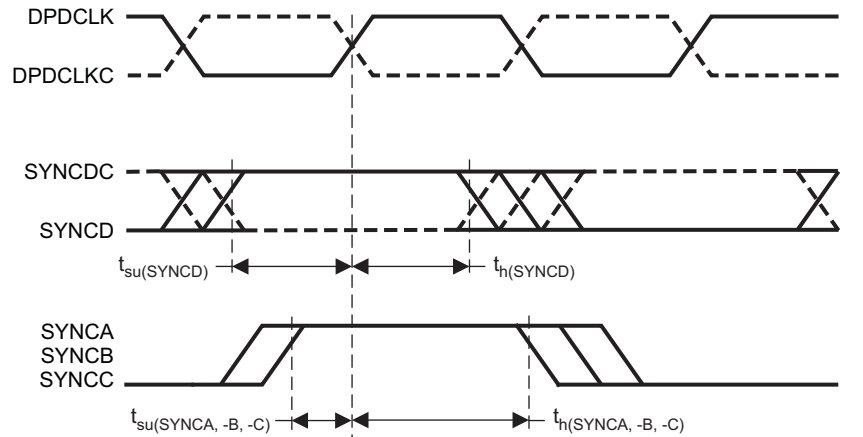


T0284-01

Figure 10. Baseband Timing Specifications (ex. Four Interleaved I/Q Channels)

DPD CLOCK AND FAST SYNC SWITCHING CHARACTERISTICS

| PARAMETER | TEST CONDITIONS | MIN | MAX | UNIT |
|-------------------------|--|-------|------|------|
| $f_{CLK(DPD)}$ | DPD input clock frequency | 100 | 280 | MHz |
| $Duty_{CLK(DPD)}$ | DPD input clock duty cycle | 30% | 70% | |
| $t_{h(SYNCD)}$ | Input hold time after DPDCLK \uparrow | 0.2 | | ns |
| $t_{su(SYNCD)}$ | Input setup time after DPDCLK \uparrow | 0.4 | | ns |
| $t_{h(SYNCA, -B, -C)}$ | Input hold time after DPDCLK \uparrow | 2 | | ns |
| $t_{su(SYNCA, -B, -C)}$ | Input setup time after DPDCLK \uparrow | 0.4 | | ns |
| $t_{jCLK(DPD)}$ | DPD output clock cycle-to-cycle jitter | -2.5% | 2.5% | |



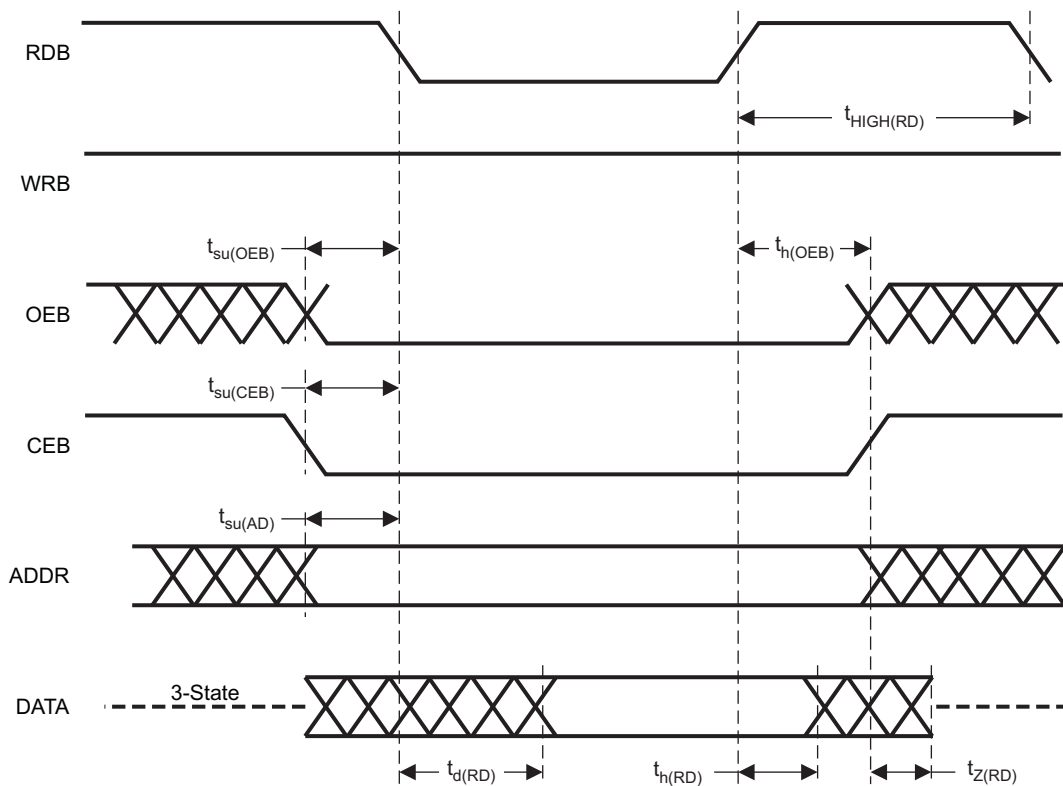
T0286-01

Figure 11. DPD Clock and Fast Sync Timing Specifications

MPU SWITCHING CHARACTERISTICS (READ)

| PARAMETER | TEST CONDITIONS | MIN | MAX | UNIT |
|----------------|--|-----|-----|------|
| $t_{su(AD)}$ | ADDR setup time to RDB↓ | | 5 | ns |
| $t_{su(CEB)}$ | CEB setup time to RDB↓ | | 7 | ns |
| $t_{su(OEB)}$ | OEB setup time to RDB↓ | | 2 | ns |
| $t_{d(RD)}$ | DATA valid time after RDB↓ | | 14 | ns |
| $t_{h(RD)}$ | ADDR hold time to RDB↑ | | 2 | ns |
| | OEB, CEB hold time to RDB↑ | | 0 | |
| $t_{HIGH(RD)}$ | Time RDB must remain HIGH between READS. | | 7 | ns |
| $t_{Z(RD)}$ | DATA goes high-impedance after OEB↑ or RDB↑. | | 7 | ns |

(1) These values are obtained from testing during characterization.

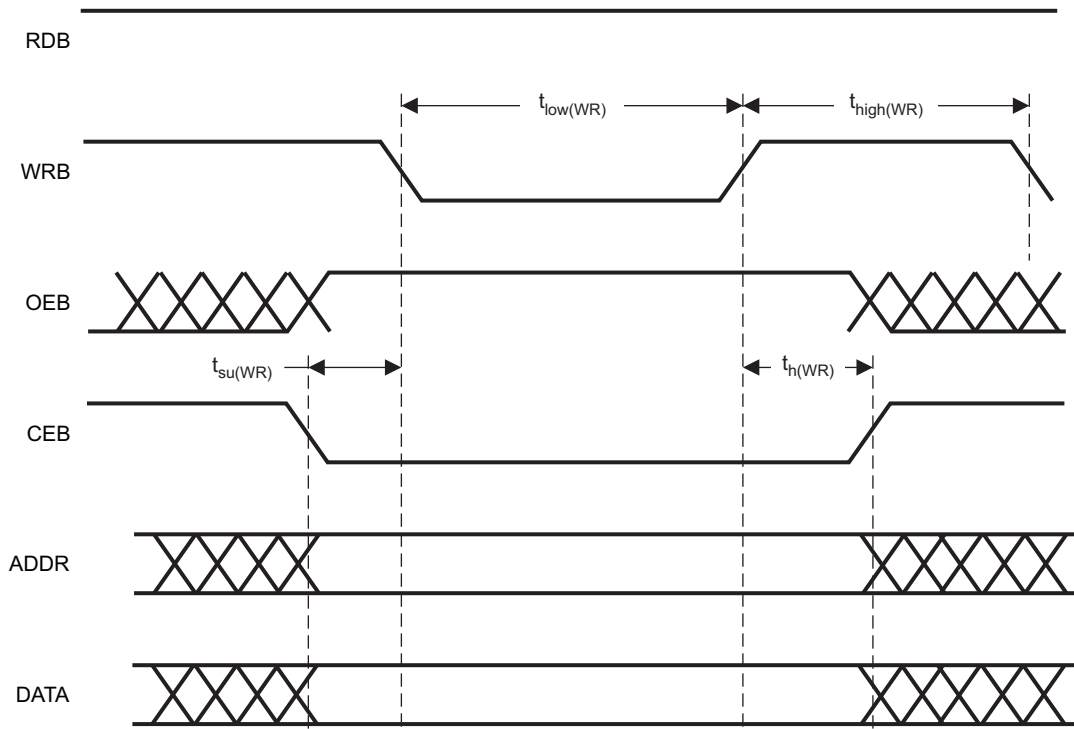


T0287-01

Figure 12. MPU READ Timing Specifications

MPU SWITCHING CHARACTERISTICS (WRITE)

| PARAMETER | | TEST CONDITIONS | MIN | MAX | UNIT |
|----------------|--|-----------------------|-----|-----|------|
| $t_{su(WR)}$ | DATA and ADDR setup time to WRB \downarrow | OEB and RDB are HIGH. | 5 | | ns |
| | CEB setup time to WRB \downarrow | | 7 | | |
| | OEB setup time to WRB \downarrow | | 2 | | |
| $t_{h(WR)}$ | DATA and ADDR hold time after WRB \uparrow | OEB and RDB are HIGH. | 2 | | ns |
| | OEB and CEB hold time after WRB \uparrow | | 0 | | |
| $t_{low(WR)}$ | Time WRB and CEB must remain simultaneously LOW | OEB and RDB are HIGH. | 15 | | ns |
| $t_{high(WR)}$ | Time CEB or WRB must remain HIGH between WRITES. | OEB and RDB are HIGH. | 10 | | ns |

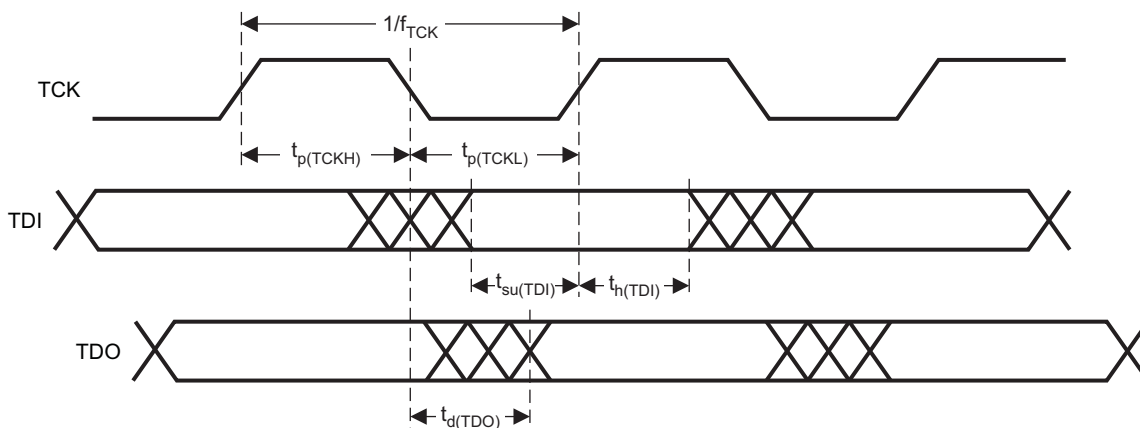


T0288-01

Figure 13. MPU WRITE Timing Specifications

JTAG SWITCHING CHARACTERISTICS

| PARAMETER | | TEST CONDITIONS | MIN | MAX | UNIT |
|---------------|---|-----------------------|-----|-----|------|
| f_{TCK} | JTAG clock frequency | | | 50 | MHz |
| $t_{p(TCKL)}$ | JTAG clock low period | | 10 | | ns |
| $t_{p(TCKH)}$ | JTAG clock high period | | 10 | | ns |
| $t_{su(TDI)}$ | Input data setup time before TCK \uparrow | Valid for TDI and TMS | 1 | | ns |
| $t_{h(TDI)}$ | Input data hold time after TCK \uparrow | Valid for TDI and TMS | 6 | | ns |
| $t_{d(TDO)}$ | Output data delay from TCK \downarrow | | | 8 | ns |



T0289-01

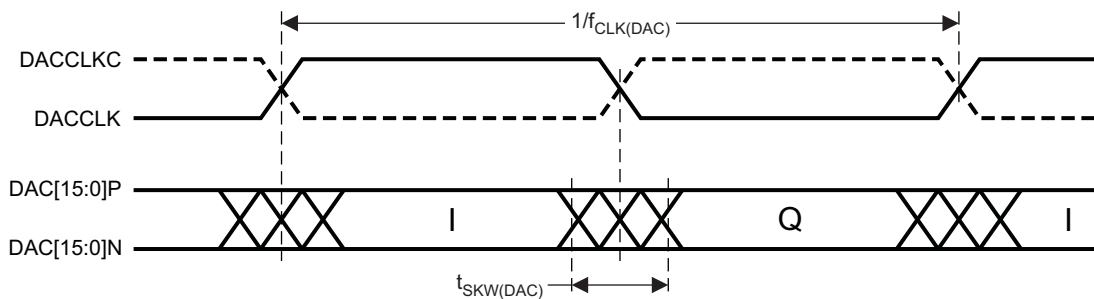
Figure 14. JTAG Timing Specifications

DIFFERENTIAL HSTL SWITCHING CHARACTERISTICS

over recommended operating conditions (unless otherwise noted)

| PARAMETER | TEST CONDITIONS | MIN | TYP | MAX | UNIT |
|------------------------------------|----------------------------|--------------------------|-----|-----|------|
| HSTL MODE – DDR ex. DAC5682 | | | | | |
| $f_{CLK(DAC)}$ | DAC output clock frequency | $R_L = 100 \Omega^{(1)}$ | | 420 | MHz |
| $t_{SKW(DAC)}$ | DACCLK to DACData | $R_L = 100 \Omega$ | | TBD | ps |

(1) DDR interface; DAC clock is 1/2 DAC data rate.



T0290-01

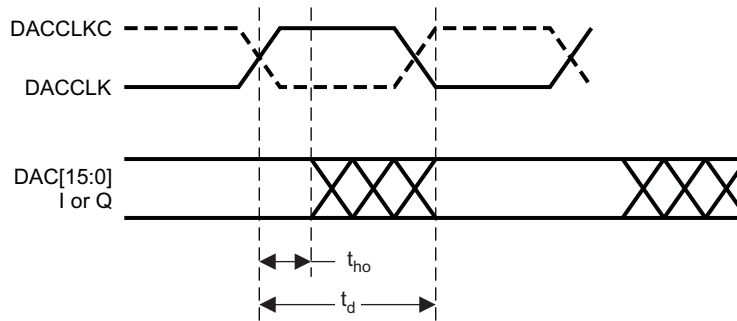
Figure 15. TX Timing Specifications (HSTL – DDR)

SINGLE-ENDED HSTL SWITCHING CHARACTERISTICS

over recommended operating conditions (unless otherwise noted)

| PARAMETER | | TEST CONDITIONS | MIN | TYP | MAX | UNIT |
|------------------------------------|------------------------------|--------------------------|-----|-----|-----|------|
| HSTL MODE – SDR ex. DAC5688 | | | | | | |
| $f_{\text{CLK(DAC)}}$ | DAC output clock frequency | 2-mA load ⁽¹⁾ | | | 200 | MHz |
| t_d | DACCLK-to-DACData delay time | 2-mA load ⁽²⁾ | | | 1.5 | ns |
| t_{ho} | DACCLK-to-DACData hold time | 2-mA load ⁽²⁾ | 1.5 | | | ns |

- (1) Because the output clock is SDR, the positive edge of the clock is used to register the data at the DAC receiver. The clock rate is limited to 200 MHz.
 (2) t_d and t_{ho} clock-to-data is measured during characterization.



T0448-01

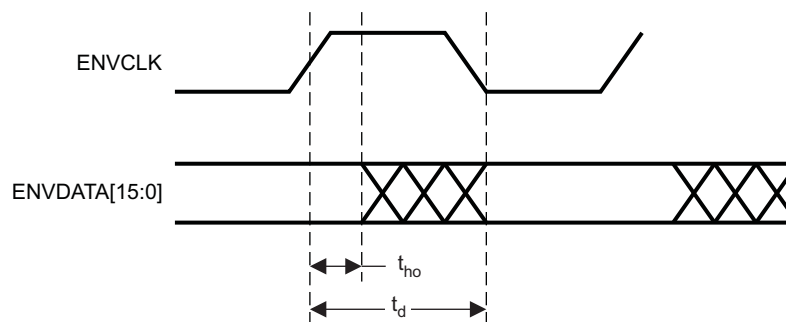
Figure 16. TX Timing Specifications (HSTL – SDR)

ENVELOPE SWITCHING CHARACTERISTICS

over recommended operating conditions (unless otherwise noted)

| PARAMETER | | TEST CONDITIONS | MIN | TYP | MAX | UNIT |
|--|--------------------------------------|--------------------------|-----|-----|-----|------|
| MFIO CMOS – SDR to Envelope Modulator | | | | | | |
| $f_{\text{CLK(ENV)}}$ | ENVELOPE data output clock frequency | 2-mA load ⁽¹⁾ | | | 140 | MHz |
| t_d | ENVCLK-to-ENVData delay time | 2-mA load ⁽²⁾ | | | 1.5 | ns |
| t_{ho} | ENVCLK-to-ENVData hold time | 2-mA load ⁽²⁾ | 1.5 | | | ns |

- (1) Envelope output is magnitude; this is a real output at a DPDClk/2 (140-MHz) rate.
 (2) t_d and t_{ho} clock-to-data is measured during characterization.



T0449-01

Figure 17. Envelope Timing (MFIO-CMOS 3.3 V)

LVDS SWITCHING CHARACTERISTICS

Over recommended operating conditions (unless otherwise noted). The following table uses a shorthand nomenclature, NxM. N means the number of differential pairs used to transmit data from one ADC and M means the number of bits sent serially down each LVDS pair. Thus, 8x2 means 8 LVDS pairs each containing 2 bits of information sent serially.

| PARAMETER | TEST CONDITIONS | MIN | TYP | MAX | UNIT |
|---|---|------------------------------------|-----|------|------|
| 16 × 1 SDR LVDS MODE ex. ADS5444 | | | | | |
| $f_{CLK(ADC)}$ | ADC interface clock frequency | See ⁽¹⁾ | | 280 | MHz |
| $t_{su(ADC\{\# \}P)}$ | Input data setup time before CLK \uparrow | See ⁽¹⁾⁽²⁾ | | 300 | ps |
| $t_{h(ADC\{\# \}P)}$ | Input data hold time after CLK \uparrow | See ⁽¹⁾⁽²⁾ | | 600 | ps |
| 16 × 1 DDR LVDS MODE ex. ADS5463 | | | | | |
| $f_{CLK(ADC)}$ | ADC interface clock frequency | See ⁽¹⁾ | | 140 | MHz |
| $t_{su(ADC\{\# \}P)}$ | Input data setup time before CLK $\uparrow\downarrow$ | See ⁽¹⁾⁽²⁾ | | 100 | ps |
| $t_{h(ADC\{\# \}P)}$ | Input data hold time after CLK $\uparrow\downarrow$ | See ⁽¹⁾⁽²⁾ | | 1200 | ps |
| 8 × 2 DDR LVDS MODE ex. ADS5545, ADS6149 | | | | | |
| $f_{CLK(ADCA)}$ | ADCA interface clock frequency | See ⁽¹⁾ | | 280 | MHz |
| $t_{su(ADCA\{\# \}2P)}$ | Input data setup time before CLK $\uparrow\downarrow$ | See ⁽¹⁾⁽³⁾ . For port A | | 430 | ps |
| $t_{h(ADCA\{\# \}2P)}$ | Input data hold time after CLK $\uparrow\downarrow$ | See ⁽¹⁾⁽³⁾ . For port A | | 260 | ps |
| $f_{CLK(ADCB)}$ | ADCB interface clock frequency | See ⁽¹⁾ | | 280 | MHz |
| $t_{su(ADCB\{\# \}2P)}$ | Input data setup time before CLK $\uparrow\downarrow$ | See ⁽¹⁾⁽⁴⁾ . For port B | | 800 | ps |
| $t_{h(ADCB\{\# \}2P)}$ | Input data hold time after CLK $\uparrow\downarrow$ | See ⁽¹⁾⁽⁴⁾ . For port B | | 400 | ps |

- (1) Specifications are limited by GC5322 performance and may exceed the example ADC capabilities for the given interface.
- (2) Setup and hold measured for ADC[15:0]P, ADC[15:0]N valid for ($V_{OD} > 250$ mV) to/from ADCCLK and ADCCLKC clock crossing ($V_{OD} = 0$).
- (3) Setup and hold measured for ADCA[7:0]P, ADCA[7:0]N valid for ($V_{OD} > 250$ mV) to/from ADCACLK and ADCACLKC clock crossing ($V_{OD} = 0$).
- (4) Setup and hold measured for ADCB[7:0]P, ADCB[7:0]N valid for ($V_{OD} > 250$ mV) to/from ADCBCLK and ADCBCLKC clock crossing ($V_{OD} = 0$).

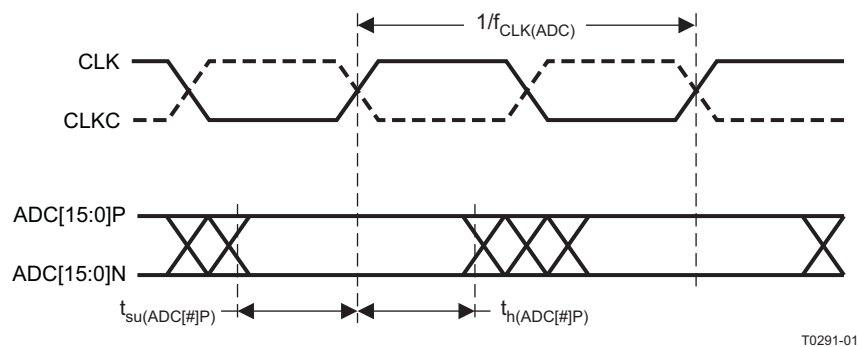


Figure 18. LVDS Timing Specifications (16 × 1 SDR LVDS)

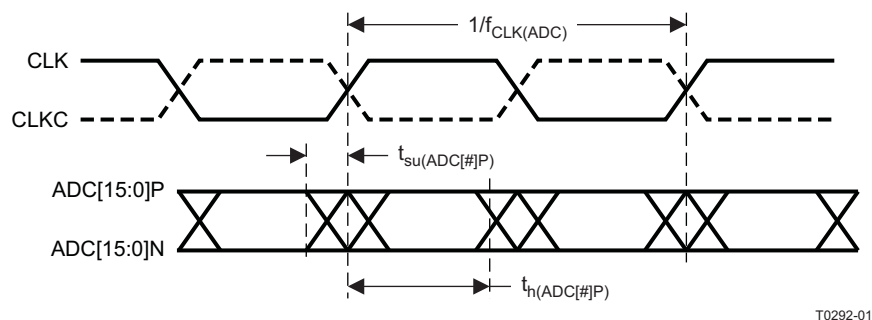
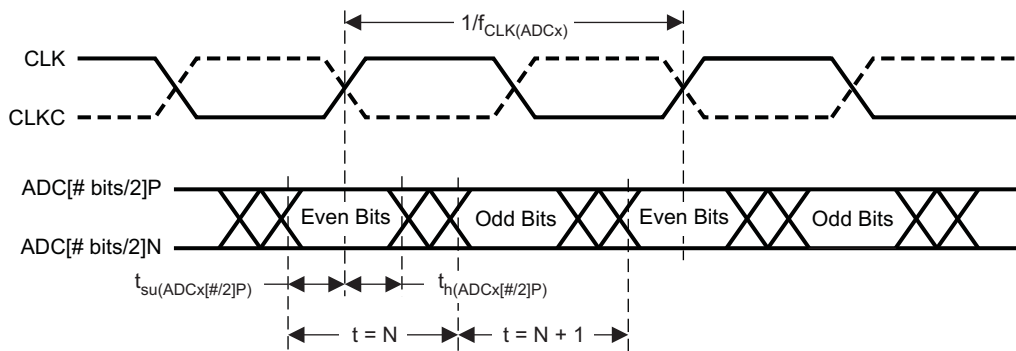


Figure 19. LVDS Timing Specifications (16 × 1 DDR LVDS)



T0293-01

Figure 20. LVDS Timing Specifications (8 x 2 DDR LVDS)

GLOSSARY OF TERMS

| | |
|-------|--|
| 3G | Third generation (refers to next-generation wideband cellular systems that use CDMA) |
| 3GPP | Third generation partnership project (W-CDMA specification, www.3gpp.org) |
| 3GPP2 | Third generation partnership project 2 (cdma2000 specification, www.3gpp2.org) |
| ACLR | Adjacent channel leakage ratio (measure of out-of-band energy from one CDMA carrier) |
| ACPR | Adjacent channel power ratio |
| ADC | Analog-to-digital converter |
| BW | Bandwidth |
| CCDF | Complementary cumulative distribution function |
| CDMA | Code division multiple access (spread spectrum) |
| CEVM | Composite error vector magnitude |
| CFR | Crest factor reduction |
| CMOS | Complementary metal oxide semiconductor |
| DAC | Digital-to-analog converter |
| dB | Decibels |
| dBm | Decibels relative to 1 mW (30 dBm = 1 W) |
| DDR | Dual data rate (ADC output format) |
| DSP | Digital signal processing or digital signal processor |
| DUC | Digital upconverter (usually provides the GC5322 input) |
| EVM | Error vector magnitude |
| FIR | Finite impulse response (type of digital filter) |
| I/Q | In-phase and quadrature (signal representation) |
| IF | Intermediate frequency |
| IIR | Infinite impulse response (type of digital filter) |
| JTAG | Joint Test Action Group (chip debug and test standard 1149.1) |
| LO | Local oscillator |
| LSB | Least-significant bit |
| Mb | Megabits (divide by 8 for megabytes MB) |

| | |
|--------|---|
| MSB | Most-significant bit |
| MSPS | Megasamples per second (1×10^6 samples/s) |
| PA | Power amplifier |
| PAR | Peak-to-average ratio |
| PCDE | Peak code domain error |
| PDC | Peak detection and cancellation (stage) |
| PDF | Probability density function |
| RF | Radio frequency |
| RMS | Root mean square (method to quantify error) |
| SDR | Single data rate (ADC output format) |
| SEM | Spectrum emission mask |
| SNR | Signal-to-noise ratio (usually measured in dB or dBm) |
| UMTS | Universal mobile telephone service |
| W-CDMA | Wideband code division multiple access (synonymous with 3GPP) |
| WiBro | Wireless broadband (Korean initiative IEEE 802.16e) |
| WiMAX | Worldwide Interoperability of Microwave Access (IEEE 802.16e) |

REVISION HISTORY

Changes from Original (February 2008) to Revision A Page

- Updated the LVDS INTERFACE section of the General Electrical Characteristics 20
-

Changes from Revision A (August 2008) to Revision B Page

- Changed Changed ADS5444 18-bit to ADS6149 14-bit 4
 - Deleted Deleted Related Material and Documents section 12
 - Deleted Deleted paragraph "For systems that.....implementation". Also deleted Figure 3. DSP toInterface 18
 - Changed Changed from HSTL interface (TX[37:0]) to DAC interface (DACP/N [15:0]) 20
 - Changed changed the first 2 rows and deleted 5 rows from this subsection in the table 20
 - Changed Deleted note 1 and changed note 2, original 3 notes 20
 - Deleted Deleted last row of the TX Switching table and added note 2 25
 - Changed Changed from 800 to 430 27
 - Changed Changed from 400 to 260 27
-

Changes from Revision B (December 2008) to Revision C Page

Changes from Revision C (February 2009) to Revision D Page

- Changed the FEATURES list 1
 - Changed the APPLICATIONS list 1
 - Revised the system block diagram 1
 - Rewrote DESCRIPTION section 1
 - Added Created *Description (Continued)*, so description paragraphs would fall below the ESDS statement on second page 2
 - Revised the functional block diagram 3
 - Added the REFERENCES section 3
 - Deleted "to 30 dB" 4
 - Added an 800-MSPS DAC 4
 - Added a CDCE72010 clock generator 4
 - Added "ADC" 4
 - Changed second sentence of System Architecture section 5
 - Deleted last row of System Architecture table 5
 - Deleted the *Dual Antenna, GC5322, Shared Feedback* figure 6
 - Revised text in *Baseband Interface* paragraph; added [Figure 3](#) 6
 - Inserted new *BB Clock Input* section 7
 - Revised text in *Gain/Pilot Insertion/AntCal Insertion/Power Meter* paragraph 7
 - Revised the Digital Upconverters (DUCs) section 7
 - Revised the Crest Factor Reduction (CFR) section 8
 - Replaced text of *Fractional Farrow Resampler (FR)* section 8
 - Revised the *Digital Predistortion (DPD)* section 8
 - Inserted new *DPD Clock Input* section 8
 - Inserted new *SyncD – DPD Clocked Sync Input* section 8
 - Revised text paragraph of Bulk Upconverter (BUC) section 8
 - Deleted "DPD clock /2 the" 8
-

| | |
|---|----|
| • Inserted new <i>Output Formatter and DAC Interface (OFMT)</i> section | 8 |
| • Removed last bullet from OFMT list | 9 |
| • Deleted <i>GC5322 to Dual DAC5688 (Interleaved IQ) Interface</i> illustration | 9 |
| • Replaced all text of <i>Feedback Path (FB)</i> section and added an illustration | 10 |
| • Changed section title from <i>Smart Capture Buffers (SCB)</i> section to <i>Capture Buffers (CB)</i> | 11 |
| • Deleted existing paragraph; inserted two new paragraphs and four notes | 11 |
| • Revised title and first paragraph of the <i>Input Syncs and Output Sync</i> section; deleted a bullet from the list, and added a note | 12 |
| • Changed title and replaced all text of <i>Power Meters and Peak I-or-Q Monitors</i> section | 12 |
| • Changed names of some pins in the pinout diagram | 13 |
| • Changed package from GND to ZND on pinout drawing | 13 |
| • Made changes to <i>Terminal Functions</i> table in the areas of UPDATA, VSS1, VDD2, VSS2, RESETB, SYNCDC, SYNCDC, SYNCOUT, and MFIO | 14 |
| • Made changes to <i>Terminal Functions</i> table in the areas of UPDATA, VSS1, VDD2, VSS2, RESETB, SYNCDC, SYNCDC, SYNCOUT, and MFIO | 15 |
| • Added title for <i>Special Power Supply Requirements for VDDA1, VSSA1, VDDA2, VSSA2</i> section | 15 |
| • Inserted one sentence in this paragraph and revised another | 15 |
| • Changed analog supply to filtered supply | 15 |
| • Changed caption of Figure 8 and moved figure to the end of the section | 15 |
| • Added title and introductory paragraph to <i>TX Output to DAC5682Z and DAC5688</i> section; major overhaul of Table 2 and Table 4 | 16 |
| • Changed to new figure reference as a result of deleted illustration | 16 |
| • Deleted Single- or Dual-Channel DDR LVDS section of table | 16 |
| • Added new <i>FB Input From LVDS ADC</i> section | 16 |
| • Added new <i>Envelope Output</i> section | 17 |
| • Revised the MPU Interface Guidelines section | 17 |
| • Replaced Figure 9 graphic | 18 |
| • Deleted sentence: "The adaptation algorithm..." | 18 |
| • Deleted <i>Typical Baseband Interface</i> section | 18 |
| • Changed $f_{CLK(ENV)}$ MAX value to 140 MHz | 26 |
| • Changed the LVDS 16 × 1 DDR timing digram | 27 |

PACKAGING INFORMATION

| Orderable Device | Status (1) | Package Type | Package Drawing | Pins | Package Qty | Eco Plan (2) | Lead/Ball Finish (6) | MSL Peak Temp (3) | Op Temp (°C) | Device Marking (4/5) | Samples |
|------------------|---------------|--------------|--------------------|------|----------------|-------------------|-------------------------|----------------------|--------------|-------------------------|---------|
| GC5322IZND | LIFEBUY | BGA | ZND | 352 | 40 | Pb-Free (RoHS) | SNAGCU | Level-3-260C-168 HR | -40 to 85 | GC5322IZND | |

(1) The marketing status values are defined as follows:

ACTIVE: Product device recommended for new designs.

LIFEBUY: TI has announced that the device will be discontinued, and a lifetime-buy period is in effect.

NRND: Not recommended for new designs. Device is in production to support existing customers, but TI does not recommend using this part in a new design.

PREVIEW: Device has been announced but is not in production. Samples may or may not be available.

OBSELETE: TI has discontinued the production of the device.

(2) **RoHS:** TI defines "RoHS" to mean semiconductor products that are compliant with the current EU RoHS requirements for all 10 RoHS substances, including the requirement that RoHS substance do not exceed 0.1% by weight in homogeneous materials. Where designed to be soldered at high temperatures, "RoHS" products are suitable for use in specified lead-free processes. TI may reference these types of products as "Pb-Free".

RoHS Exempt: TI defines "RoHS Exempt" to mean products that contain lead but are compliant with EU RoHS pursuant to a specific EU RoHS exemption.

Green: TI defines "Green" to mean the content of Chlorine (Cl) and Bromine (Br) based flame retardants meet JS709B low halogen requirements of <=1000ppm threshold. Antimony trioxide based flame retardants must also meet the <=1000ppm threshold requirement.

(3) MSL, Peak Temp. - The Moisture Sensitivity Level rating according to the JEDEC industry standard classifications, and peak solder temperature.

(4) There may be additional marking, which relates to the logo, the lot trace code information, or the environmental category on the device.

(5) Multiple Device Markings will be inside parentheses. Only one Device Marking contained in parentheses and separated by a "~" will appear on a device. If a line is indented then it is a continuation of the previous line and the two combined represent the entire Device Marking for that device.

(6) Lead/Ball Finish - Orderable Devices may have multiple material finish options. Finish options are separated by a vertical ruled line. Lead/Ball Finish values may wrap to two lines if the finish value exceeds the maximum column width.

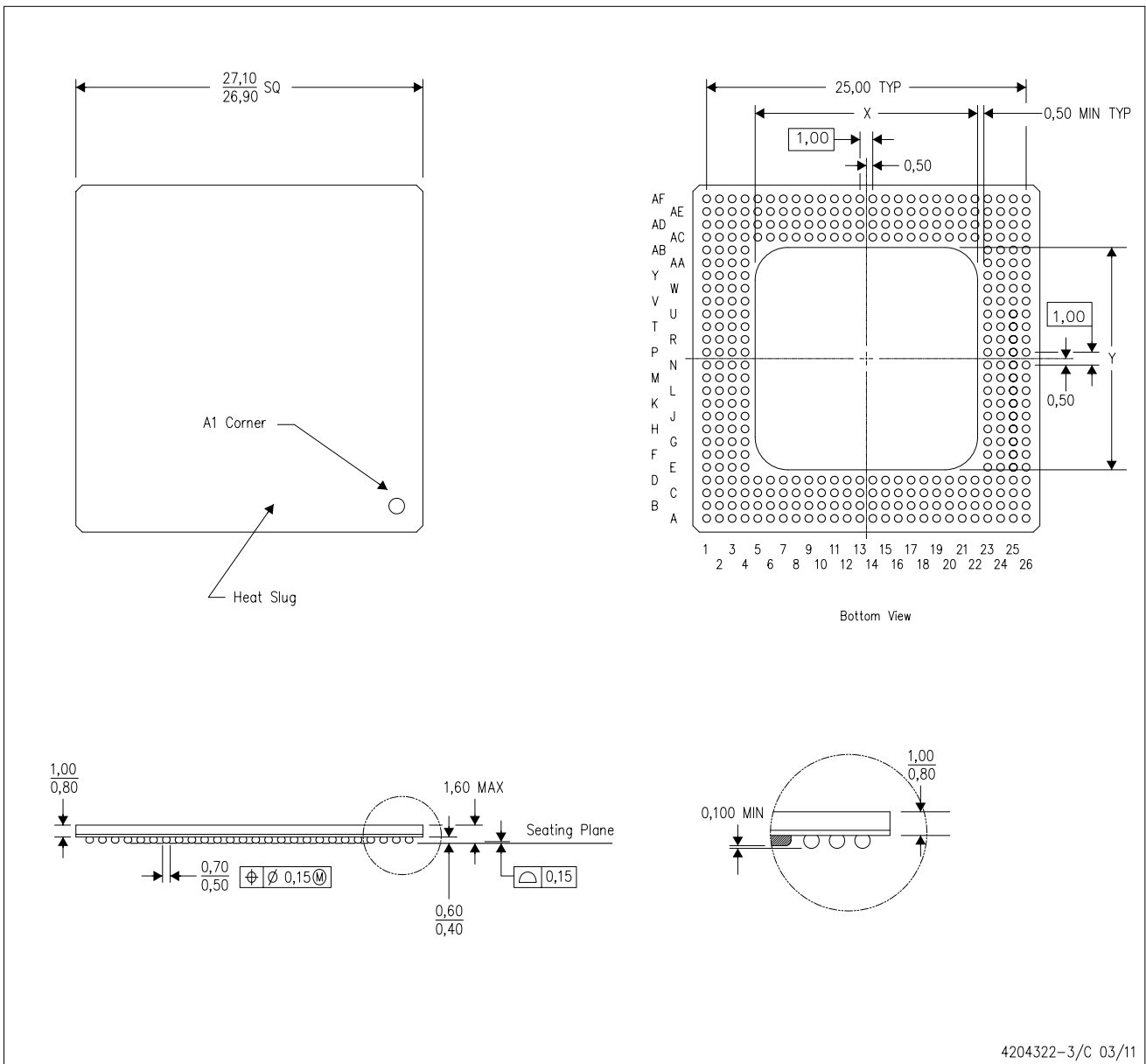
Important Information and Disclaimer:The information provided on this page represents TI's knowledge and belief as of the date that it is provided. TI bases its knowledge and belief on information provided by third parties, and makes no representation or warranty as to the accuracy of such information. Efforts are underway to better integrate information from third parties. TI has taken and continues to take reasonable steps to provide representative and accurate information but may not have conducted destructive testing or chemical analysis on incoming materials and chemicals. TI and TI suppliers consider certain information to be proprietary, and thus CAS numbers and other limited information may not be available for release.

In no event shall TI's liability arising out of such information exceed the total purchase price of the TI part(s) at issue in this document sold by TI to Customer on an annual basis.

MECHANICAL DATA

ZND (S-PBGA-N352)

PLASTIC BALL GRID ARRAY (CAVITY DOWN)



4204322-3/C 03/11

- NOTES:
- All linear dimensions are in millimeters. Dimensioning and tolerancing per ASME Y14.5M-1994.
 - This drawing is subject to change without notice.
 - Thermally enhanced plastic package with heat slug (HSL).
 - The encapsulation size (X,Y) will vary with cavity size. The distance from bond finger edge to encapsulation shall be min 0.5mm
 - This is a Pb-free solder ball design.

IMPORTANT NOTICE

Texas Instruments Incorporated (TI) reserves the right to make corrections, enhancements, improvements and other changes to its semiconductor products and services per JESD46, latest issue, and to discontinue any product or service per JESD48, latest issue. Buyers should obtain the latest relevant information before placing orders and should verify that such information is current and complete.

TI's published terms of sale for semiconductor products (<http://www.ti.com/sc/docs/stdterms.htm>) apply to the sale of packaged integrated circuit products that TI has qualified and released to market. Additional terms may apply to the use or sale of other types of TI products and services.

Reproduction of significant portions of TI information in TI data sheets is permissible only if reproduction is without alteration and is accompanied by all associated warranties, conditions, limitations, and notices. TI is not responsible or liable for such reproduced documentation. Information of third parties may be subject to additional restrictions. Resale of TI products or services with statements different from or beyond the parameters stated by TI for that product or service voids all express and any implied warranties for the associated TI product or service and is an unfair and deceptive business practice. TI is not responsible or liable for any such statements.

Buyers and others who are developing systems that incorporate TI products (collectively, "Designers") understand and agree that Designers remain responsible for using their independent analysis, evaluation and judgment in designing their applications and that Designers have full and exclusive responsibility to assure the safety of Designers' applications and compliance of their applications (and of all TI products used in or for Designers' applications) with all applicable regulations, laws and other applicable requirements. Designer represents that, with respect to their applications, Designer has all the necessary expertise to create and implement safeguards that (1) anticipate dangerous consequences of failures, (2) monitor failures and their consequences, and (3) lessen the likelihood of failures that might cause harm and take appropriate actions. Designer agrees that prior to using or distributing any applications that include TI products, Designer will thoroughly test such applications and the functionality of such TI products as used in such applications.

TI's provision of technical, application or other design advice, quality characterization, reliability data or other services or information, including, but not limited to, reference designs and materials relating to evaluation modules, (collectively, "TI Resources") are intended to assist designers who are developing applications that incorporate TI products; by downloading, accessing or using TI Resources in any way, Designer (individually or, if Designer is acting on behalf of a company, Designer's company) agrees to use any particular TI Resource solely for this purpose and subject to the terms of this Notice.

TI's provision of TI Resources does not expand or otherwise alter TI's applicable published warranties or warranty disclaimers for TI products, and no additional obligations or liabilities arise from TI providing such TI Resources. TI reserves the right to make corrections, enhancements, improvements and other changes to its TI Resources. TI has not conducted any testing other than that specifically described in the published documentation for a particular TI Resource.

Designer is authorized to use, copy and modify any individual TI Resource only in connection with the development of applications that include the TI product(s) identified in such TI Resource. NO OTHER LICENSE, EXPRESS OR IMPLIED, BY ESTOPPEL OR OTHERWISE TO ANY OTHER TI INTELLECTUAL PROPERTY RIGHT, AND NO LICENSE TO ANY TECHNOLOGY OR INTELLECTUAL PROPERTY RIGHT OF TI OR ANY THIRD PARTY IS GRANTED HEREIN, including but not limited to any patent right, copyright, mask work right, or other intellectual property right relating to any combination, machine, or process in which TI products or services are used. Information regarding or referencing third-party products or services does not constitute a license to use such products or services, or a warranty or endorsement thereof. Use of TI Resources may require a license from a third party under the patents or other intellectual property of the third party, or a license from TI under the patents or other intellectual property of TI.

TI RESOURCES ARE PROVIDED "AS IS" AND WITH ALL FAULTS. TI DISCLAIMS ALL OTHER WARRANTIES OR REPRESENTATIONS, EXPRESS OR IMPLIED, REGARDING RESOURCES OR USE THEREOF, INCLUDING BUT NOT LIMITED TO ACCURACY OR COMPLETENESS, TITLE, ANY EPIDEMIC FAILURE WARRANTY AND ANY IMPLIED WARRANTIES OF MERCHANTABILITY, FITNESS FOR A PARTICULAR PURPOSE, AND NON-INFRINGEMENT OF ANY THIRD PARTY INTELLECTUAL PROPERTY RIGHTS. TI SHALL NOT BE LIABLE FOR AND SHALL NOT DEFEND OR INDEMNIFY DESIGNER AGAINST ANY CLAIM, INCLUDING BUT NOT LIMITED TO ANY INFRINGEMENT CLAIM THAT RELATES TO OR IS BASED ON ANY COMBINATION OF PRODUCTS EVEN IF DESCRIBED IN TI RESOURCES OR OTHERWISE. IN NO EVENT SHALL TI BE LIABLE FOR ANY ACTUAL, DIRECT, SPECIAL, COLLATERAL, INDIRECT, PUNITIVE, INCIDENTAL, CONSEQUENTIAL OR EXEMPLARY DAMAGES IN CONNECTION WITH OR ARISING OUT OF TI RESOURCES OR USE THEREOF, AND REGARDLESS OF WHETHER TI HAS BEEN ADVISED OF THE POSSIBILITY OF SUCH DAMAGES.

Unless TI has explicitly designated an individual product as meeting the requirements of a particular industry standard (e.g., ISO/TS 16949 and ISO 26262), TI is not responsible for any failure to meet such industry standard requirements.

Where TI specifically promotes products as facilitating functional safety or as compliant with industry functional safety standards, such products are intended to help enable customers to design and create their own applications that meet applicable functional safety standards and requirements. Using products in an application does not by itself establish any safety features in the application. Designers must ensure compliance with safety-related requirements and standards applicable to their applications. Designer may not use any TI products in life-critical medical equipment unless authorized officers of the parties have executed a special contract specifically governing such use. Life-critical medical equipment is medical equipment where failure of such equipment would cause serious bodily injury or death (e.g., life support, pacemakers, defibrillators, heart pumps, neurostimulators, and implantables). Such equipment includes, without limitation, all medical devices identified by the U.S. Food and Drug Administration as Class III devices and equivalent classifications outside the U.S.

TI may expressly designate certain products as completing a particular qualification (e.g., Q100, Military Grade, or Enhanced Product). Designers agree that it has the necessary expertise to select the product with the appropriate qualification designation for their applications and that proper product selection is at Designers' own risk. Designers are solely responsible for compliance with all legal and regulatory requirements in connection with such selection.

Designer will fully indemnify TI and its representatives against any damages, costs, losses, and/or liabilities arising out of Designer's non-compliance with the terms and provisions of this Notice.