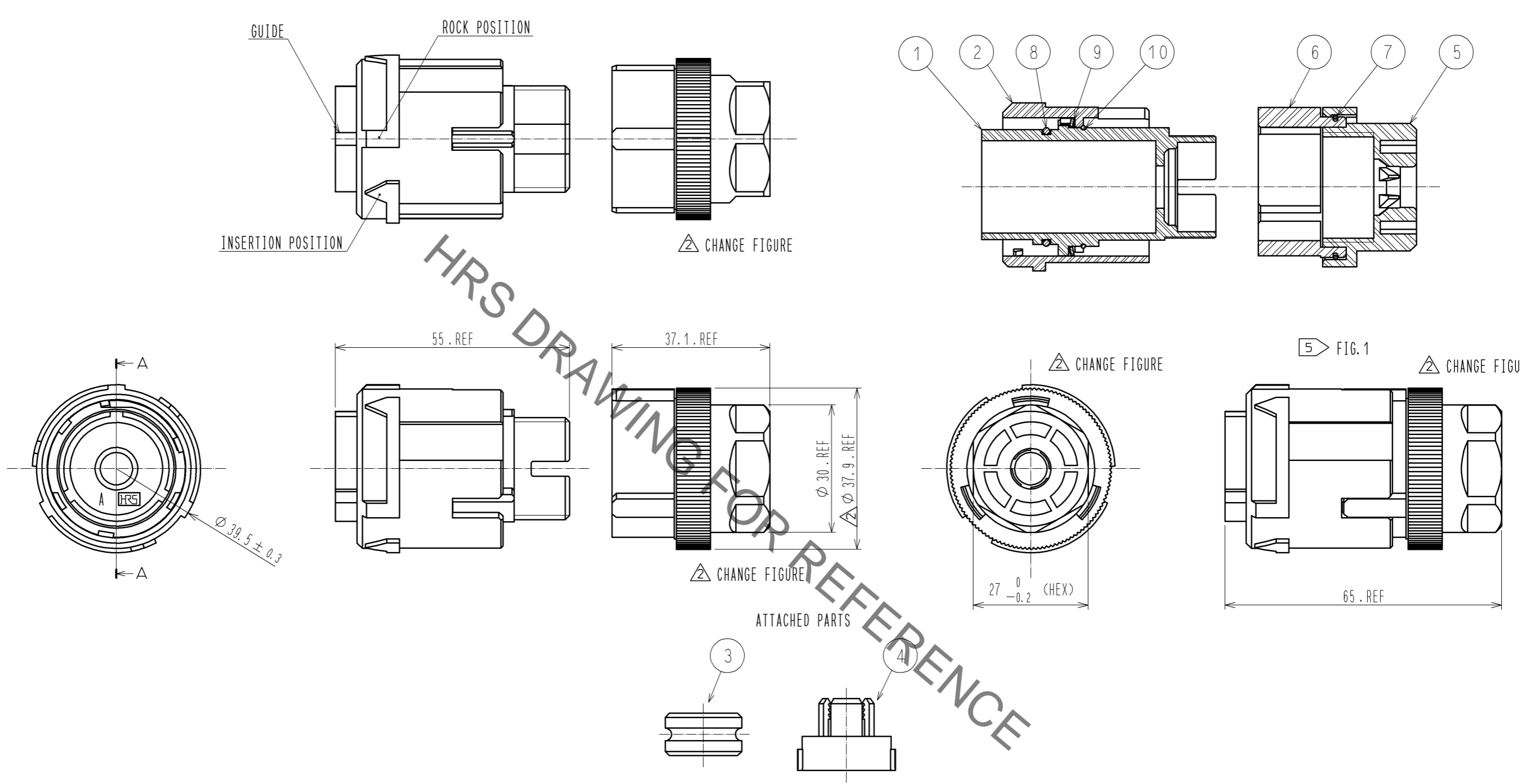


May.1.2023 Copyright 2023 HIROSE ELECTRIC CO., LTD. All Rights Reserved.
In case of consideration for using Automotive equipment / device which demand high reliability, kindly contact our sales window correspondents.



- NOTE
- 1 COMPONENTS OF REF. NO. ①, ②, ③, ⑨ AND ⑩ ARE ASSEMBLED PARTS.
 - 2 COMPONENTS OF REF. NO. ⑤, ⑥ AND ⑦ ARE ASSEMBLED PARTS.
 - 3 COMPONENTS OF REF. NO. ③ AND ④ ARE ATTACHED PARTS.
 - 4 MECHANICAL OPERATION IS 100 TIMES EXCEPT GASKET AND CLAMP (COMPONENTS REF. NO. ③ AND ④).
REPLACE REF. NO. ③ AND ④ WITH EACH TIME.
 - ⑤ Fig.1 SHOWS THE APPEARANCE AFTER ASSEMBLY.
 - 6 THE RECOMMENDED TIGHTENING TORQUE OF REF. NO. ① AND ⑤ TO BE 5 TO 5.5 N · m
 - 7 THE CABLE PULL AND TWISTING STRENGTH AND OTHER CHARACTERISTICS MAY DIFFER,
DEPENDING ON THE CABLE STRUCTURE. CONFIRM BEFORE USE.
 - 8 REFER TO ASSEMBLY PROCEDURE MANUAL ETAD-E3069.
 - ⑨ DO NOT INTEND TO PULL A COMPONENT OF REF. NO. ⑤, ⑥, ⑦ APART BY EXCESSIVE POWER.
IT MAY CAUSE DISASSEMBLY.

NO.	MATERIAL	FINISH . REMARKS	NO.	MATERIAL	FINISH . REMARKS
5	POLYAMIDE	BLACK. UL94V-0	10	STAINLESS STEEL	
4	POLYAMIDE	NC. WHITE. UL94V-0	9	STAINLESS STEEL	
3	SILICONE RUBBER	BLACK	8	SILICONE RUBBER	RED
2	POLYAMIDE	BLACK. UL94V-0	7	STAINLESS STEEL	
1	POLYAMIDE	BLACK. UL94V-0	6	POLYAMIDE	BLACK. UL94V-0

UNITS	SCALE	COUNT	DESCRIPTION OF REVISIONS	DESIGNED	CHECKED	DATE
mm	1 : 1	⑨ 6	DIS-E-004629	SG. CHAMURA	EJ. WAKATSUKI	13. 04. 15

APPROVED	DATE	DRAWING NO.
RI. TAKAYASU	13. 01. 18	EDC3-128149-00
CHECKED	DATE	PART NO.
EJ. WAKATSUKI	13. 01. 18	TM41W-P
DESIGNED	DATE	CODE NO.
SG. CHAMURA	13. 01. 17	CL222-2979-6-00
DRAWN	DATE	
SG. CHAMURA	13. 01. 17	