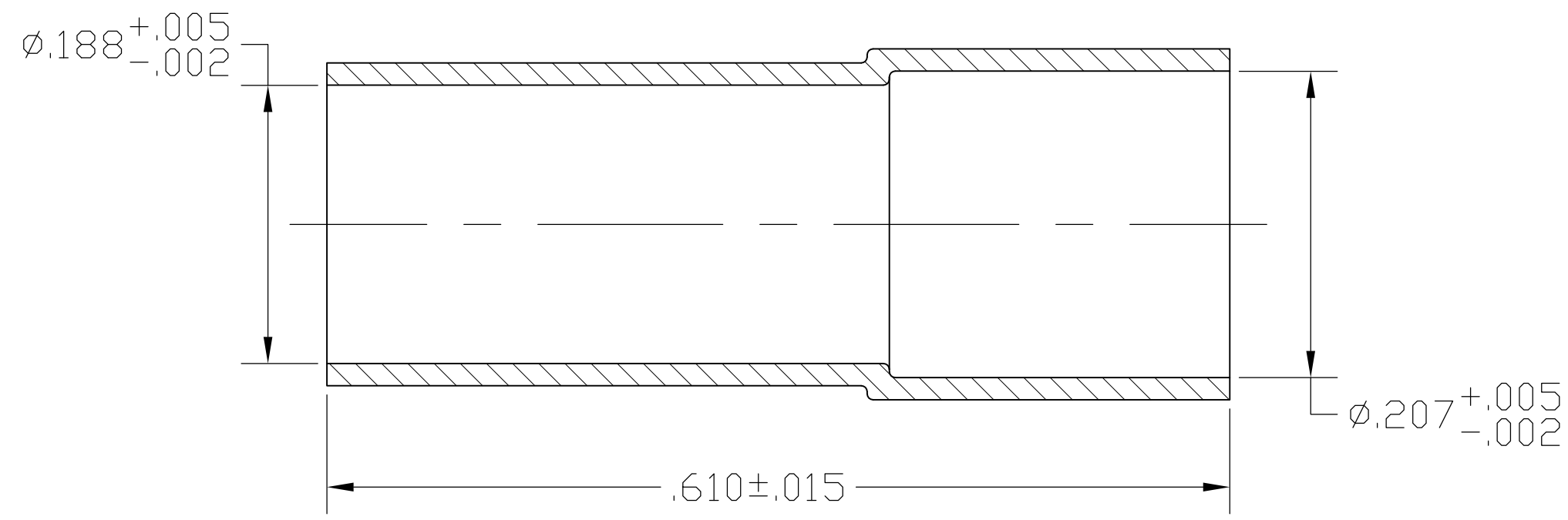


THIS DRAWING IS UNPUBLISHED. RELEASED FOR PUBLICATION
 © COPYRIGHT - BY TYCO ELECTRONICS CORPORATION. ALL RIGHTS RESERVED.

LOC	DIST	REVISIONS					
AJ	16	P	LTR	DESCRIPTION	DATE	DWN	APVD
			C	REVISED PER ECO-10-008441	20MAY10	HMR	KW

- △1 COPPER ALLOY
- △2 TIN-LEAD PLATE PER ASTM-B-571
- △3 SILVER PLATE PER QQ-5-365.
- △4 MATTE TIN PLATE



△4	△1	9-228783-0
△3	△1	228783-4
△2	△1	228783-3
FINISH	MATERIAL	PART NUMBER

THIS DRAWING IS A CONTROLLED DOCUMENT.		DWN R. SAMICK 30SEP03	Tyco Electronics Corporation Harrisburg, PA, 17105-3608													
DIMENSIONS: INCHES		CHK D. GRAVINA 30SEP03	NAME FERRULE, SPECIAL TEFLON JACKET													
TOLERANCES UNLESS OTHERWISE SPECIFIED:		APVD D. GRAVINA 30SEP03	PRODUCT SPEC													
<table border="0"> <tr><td>0 PLC</td><td>± -</td></tr> <tr><td>1 PLC</td><td>± -</td></tr> <tr><td>2 PLC</td><td>± -</td></tr> <tr><td>3 PLC</td><td>± -</td></tr> <tr><td>4 PLC</td><td>± -</td></tr> <tr><td>ANGLES</td><td>± -</td></tr> </table>		0 PLC	± -	1 PLC	± -	2 PLC	± -	3 PLC	± -	4 PLC	± -	ANGLES	± -	APPLICATION SPEC		RESTRICTED TO
0 PLC	± -															
1 PLC	± -															
2 PLC	± -															
3 PLC	± -															
4 PLC	± -															
ANGLES	± -															
MATERIAL SEE TABLE	FINISH -	WEIGHT -	SIZE A3	CAGE CODE 00779	DRAWING NO C-228783											
CUSTOMER DRAWING			SCALE 10:1	SHEET 1 OF 1	REV C											