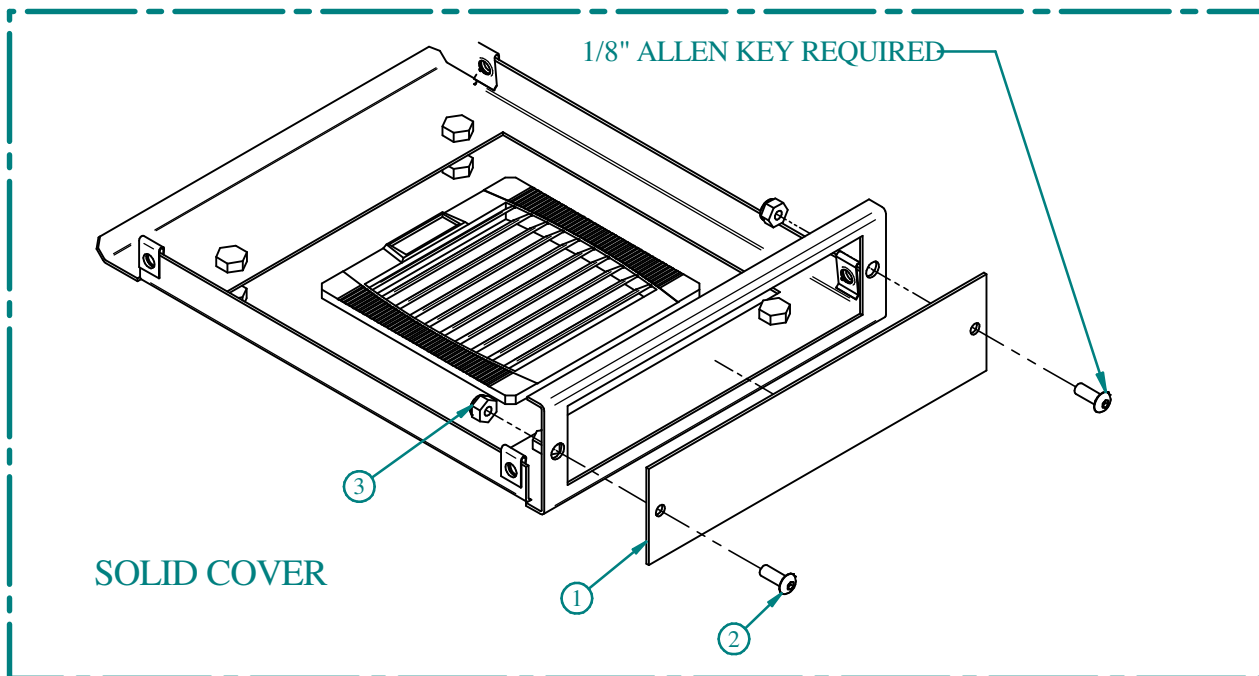
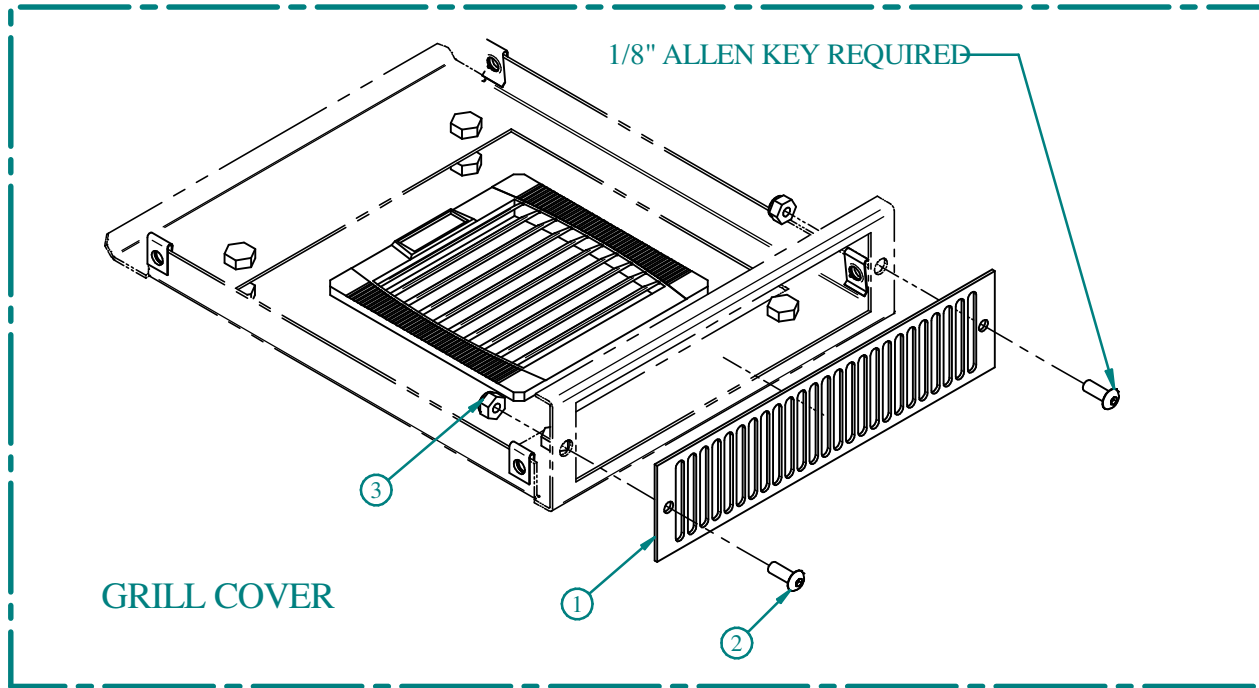


RHA - GRILL/SOLID COVER KIT




BUL86019

REV. B



A) Fasten Grill/Solid Cover to the bottom of the rainhood using hardware provided.

| PART # | QTY. | DESCRIPTION |
|--------|------|-----------------------------|
| 1 | 1 | GRILL/SOLID COVER |
| 2 | 2 | SCREW 10-32 BUTTON HEAD, SS |
| 3 | 2 | NUT 10-32 NYLON INSERT, SS |

| | | |
|-----------------------------------------------------------------------------------------------------|-----------------------------------------------------------------------------------------------------------|-----------------------------------------------------------------------------------------------------------------|
| <p>TOOL BOX</p>  | <p>1/8" ALLEN KEY</p>  | <p>3/8" Open End Wrench</p>  |
|-----------------------------------------------------------------------------------------------------|-----------------------------------------------------------------------------------------------------------|-----------------------------------------------------------------------------------------------------------------|