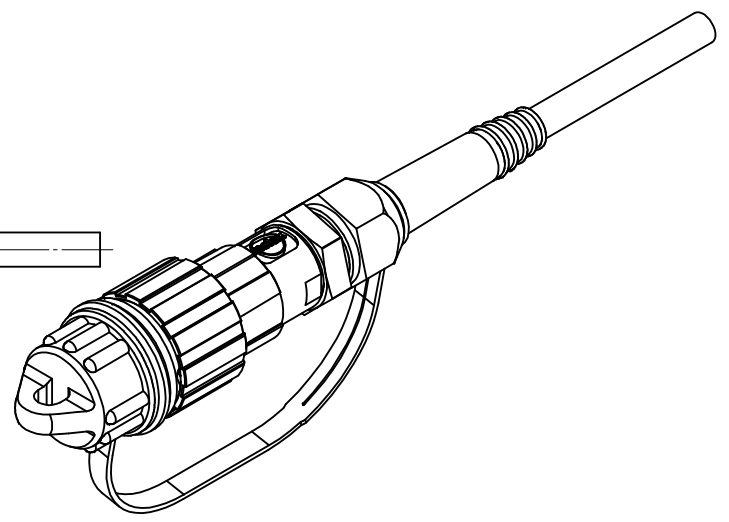
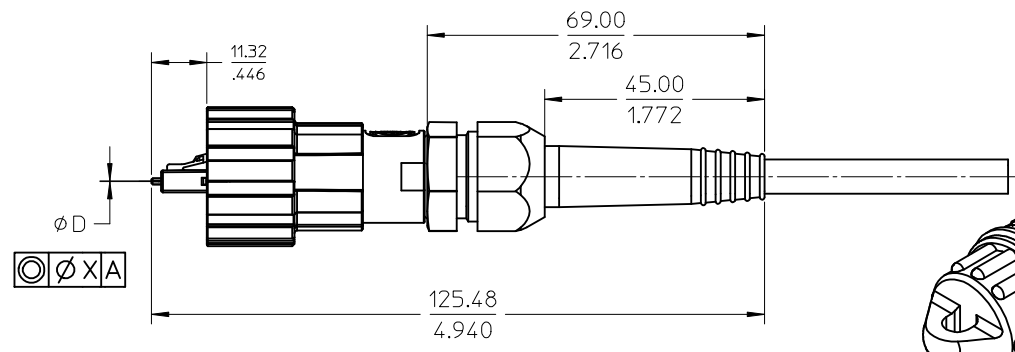
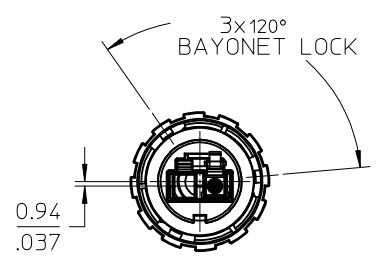
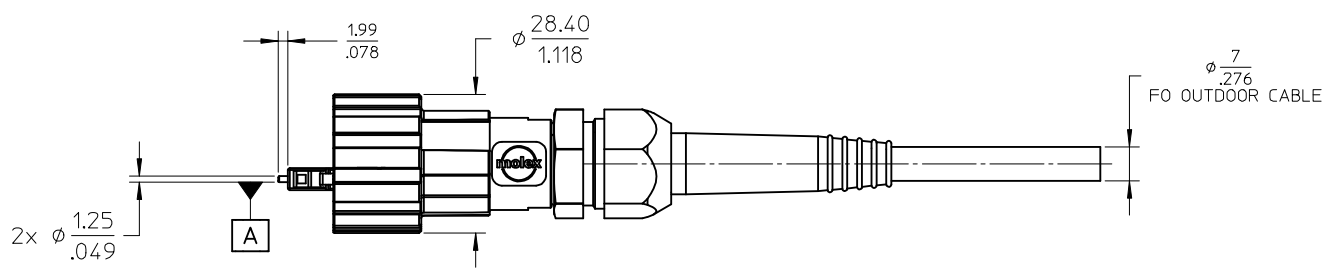


10	9	8	7	6	5	4	3	2	1
PLUG ASSY P/N	CABLE TYPE	ØD (µ)	ØX (µ)	CRIMP TUBING					
1060592100	MULTIMODE	127 +3/-0	3	3 mm					
1060592500	SINGLE MODE	125.5 +0.5/-0	0.5	2 mm					
1060592400	SINGLE MODE	125.5 +0.5/-0	0.5	3 mm					



ENTER DESCRIPTION EC NO: MF2013-0181 DRAWN: PEVZNER 2012/09/25 CHKD: APPR: IGUMIN 2012/09/25 G1	QUALITY SYMBOLS ▽=0 ▽=0 ▽=0	GENERAL TOLERANCES (UNLESS SPECIFIED) <table border="1"> <thead> <tr> <th></th> <th>mm</th> <th>INCH</th> </tr> </thead> <tbody> <tr> <td>4 PLACES</td> <td>± ---</td> <td>± ---</td> </tr> <tr> <td>3 PLACES</td> <td>± ---</td> <td>± ---</td> </tr> <tr> <td>2 PLACES</td> <td>± ---</td> <td>± ---</td> </tr> <tr> <td>1 PLACE</td> <td>± ---</td> <td>± ---</td> </tr> <tr> <td>0 PLACE</td> <td>± ---</td> <td>± ---</td> </tr> </tbody> </table>		mm	INCH	4 PLACES	± ---	± ---	3 PLACES	± ---	± ---	2 PLACES	± ---	± ---	1 PLACE	± ---	± ---	0 PLACE	± ---	± ---	DIMENSION STYLE MM/IN	SCALE 1:1	DESIGN UNITS METRIC	THIRD ANGLE PROJECTION
		mm	INCH																					
	4 PLACES	± ---	± ---																					
	3 PLACES	± ---	± ---																					
2 PLACES	± ---	± ---																						
1 PLACE	± ---	± ---																						
0 PLACE	± ---	± ---																						
		DRAWN BY JSZEWczyk	DATE 01/07/2008	TITLE PLUG ASSEMBLY METAL BODY INDUSTRIAL LC WITH LOGO																				
		CHECKED BY	DATE	molex																				
		APPROVED BY IGUMIN	DATE 01/07/2008	MATERIAL NO. SEE TABLE	DOCUMENT NO. SD-106059-2X00	SHEET NO. 1 OF 1																		