



## DRA1 SERIES | CX-DC

DIN RAIL MOUNT



### Features

- 10mm Single Channel DIN Rail Mount SSR Assembly
- AC Ratings up to 380 VAC and 5 Amps
- 3-15 and 15-32 VDC Control
- Cage style screw terminals for easy connection
- Fits standard 35mm DIN rail
- Includes LED Status indicator

### Product Selection

Control Voltage	5A	5A	5A	5A	5A
3 - 15 VDC Control	DRA1-CX240D5	DRA1-CX240D5-B <sup>(2)</sup>	DRA1-CX240D5R		
4 - 15 VDC Control				DRA1-CXE240D5R	DRA1-CX380D5R
15 - 32 VDC Control	DRA1-CXE240D5		DRA1-CXE240D5R	DRA1-CXE380D5	



### SPECIFICATIONS

#### Output <sup>(1)</sup>

Description	CX(E)240x5	CX(E)380x5
Operating Voltage [VAC]	12 - 280	48 - 380**
Transient Overvoltage [Vpk]	600	1200
Maximum Load Current [Arms] <sup>(3)</sup>	5	5
Minimum Load Current [Arms]	0.06	0.06
Maximum Off-State Leakage Current @ Rated Voltage [mArms]	0.1	0.1
Maximum Off-State dv/dt @ Maximum Rated Voltage [V/μsec] <sup>(4)</sup>	500	500
Maximum 1 Cycle Surge Current (50/60 Hz) [Apk]	239 / 250	239 / 500
Maximum I <sup>2</sup> t for Fusing (50/60 Hz, ½ Cycle) [A <sup>2</sup> Sec]	285 / 260	285 / 260
Maximum On-State Voltage Drop @ Rated Current [Vpk]	1.4	1.4

## Input <sup>(1)</sup>

Description	DRA1-CX	DRA1-CX240D5-B	DRA1-CX380D5	DRA1-CXE
<b>Control Voltage Range</b>	3 - 15 VDC	4 - 28 VDC	4 - 15 VDC	15 - 32 VDC
<b>Must Turn-On Voltage</b>	3.0 VDC	1.0 VDC	4.0 VDC	15.0 VDC
<b>Must Turn-Off Voltage</b>	1.0 VDC	4.0 VDC	1.0 VDC	1.0 VDC
<b>Typical Input Current</b>	15 mAdc	10 mAdc	15 mAdc	15 mAdc
<b>Nominal Input Impedance</b>	300 Ohms	1360 Ohms	240 Ohms	1500 Ohms
<b>Maximum Turn-On Time [msec] <sup>(5)</sup></b>	½ Cycle	½ Cycle	½ Cycle	½ Cycle
<b>Maximum Turn-Off Time [msec]</b>	½ Cycle	½ Cycle	½ Cycle	½ Cycle

## General <sup>(1)</sup>

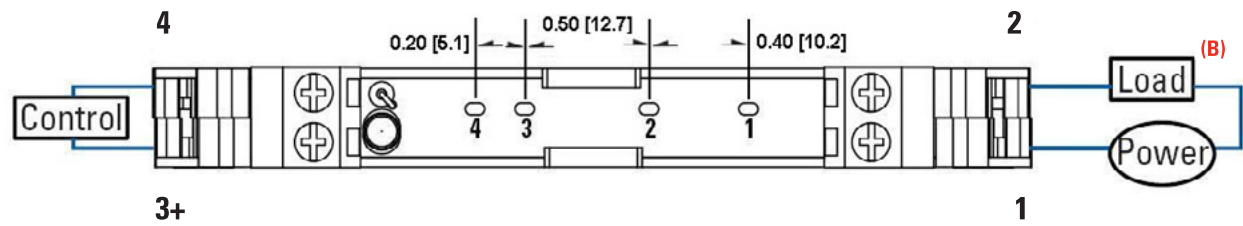
Description	Parameters
<b>Dielectric Strength, Input/Output (50/60 Hz)</b>	4000 Vrms
<b>Maximum Insulation Resistance (@ 500 VDC)</b>	10 <sup>9</sup> Ohm
<b>Maximum Capacitance, Input/Output</b>	10 pF
<b>Ambient Operating Temperature Range</b>	-30 to 80°C
<b>Ambient Storage Temperature</b>	-30 to 125°C
<b>Weight (Typical)</b>	0.063 lb (28.6 g)
<b>Encapsulation</b>	Thermally Conductive Epoxy



## WIRING DIAGRAM (A)

INPUT

OUTPUT



(A) Wiring diagram is identical for each individual section whether it is a single or four channel assembly.

(B) Load can be placed on either side of "Power"

For additional information or specific questions, contact Sensata Technical Support.

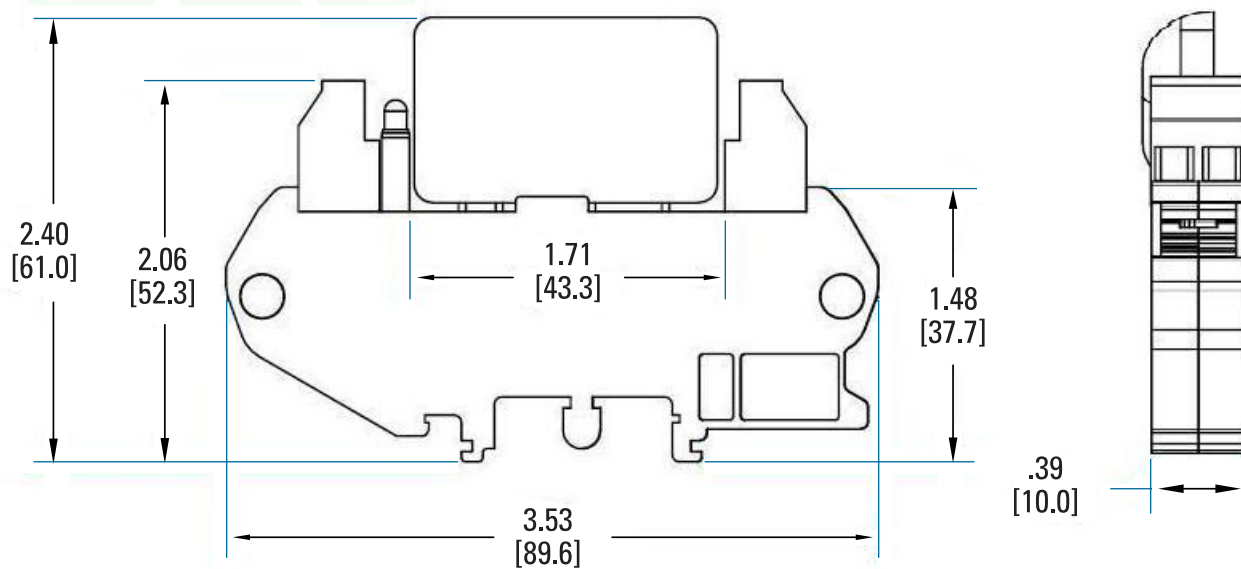


## MECHANICAL SPECIFICATIONS

Tolerances:  $\pm 0.02$  in / 0.5 mm

All dimensions are in inches [millimeters]

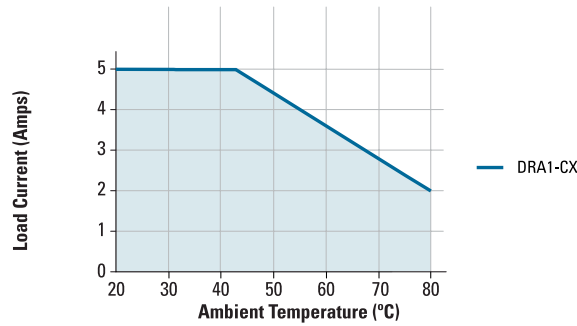
### CX/CMX Series SSR





## THERMAL DERATE INFORMATION

DRA1-CX Derating Curve



## GENERAL NOTES

- (1) All parameters at 25 °C unless otherwise specified.
- (2) The output is normally closed and does not have an LED status indicator.
- (3) See Derating Chart on page 4.
- (4) Off-State dv/dt test method per EIA/NARM standard RS-443, paragraph 13.11.1
- (5) Turn-on time for DC control random turn-on versions is 0.1 msec

\*\* NOTE: Turn-on time for DC control random turn on versions is 0.1 msec.  
For additional information or specific questions, contact Sensata Technical Support.



## AGENCY APPROVALS & CERTIFICATIONS



- VDE: 70938 (Relay Only)



## WARNINGS



- RISK OF MATERIAL DAMAGE AND HOT ENCLOSURE**
- The product's side panels may be hot, allow the product to cool before touching
  - Follow proper mounting instructions including torque values
  - Do not allow liquids or foreign objects to enter this product
- Failure to follow these instructions can result in serious injury, or equipment damage.**



- HAZARD OF ELECTRIC SHOCK, EXPLOSION OR ARC FLASH**
- Disconnect all power before installing or working with this equipment
  - Verify all connections and replace all covers before turning on power
- Failure to follow these instructions will result in death or serious injury.**

Sensata Technologies, Inc. ("Sensata") data sheets are solely intended to assist designers ("Buyers") who are developing systems that incorporate Sensata products (also referred to herein as "components"). Buyer understands and agrees that Buyer remains responsible for using its independent analysis, evaluation and judgment in designing Buyer's systems and products. Sensata data sheets have been created using standard laboratory conditions and engineering practices. Sensata has not conducted any testing other than that specifically described in the published documentation for a particular data sheet. Sensata may make corrections, enhancements, improvements and other changes to its data sheets or components without notice.

Buyers are authorized to use Sensata data sheets with the Sensata component(s) identified in each particular data sheet. HOWEVER, NO OTHER LICENSE, EXPRESS OR IMPLIED, BY ESTOPPEL OR OTHERWISE TO ANY OTHER SENSATA INTELLECTUAL PROPERTY RIGHT, AND NO LICENSE TO ANY THIRD PARTY TECHNOLOGY OR INTELLECTUAL PROPERTY RIGHT, IS GRANTED HEREIN. SENSATA DATA SHEETS ARE PROVIDED "AS IS". SENSATA MAKES NO WARRANTIES OR REPRESENTATIONS WITH REGARD TO THE DATA SHEETS OR USE OF THE DATA SHEETS, EXPRESS, IMPLIED OR STATUTORY, INCLUDING ACCURACY OR COMPLETENESS. SENSATA DISCLAIMS ANY WARRANTY OF TITLE AND ANY IMPLIED WARRANTIES OF MERCHANTABILITY, FITNESS FOR A PARTICULAR PURPOSE, QUIET ENJOYMENT, QUIET POSSESSION, AND NON-INFRINGEMENT OF ANY THIRD PARTY INTELLECTUAL PROPERTY RIGHTS WITH REGARD TO SENSATA DATA SHEETS OR USE THEREOF.

All products are sold subject to Sensata's terms and conditions of sale supplied at [www.sensata.com](http://www.sensata.com) SENSATA ASSUMES NO LIABILITY FOR APPLICATIONS ASSISTANCE OR THE DESIGN OF BUYERS' PRODUCTS. BUYER ACKNOWLEDGES AND AGREES THAT IT IS SOLELY RESPONSIBLE FOR COMPLIANCE WITH ALL LEGAL, REGULATORY AND SAFETY-RELATED REQUIREMENTS CONCERNING ITS PRODUCTS, AND ANY USE OF SENSATA COMPONENTS IN ITS APPLICATIONS, NOTWITHSTANDING ANY APPLICATIONS-RELATED INFORMATION OR SUPPORT THAT MAY BE PROVIDED BY SENSATA.

Mailing Address: Sensata Technologies, Inc., 529 Pleasant Street, Attleboro, MA 02703, USA.

## CONTACT US

- Americas**  
+1 (877) 502 5500 – Option 2  
[sales.crydom@sensata.com](mailto:sales.crydom@sensata.com)  
**Europe, Middle East & Africa**  
+44 (1202) 416170  
[ssr-info.eu@sensata.com](mailto:ssr-info.eu@sensata.com)  
**Asia Pacific**  
[sales.isasia@list.sensata.com](mailto:sales.isasia@list.sensata.com)  
China +86 (21) 2306 1500  
Japan +81 (45) 277 7117  
Korea +82 (31) 601 2004  
India +91 (80) 67920890  
Rest of Asia +886 (2) 27602006 ext 2808