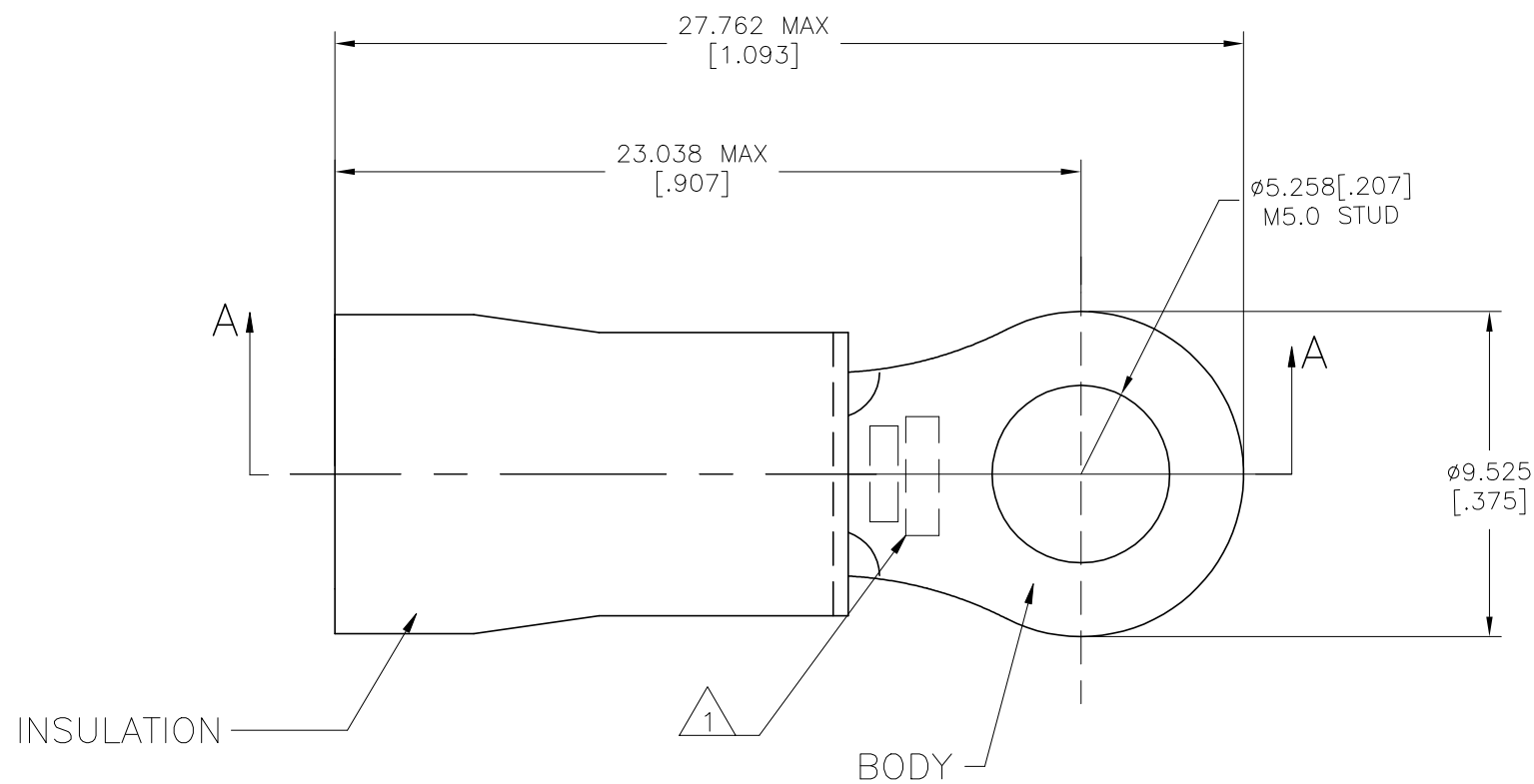
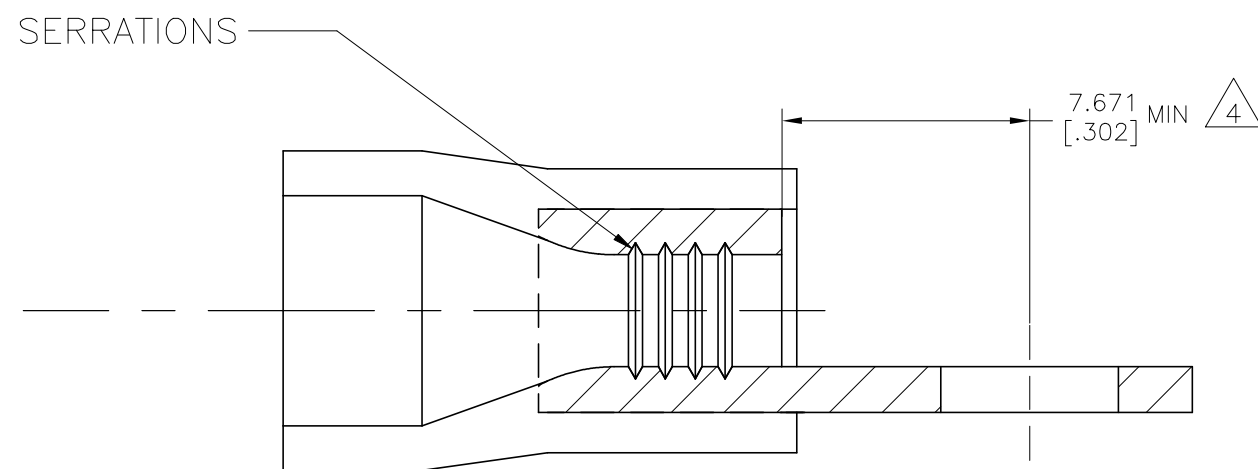


THIS DRAWING IS UNPUBLISHED. RELEASED FOR PUBLICATION. ALL RIGHTS RESERVED. © COPYRIGHT - TE Connectivity Ltd.

REVISIONS				
P	LTR	DESCRIPTION	DATE	APVD
R1		REV PER ECR-06-001930	13FEB06	HMR TM
R2		REV PER ECO-19-010240	12NOV2019	RS DR



- 1 STAMP 12-10* APPROXIMATELY AS SHOWN
- 2 WIRE INSULATION DIA: 3.785[.149]-6.401[.252]
- 3 BODY MATERIAL THICKNESS IS 0.991[.039]
- 4 APPLIES FROM EDGE OF METAL WIRE BARREL TO CENTER OF STUD HOLE
- 5 NOTE DELETED
- 6 MATERIAL:
BODY: COPPER PER ASTM B152
INSULATION : PVC
- 7 FINISH:
BODY: TIN PLATE 0.00254 [0.000100] MIN
EXT THK PER ASTM B545
INSULATION: COLOR - YELLOW



SECTION A-A

2500	TAPED MOUNTED	2-342184-1
500	LOOSE PIECE	342184-1
QTY	PACKAGING	PART NO

AMP INCORPORATED CUSTOMER SERVICE SYSTEMS			THIS DRAWING IS A CONTROLLED DOCUMENT.		DWN jr ruth 02DEC05	STE TE Connectivity
FOR ADDITIONAL PRODUCT INFORMATION OR COPIES OF DRAWINGS AND TECHNICAL DOCUMENTS	PRODUCT INFORMATION CENTER 1-800-522-6752	MAX RECOMMENDED OPERATING TEMPERATURE: 105°C [221°F] MAX	DIMENSIONS: mm [INCHES]	TOLERANCES UNLESS OTHERWISE SPECIFIED:	CHK T MICHELUTTI 02DEC05	
FOR APPLICATION	TOOLING ASSISTANCE CENTER 1-800-722-1111	VOLTAGE RATING: 600V MAX		0 PLC ± -	APVD T MICHELUTTI 02DEC05	NAME TERMINAL, RING TONGUE, PLASTI-GRIP, WIRE SIZE 12-10 AWG
TOOLING INFORMATION	1-800-722-1111	WIRE CROSS SECTIONAL AREA RANGE, 2.62-6.64mm²[5,180-13,100] CIR MILS SOLID OR STRANDED		1 PLC ± -	PRODUCT SPEC -	APPLICATION SPEC 114-2161
FOR ORDER ENTRY	1-800-526-5142		2 PLC ± -	3 PLC ± 0.127[.005]	WEIGHT -	CAGE CODE 00779
			4 PLC ± -	4 ANGLES ± 1°	DRAWING NO C=342184	RESTRICTED TO -
			MATERIAL 6	FINISH 7	CUSTOMER DRAWING	SCALE 5:1
					SHEET 1 of 1	REV R2