

Product data sheet

Specifications



Photoelectric sensors XU, accessory for sensor, reflector, 24 x 21 mm

XUZC24

Main

Range of product	Telemecanique Photoelectric sensors XU
Accessory / separate part category	Sensor accessories
Accessory / separate part type	Reflector
Accessory / separate part destination	Standard reflex photo-electric sensor
Shape of reflector	Rectangular
Sale per indivisible quantity	1

Complementary

Accessory dimension	24 x 21 mm
Net weight	0.01 kg

Packing Units

Unit Type of Package 1	PCE
Number of Units in Package 1	1
Package 1 Height	1.2 cm
Package 1 Width	5.5 cm
Package 1 Length	5.0 cm
Package 1 Weight	8.0 g
Unit Type of Package 2	S01
Number of Units in Package 2	100
Package 2 Height	15.0 cm
Package 2 Width	15.0 cm
Package 2 Length	40.0 cm
Package 2 Weight	1.0 kg

Offer Sustainability

Sustainable offer status	Green Premium product
REACH Regulation	REACH Declaration
EU RoHS Directive	Pro-active compliance (Product out of EU RoHS legal scope)

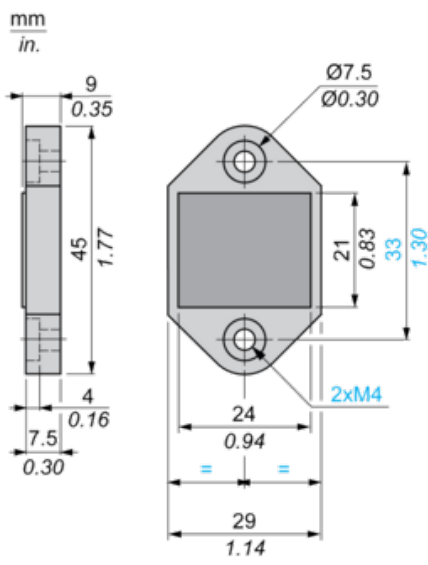
[EU RoHS Declaration](#)

Mercury free	Yes
RoHS exemption information	Yes
Environmental Disclosure	Product Environmental Profile
Circularity Profile	End of Life Information
California proposition 65	WARNING: This product can expose you to chemicals including: Diisononyl phthalate (DINP), which is known to the State of California to cause cancer, and Di-isodecyl phthalate (DIDP), which is known to the State of California to cause birth defects or other reproductive harm. For more information go to www.P65Warnings.ca.gov

Contractual warranty

Warranty	18 months
-----------------	-----------

Dimensions



Recommended replacement(s)