

4

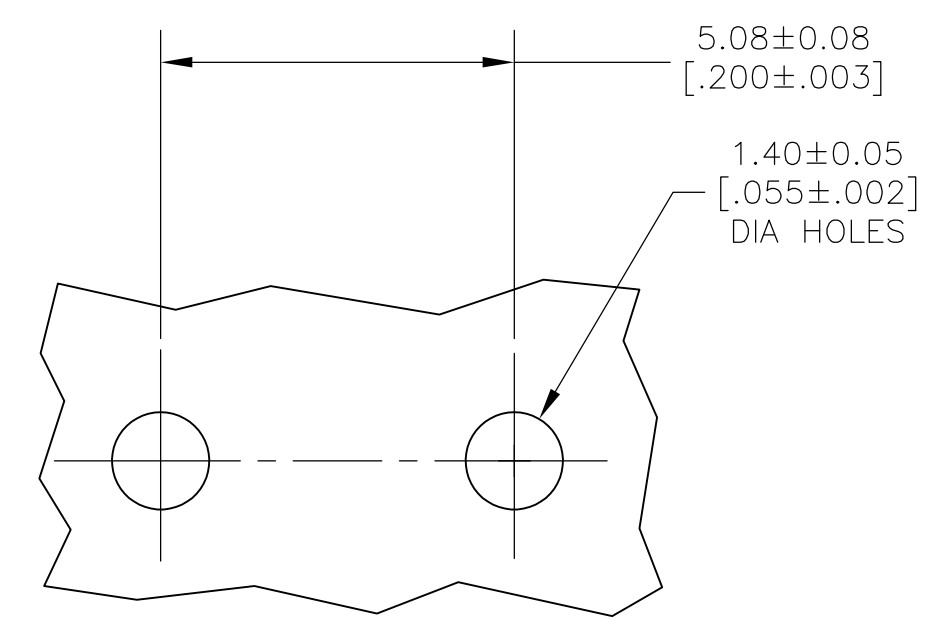
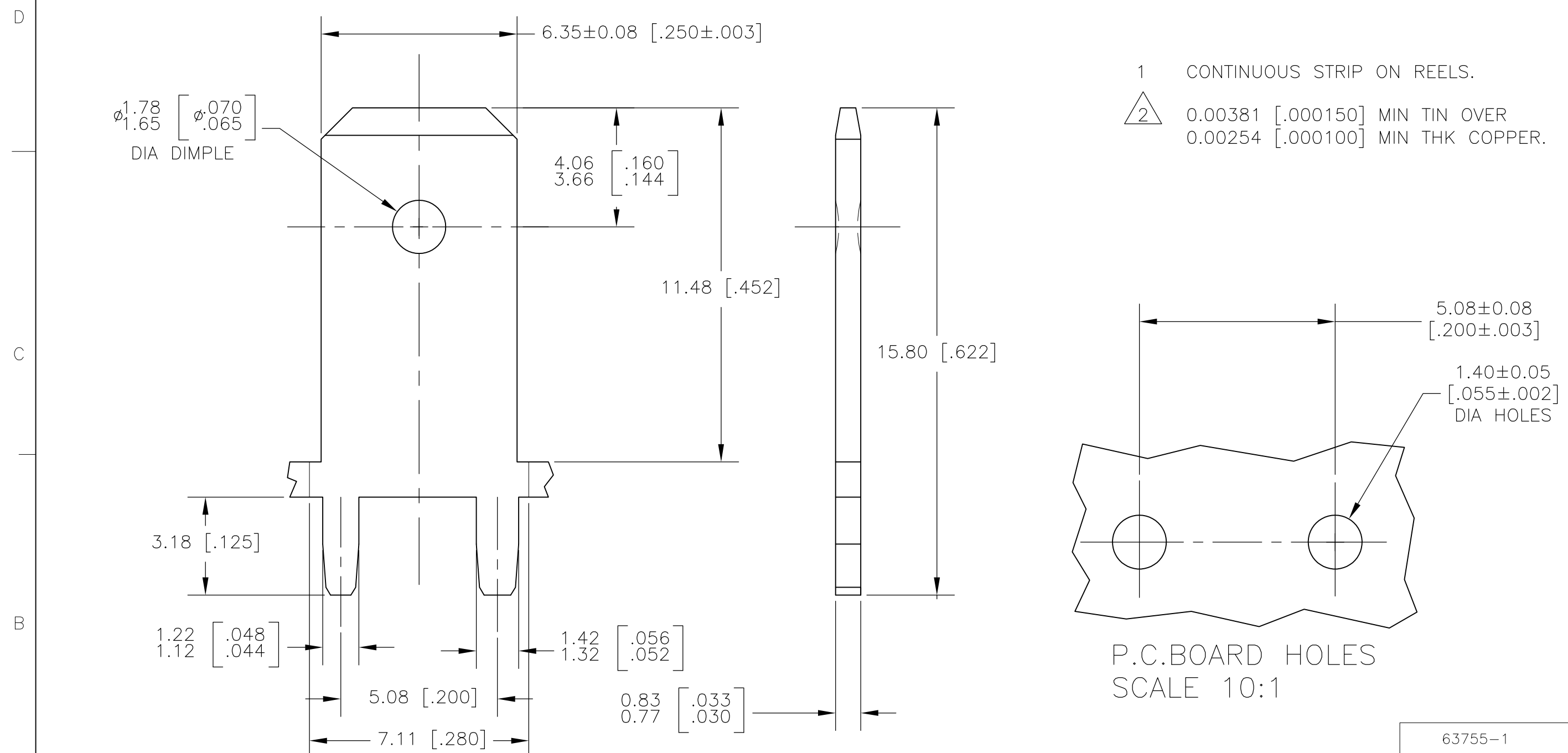
3

2

1

THIS DRAWING IS UNPUBLISHED. RELEASED FOR PUBLICATION - , - .
 © COPYRIGHT - By - ALL RIGHTS RESERVED.

LOC	DIST	REVISIONS			
P	LTR	DESCRIPTION	DATE	DWN	APVD
AF	50	F	REVISED PER ECR-13-001204	21JUN13	KH PD



63755-1
PART NUMBER

THIS DRAWING IS A CONTROLLED DOCUMENT.		DWN	JR RUTH	30NOV00	 TE Connectivity	NAME		TAB, FASTON, PC BOARD, 6.35 [.250] SERIES						
DIMENSIONS: mm[INCHES]		CHK	MS FEHER	30NOV00		APVD		G PORTA		30NOV00				
TOLERANCES UNLESS OTHERWISE SPECIFIED:		PRODUCT SPEC		APPLICATION SPEC		RESTRICTED TO		-						
0 PLC ± - 1 PLC ± - 2 PLC ± 0.38 [.015] 3 PLC ± - 4 PLC ± - ANGLES ± -		WEIGHT		-		SIZE		A3						
MATERIAL	BRASS	FINISH	TIN OVER COPPER	2		CAGE CODE		00779						
CUSTOMER DRAWING					DRAWING NO		C-63755		SCALE	8:1	SHEET	1 of 1	REV	F