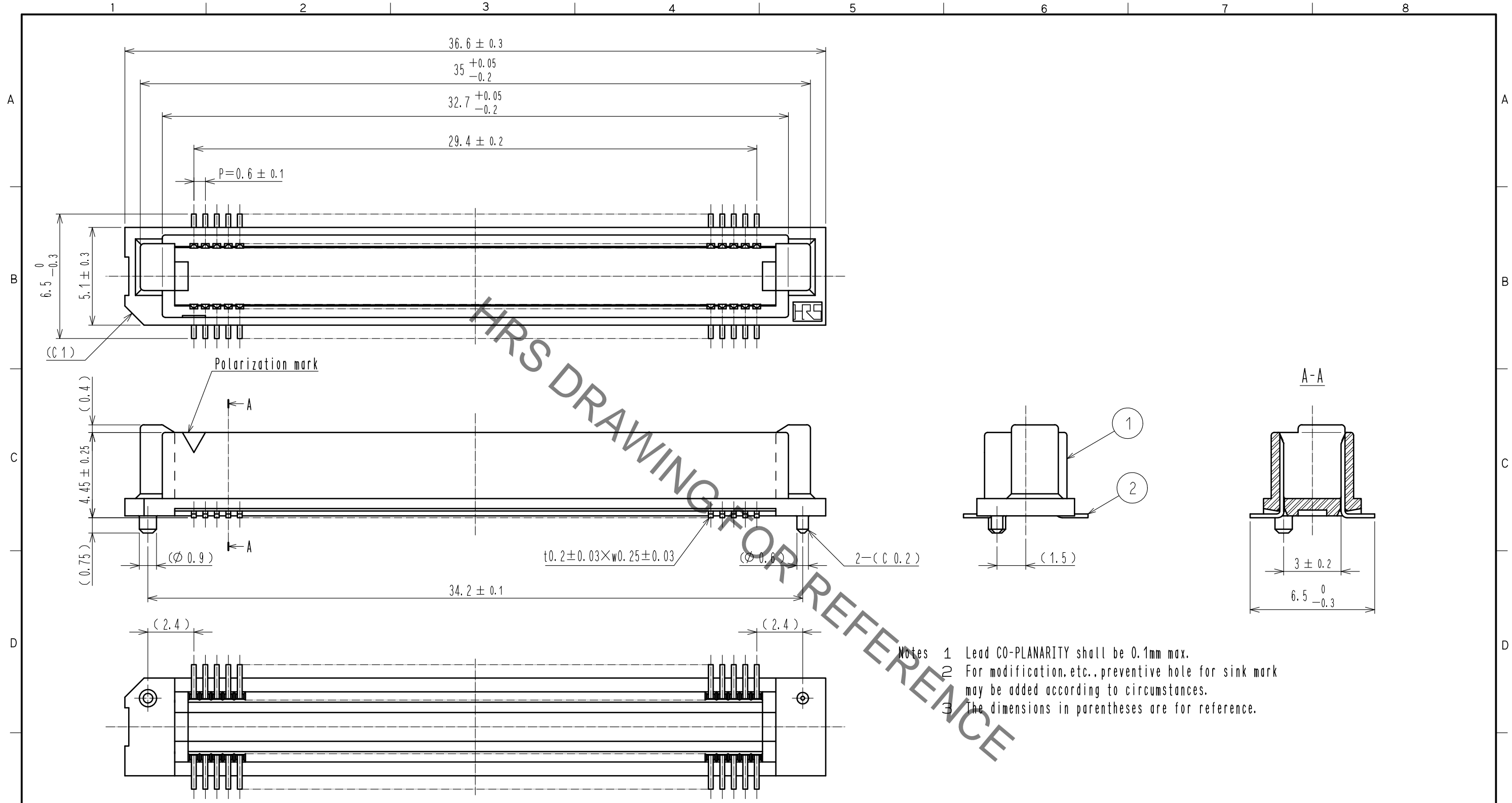


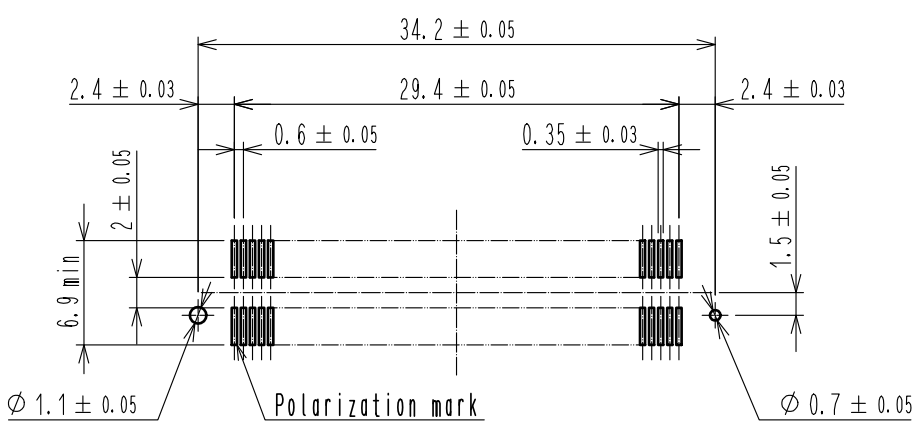
May.1.2023 Copyright 2023 HIROSE ELECTRIC CO., LTD. All Rights Reserved.
In case of consideration for using Automotive equipment / device which demand high reliability, kindly contact our sales window correspondents.



HRS DRAWING FOR REFERENCE

- Notes
- 1 Lead CO-PLANARITY shall be 0.1mm max.
 - 2 For modification, etc., preventive hole for sink mark may be added according to circumstances.
 - 3 The dimensions in parentheses are for reference.

Recommended land pattern dimension of PCB (mounting side) (2:1)



1	POLYPHENYLENE SULFIDE	Light brown (UL94V-0)	2	PHOSPHOR BRONZE	Contact area : Gold 0.1µm min. Lead area : Gold plating flash Under plating : Nickel 1µm min.
NO.	MATERIAL	FINISH . REMARKS	NO.	MATERIAL	FINISH . REMARKS
UNITS mm		SCALE 5 : 1	COUNT 1	DESCRIPTION OF REVISIONS DIS-F-00006413	DESIGNED KS. NAKAJIMA
 HIROSE ELECTRIC CO., LTD.		APPROVED : HS. OKAWA	20051105	DRAWING NO. EDC-150823-71-25	
		CHECKED : HS. OZAWA	20051105	PART NO. FX8C-100P-SV(71)	
		DESIGNED : KT. DOI	20051105	CODE NO. CL578-0505-0-71	
		DRAWN : AK. SUZUKAWA	20051019	1/2	
		DATE 20200803	CHECKED HT. YAMAGUCHI		

Added precaution

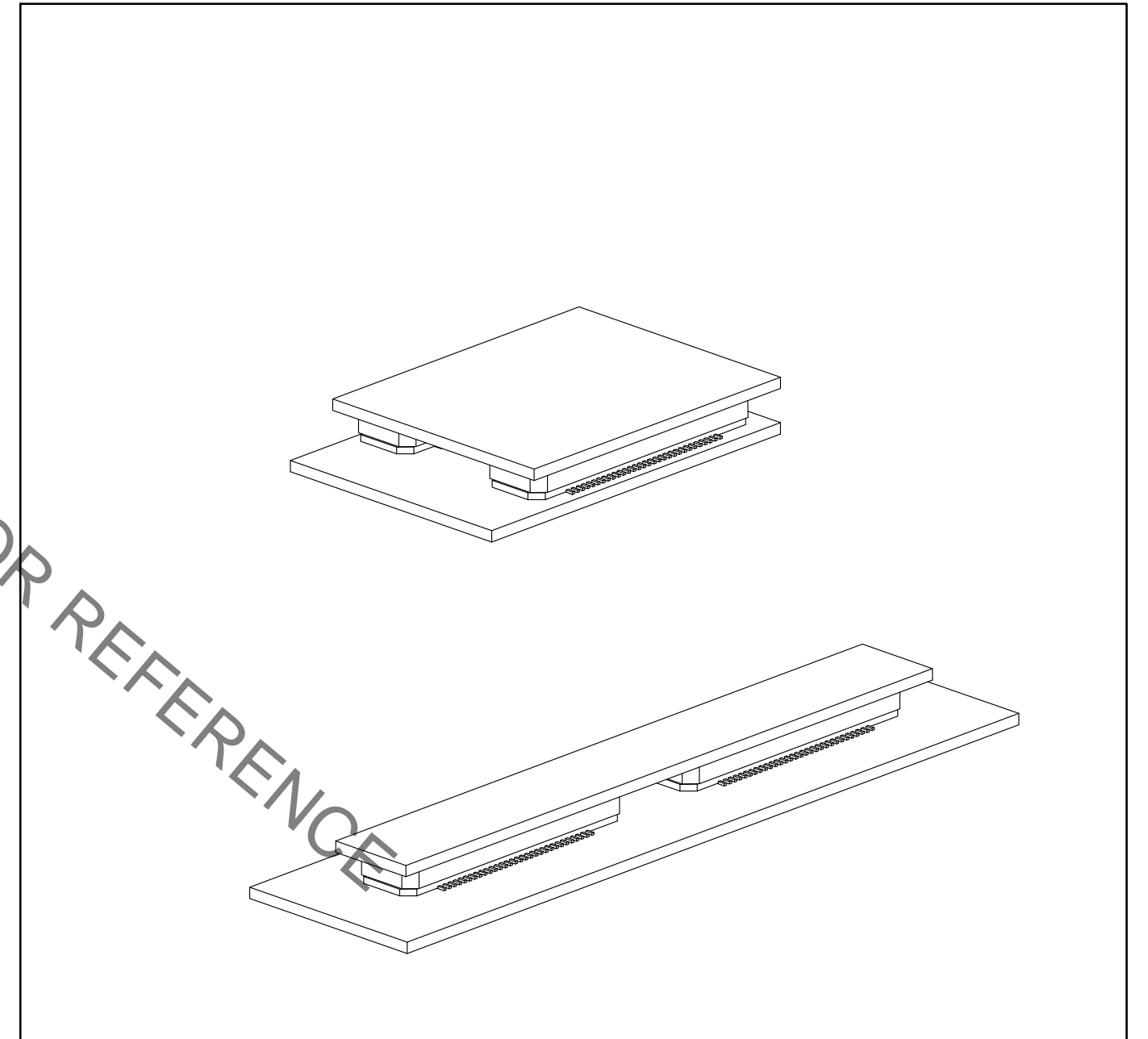
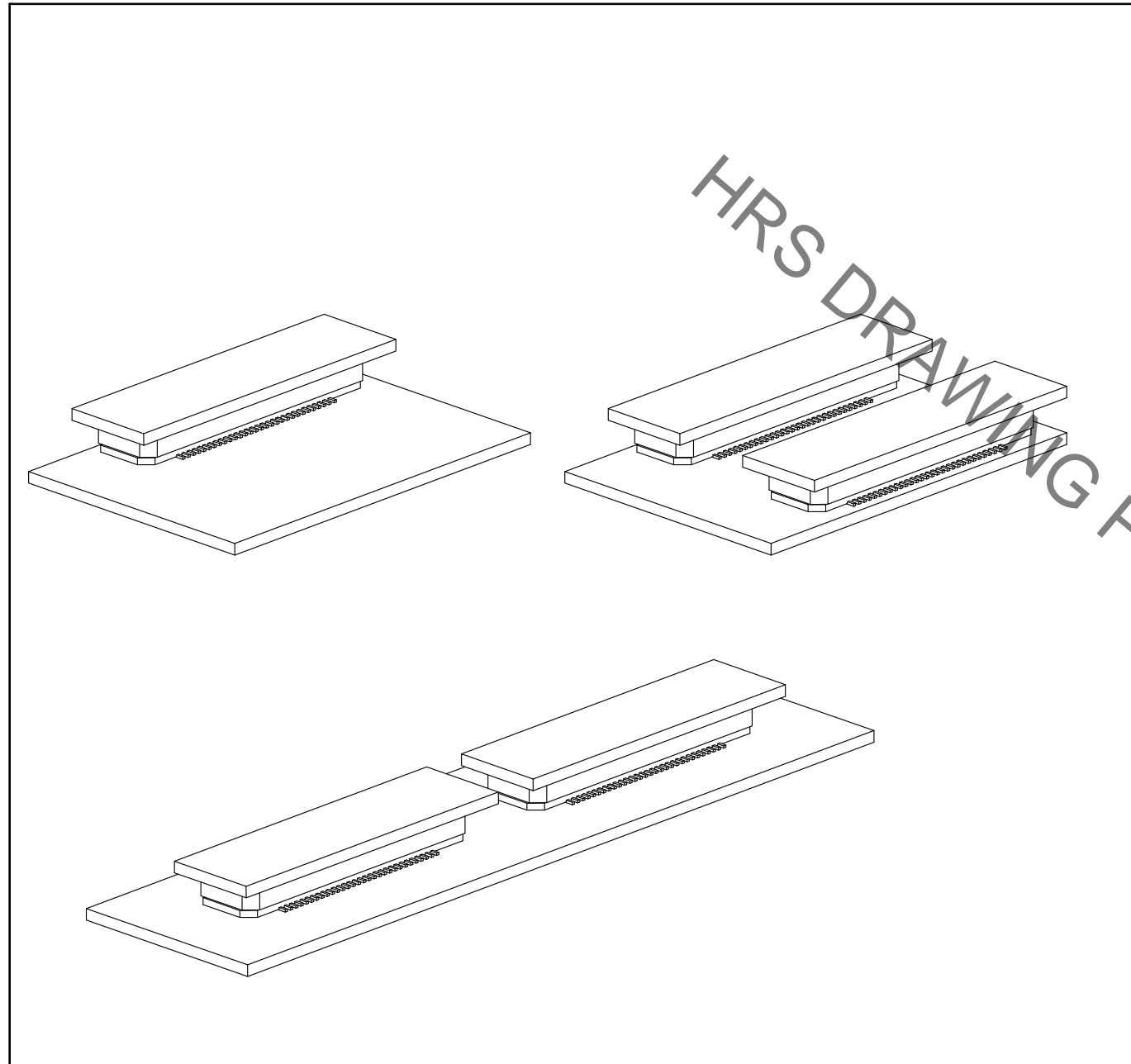
May.1.2023 Copyright 2023 HIROSE ELECTRIC CO., LTD. All Rights Reserved.
In case of consideration for using Automotive equipment / device which demand high reliability, kindly contact our sales window correspondents.

【 Precaution 】

When a board with multiple connectors mounted is mated, the connector may be damaged or deformed.
Please divide one side of the board so only one connector is mated per board.

OK

NG



HRS DRAWING FOR REFERENCE

HRS	DRAWING NO.	EDC-150823-71-25
	PART NO.	FX8C-100P-SV(71)
	CODE NO.	CL578-0505-0-71
		2/2