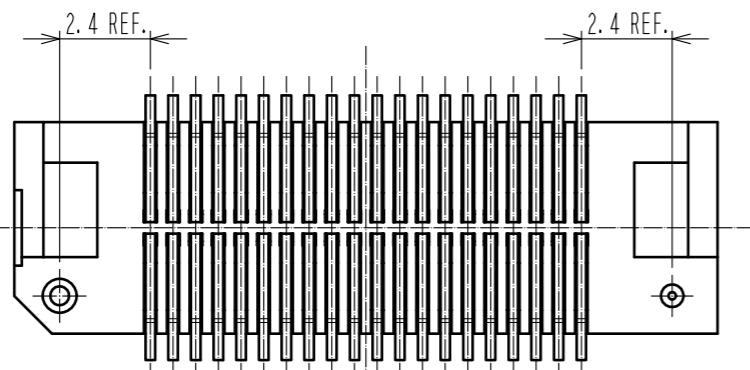
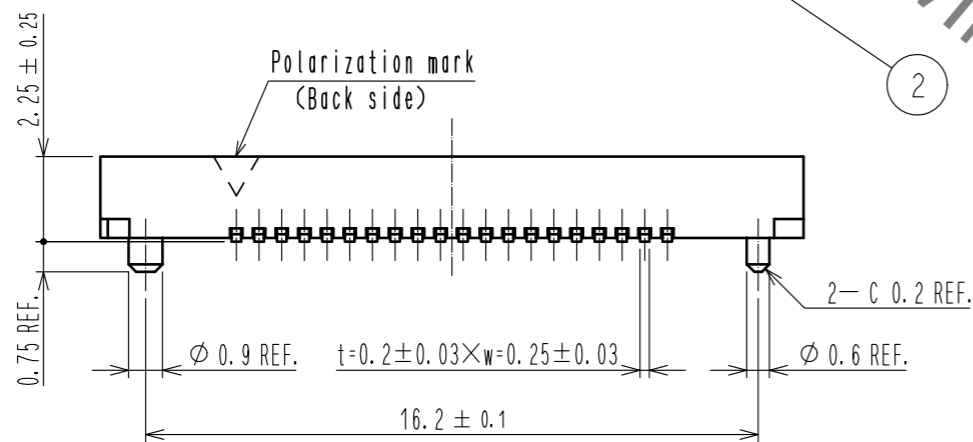
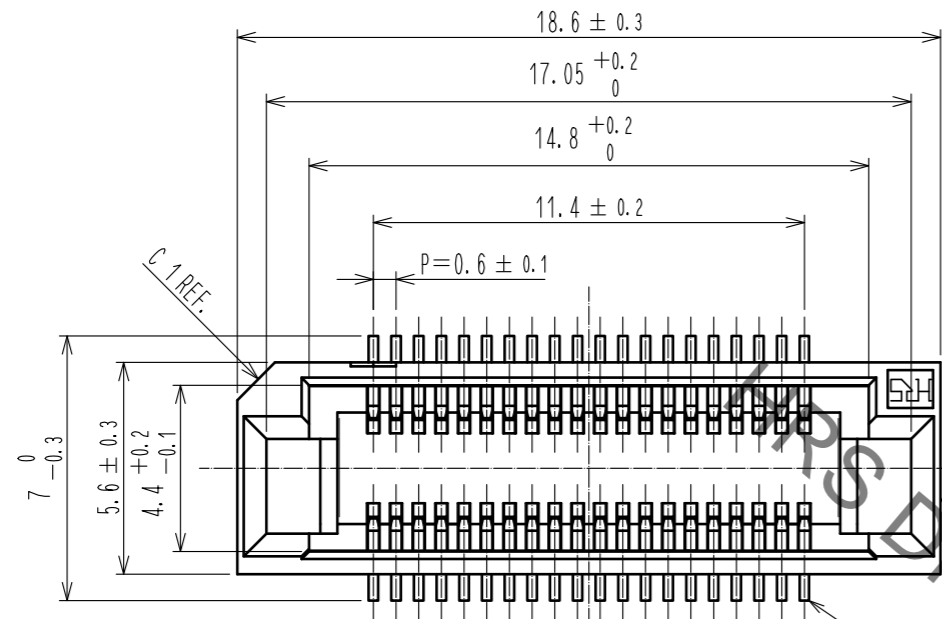
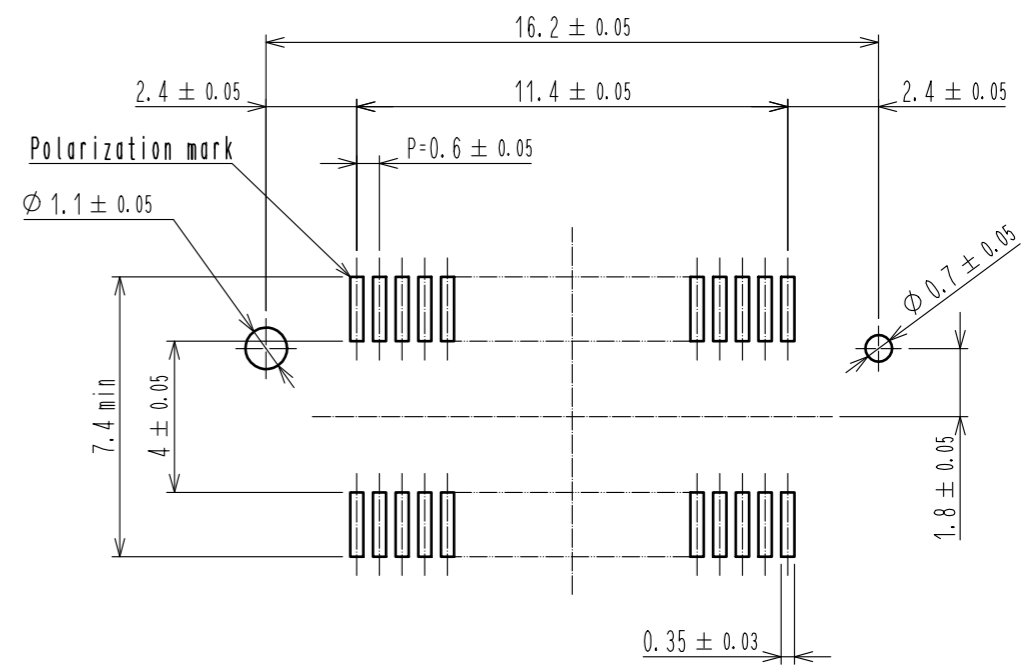


May.1.2023 Copyright 2023 HIROSE ELECTRIC CO., LTD. All Rights Reserved.
 In case of consideration for using Automotive equipment / device which demand high reliability, kindly contact our sales window correspondents.



Recommended land pattern dimension of PCB



- Notes
- 1 SMT lead CO-PLANARITY : 0.1 max.
 - 2 Emboss carrier tape package is applied on this product. Please refer to the sheet 2/3 for the details.
 - 3 For modification, etc., preventive hole for sink mark may be added according to circumstances.

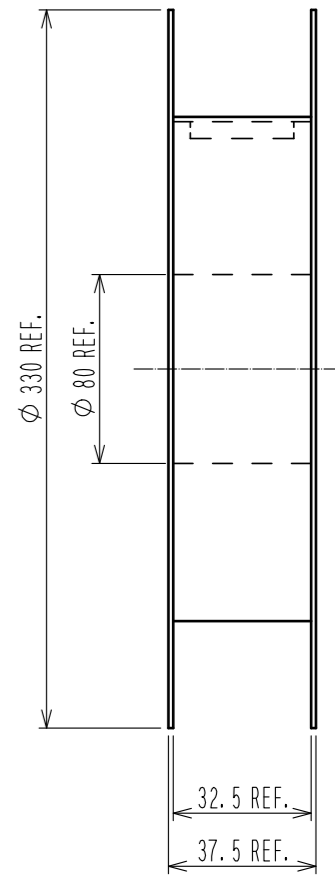
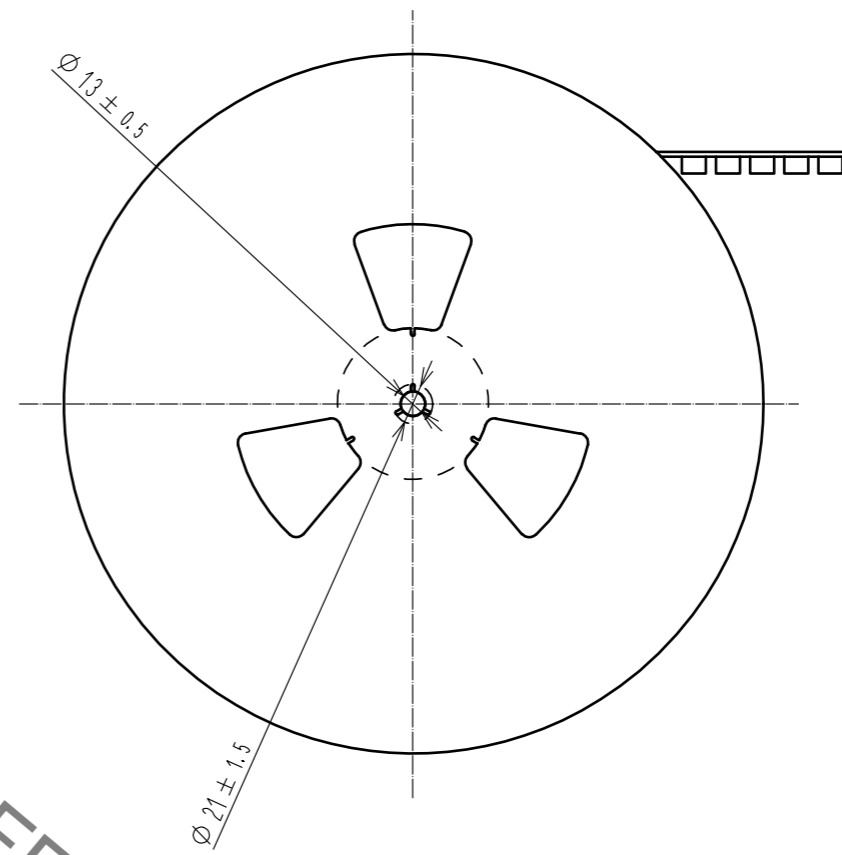
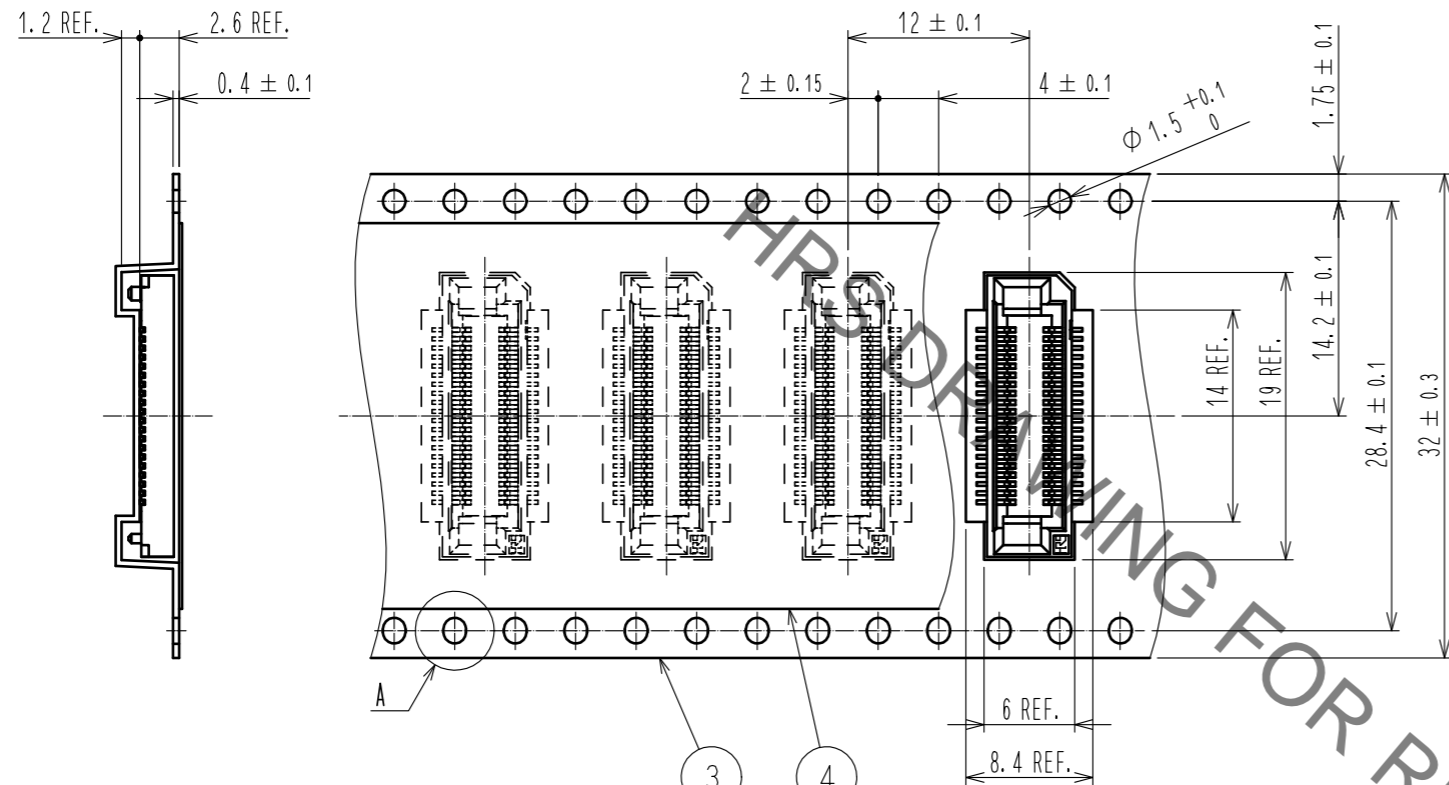
2	PHOSPHOR BRONZE	Contact : Gold plating 0.1µm min. Lead : Gold plating 0.03µm min. Under : Nickel plating 1.5µm min.	4	PS	Top cover tape				
1	PPS	Light brown, UL94V-0	3	PS	Embossed carrier tape				
NO.	MATERIAL	FINISH . REMARKS	NO.	MATERIAL	FINISH . REMARKS				
UNITS	mm	SCALE	5 : 1	COUNT	1	DESCRIPTION OF REVISIONS	DESIGNED	CHECKED	DATE
						DIS-F-00006412	KS. NAKAJIMA	HT. YAMAGUCHI	20200803
APPROVED : NH. NAKATA		20161121		DRAWING NO.		EDC-150990-22-00			
CHECKED : HT. YAMAGUCHI		20161121		PART NO.		FX8-40S-SV(22)			
DESIGNED : MT. ITANO		20161121		CODE NO.		CL578-0209-7-22			
DRAWN : MT. ITANO		20161121							

Added precaution

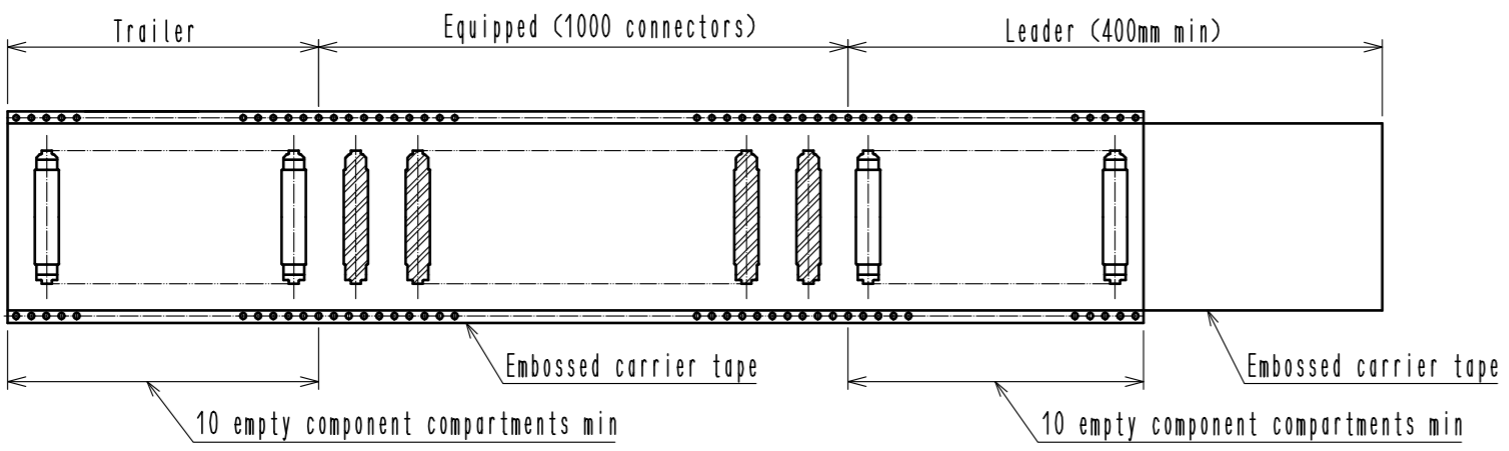
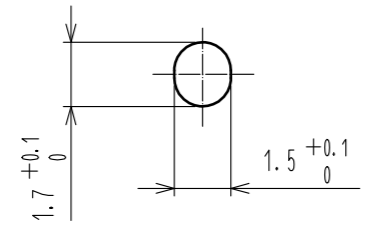
Drawing for packing (2:1)

The direction of pulling out 

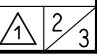
Reeled dimension (free)



A (5:1)



Notes 4 1 reel : 1000 connectors.

HRS	DRAWING NO.	EDC-150990-22-00
	PART NO.	FX8-40S-SV(22)
	CODE NO.	CL578-0209-7-22
		

May.1.2023 Copyright 2023 HIROSE ELECTRIC CO., LTD. All Rights Reserved. In case of consideration for using Automotive equipment / device which demand high reliability, kindly contact our sales window correspondents.

May.1.2023 Copyright 2023 HIROSE ELECTRIC CO., LTD. All Rights Reserved.
In case of consideration for using Automotive equipment / device which demand high reliability, kindly contact our sales window correspondents.

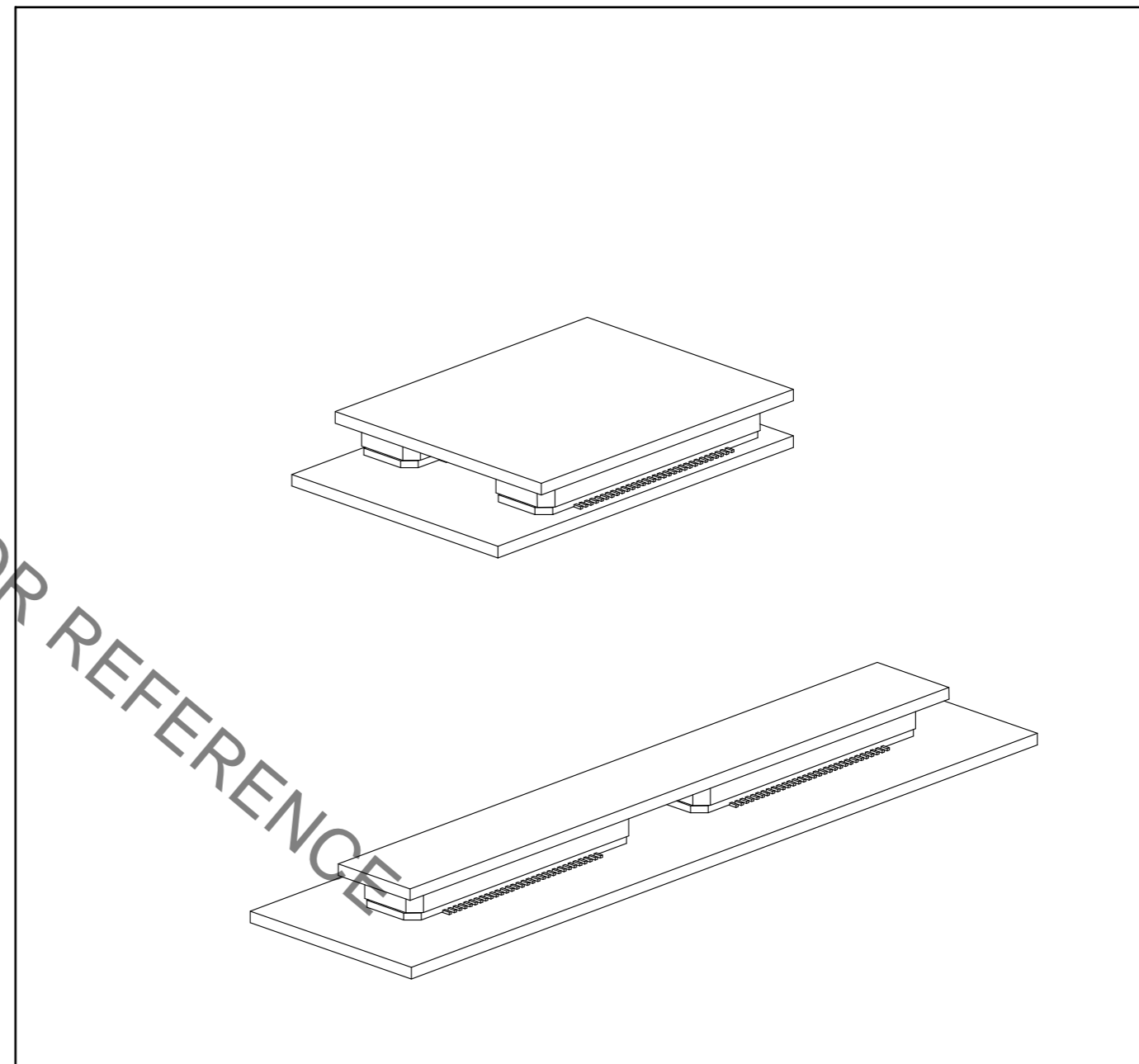
【 Precaution 】

When a board with multiple connectors mounted is mated, the connector may be damaged or deformed.
Please divide one side of the board so only one connector is mated per board.

OK



NG



HRS DRAWING FOR REFERENCE

HRS	DRAWING NO.	EDC-150990-22-00
	PART NO.	FX8-40S-SV(22)
	CODE NO.	CL578-0209-7-22
		3/3