

THIS DRAWING IS UNPUBLISHED.

RELEASED FOR PUBLICATION

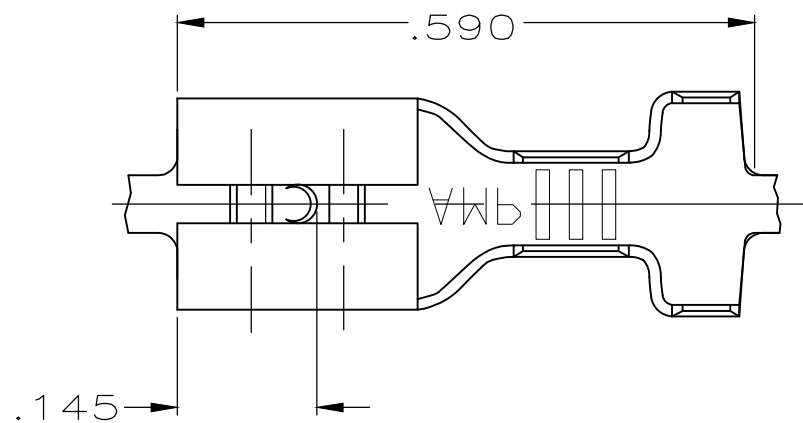
ALL RIGHTS RESERVED.

LOC AF DIST 50

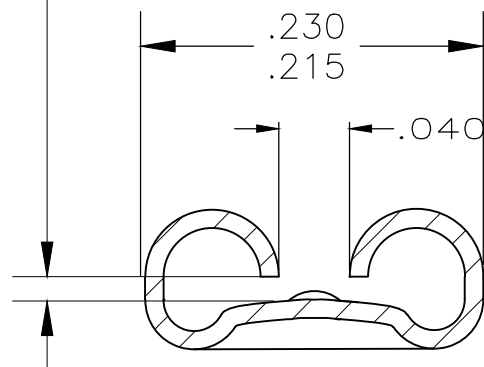
REVISIONS

P	LTR	DESCRIPTION	DATE	DWN	APVD
D1		REVISED PER ECR-20-009164	20JUL2020	MK	DH

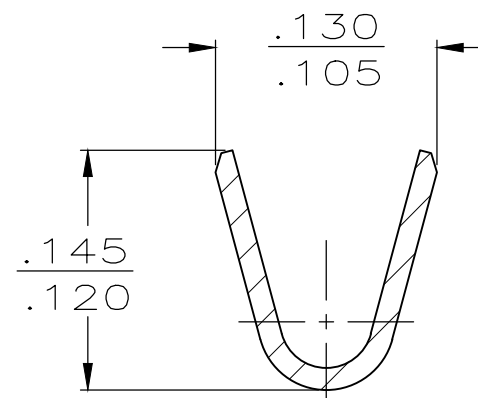
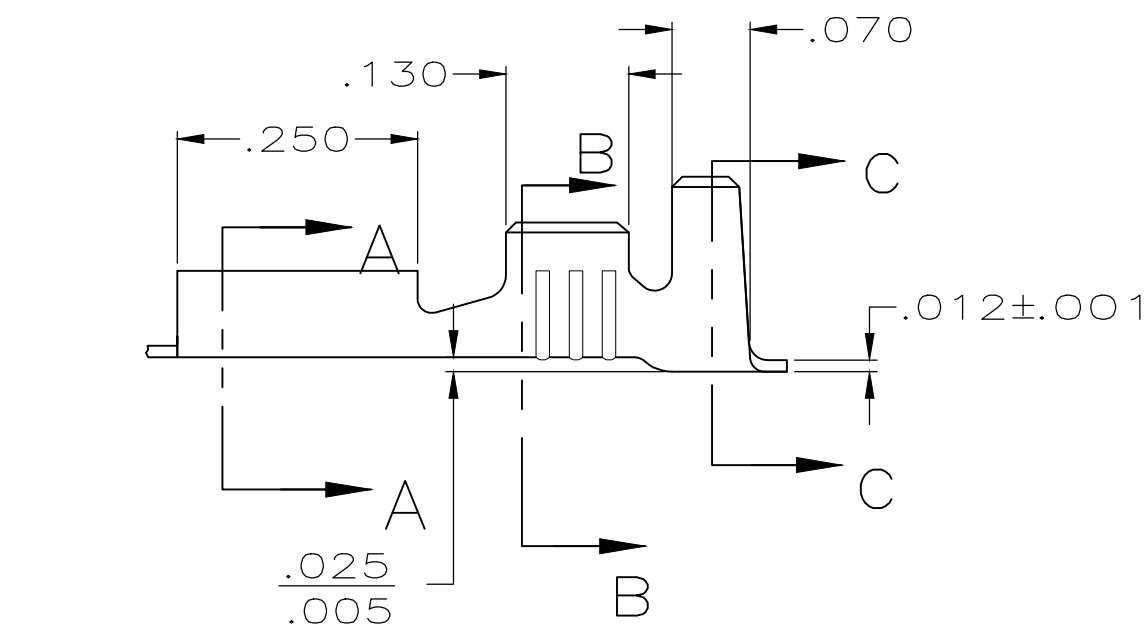
- 1 CONTINUOUS STRIP ON REELS
- 2 MATING TAB THK IS .033-.030
- 3 WIRE SIZE IS 18-16 OR TWO #18'S
- 4 INSULATION RANGE IS TWO AT .105 MAX DIA.



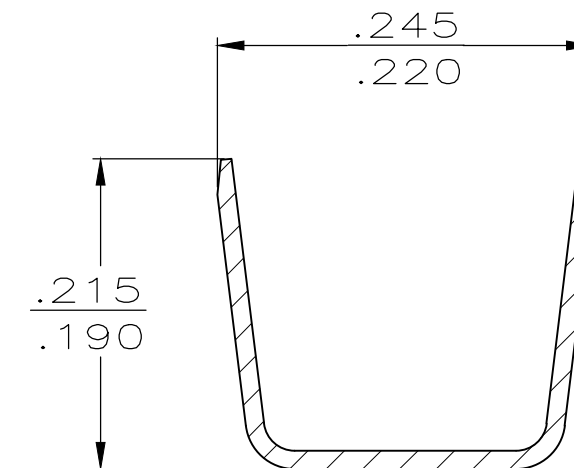
GAP AS REQUIRED TO MEET FORCE SPECIFICATIONS AND .028 MAX



SECTION A-A
SCALE 8:1



SECTION B-B
SCALE 8:1



SECTION C-C
SCALE 8:1

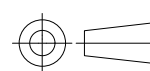
63769-1

PART NO.

F	.210	.188	F	.100	.055	16
					.049	18
TYPE	WIDTH	STRIP LENGTH ±.015	TYPE	WIDTH	±.002 HEIGHT	WIRE
INSUL BARREL CRIMP			WIRE BARREL CRIMP			

THIS DRAWING IS A CONTROLLED DOCUMENT.

DIMENSIONS:
INCHES



TOLERANCES UNLESS OTHERWISE SPECIFIED:

0 PLC	± -
1 PLC	± -
2 PLC	± -
3 PLC	± .015
4 PLC	± -
ANGLES	± -

MATERIAL
BRASS

FINISH
-

DWN	JR RUTH	1/13/93
CHK	MS FEHER	1/13/93
APVD	P DESANTIS	1/13/93
PRODUCT SPEC		
APPLICATION SPEC	114-2036	
WEIGHT	-	
CUSTOMER DRAWING		

STE TE Connectivity			
NAME			
RECEPTACLE, FASTON, .187 SERIES			
SIZE	CAGE CODE	DRAWING NO	RESTRICTED TO
A3	00779	C-63769	-
SCALE 5:1		SHEET 1 OF 1	REV D1