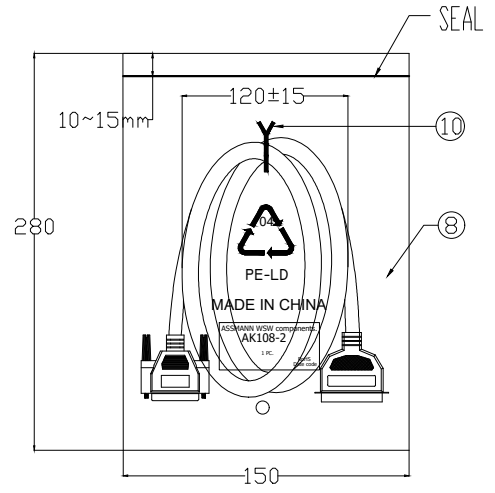


PIN ASSIGNMENT	
P1	P2
1	1
2	2
3	3
4	4
5	5
6	6
7	7
8	8
9	9
10	10
11	11
12	12
13	13
14	14
15	32
16	31
17	36
18	33
19	19
20	21
21	23
22	25
23	27
24	29
25	30
SHELL	SHELL

Electrical test:
 1.100% short,open,miswire test
 2.Conduct resistance:5 Ohm(max)
 3.Insulation resistance:10Mohm(min)
 4.dielectric test:DC 300V/10ms



NO.	NAME	Q'TY	SPECIFICATION
⑩	TIE	1	WHITE L=120mm
⑨	PE BAG	1/10	CLEAR SIZE: 360*380*0.05mm PRINT BLACK"MADE IN CHINA"+"10PCS".
⑧	PE BAG	1	CLEAR SIZE: 150*280*0.05mm PRINT BLACK"MADE IN CHINA"+"1PC".
⑦	TUBE	2	HEAT SHRINK TUBE BLACK OD1.5*20MM
⑥	SCREW	2	#4-40UNC TYPE L=30mm,NICKEL PLATED,MOLD:BEIGE(IV-29) ABS
⑤	IN JACKET	9g	CLEAR LD-PE (Mould NO.:NM-62)
	OUT JACKET	30g	BEIGE(IV-29) 40P PVC(Mould NO.WM-145)
④	IN JACKET	9g	CLEAR LD-PE (Mould NO.:NM-33)
	OUT JACKET	30g	BEIGE(IV-29) 40P PVC(Mould NO.WM-071)
③	CONN	1	CN 36P MALE SODER TYPE PIN G/F SHELL NI-PLATED INSULATOR COLOR:BLUE
②	CONN	1	DB 25P MALE SODER TYPE PIN G/F SHELL NI-PLATED INSULATOR COLOR:BLUE
①	CABLE	1	NOUL 30AWG*25C+D+AL/MY OD6.5mm JACKET:BEIGE(IV-29) L=2000±15MM

RoHS compliant
Unit: mm

Scale	Free				Date	Name	Customer-No.
TOLERANCE					Drawn	20.02.2017	Amy
					Approved	02.09.2021	Daniel
		②	Change the Note and wire gauge	02.09.2021	Daniel		ASSMANN WSW-No. AK108-2
DIM		TOL	①	Delete the wire color for pin assignment	04.09.2017	Fred	Drawing-No. ASS 7858 CA rev02
			⑩	Drawn	20.02.2017	Amy	Replace Sheet
Angle		TOL	Id.	Modification	Date	Name	

