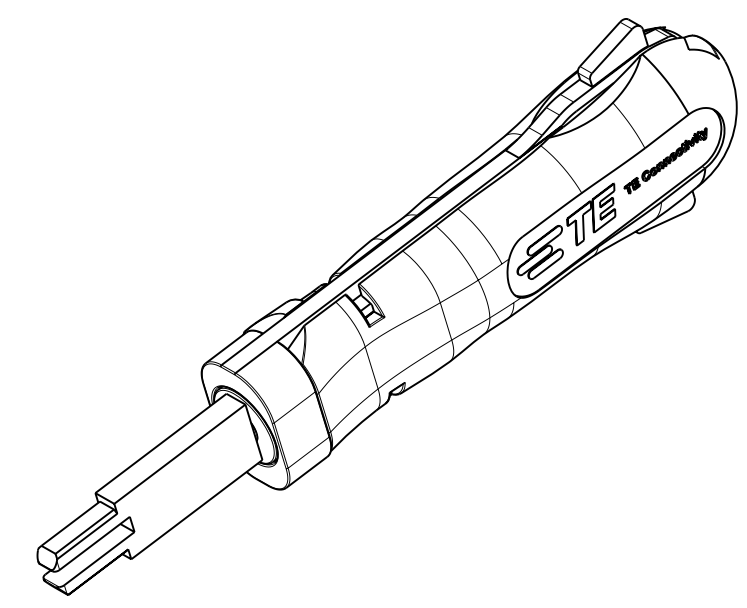
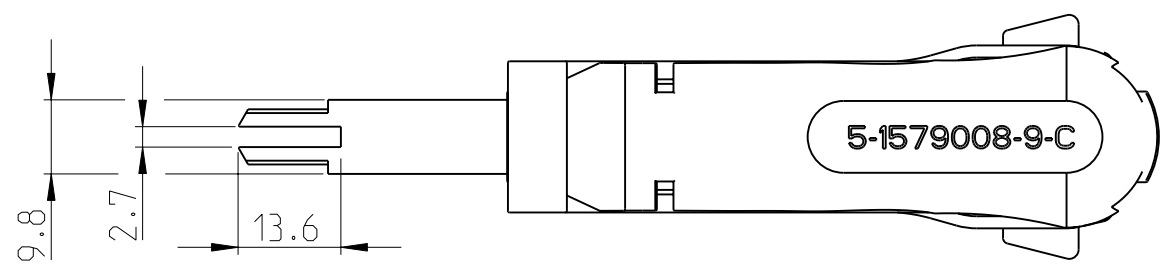
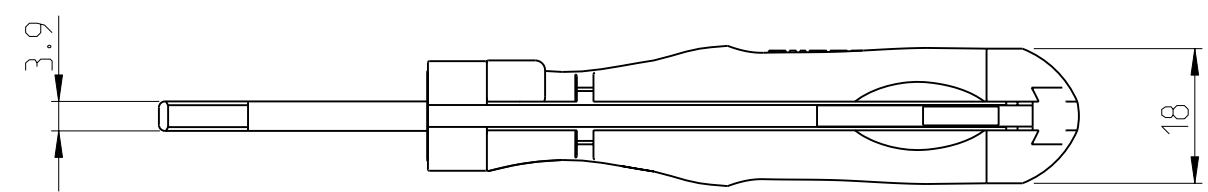
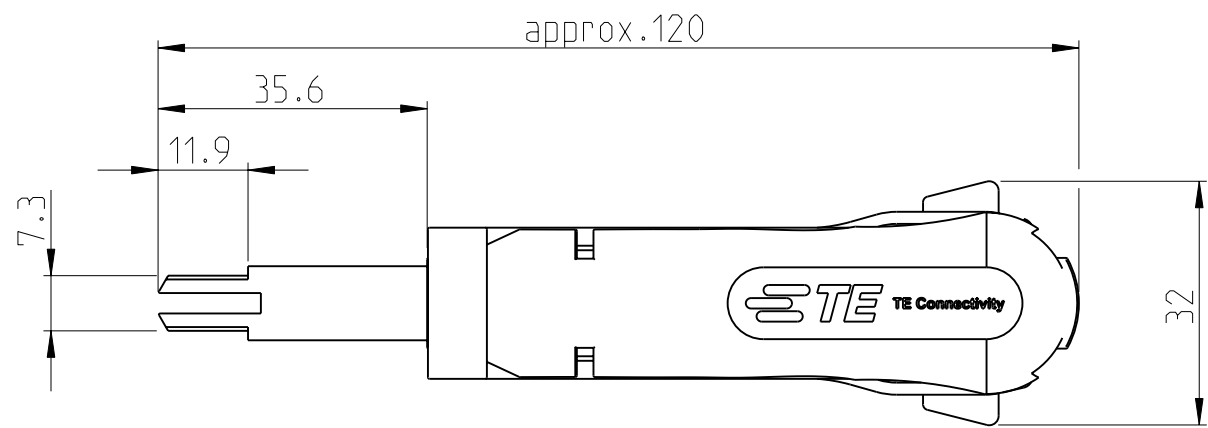



LOC	DIST	REVISIONS				
P	LTR	DESCRIPTION	DATE	DWN	APVD	
A1	-	C	ECR-12-008377	07MAY12	RG	LB



APPLICATION RANGE / Anwendungsbereich

CONTACT NG1: 1544227-x, 1544228-x,
 1544106-x, 1544107-x,
 1544964-x, 1544965-x,
 1544966-x, 1801431-x,
 1801432-x, 1801433-x

Housing NG1: 1544317-x, 1801670-x,
 1544650-x, 1801655-x,
 1544662-x,
 1801422-x,
 1544978-x,
 1801398-x

THIS DRAWING IS A CONTROLLED DOCUMENT.		DWN	L. Sandhu	10JUN09	 TE Connectivity											
DIMENSIONS: mm		CHK	S. Samstag	10JUN09												
TOLERANCES UNLESS OTHERWISE SPECIFIED:		APVD	S. Samstag	10JUN09												
0 PLC ± 1 PLC ± 2 PLC ± 3 PLC ± 4 PLC ± ANGLES ±1°		PRODUCT SPEC	NAME			EXTRACTION TOOL Entriegelungswerkzeug										
MATERIAL -		FINISH -	APPLICATION SPEC -		RESTRICTED TO -											
		WEIGHT -	SIZE	A3	CAGE CODE	00779	DRAWING NO	5-1579008-9	SCALE	1:1	SHEET	1	OF	1	REV	C
CUSTOMER DRAWING																