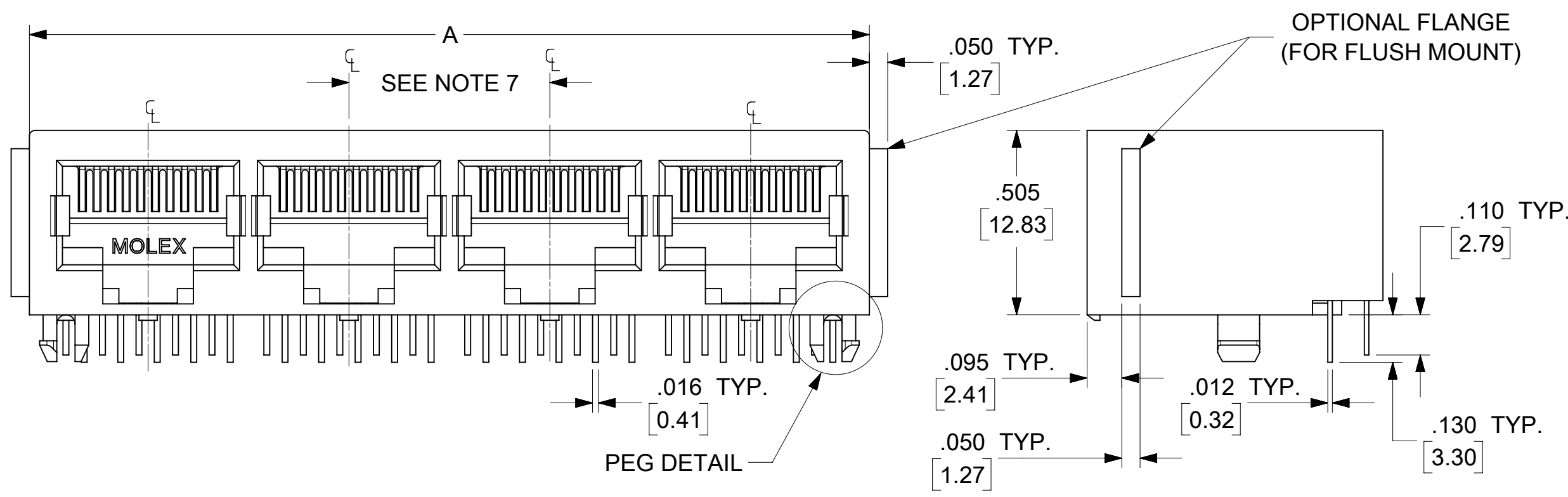


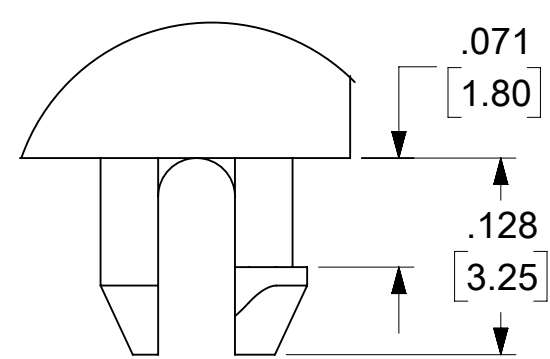
NOTES:

- 1) MATERIAL:
HOUSING: GLASS FILLED NYLON, UL94V-0, COLOR: BLACK
INSULATOR: GLASS FILLED NYLON, UL94V-0, COLOR: BLACK
TERMINALS: PHOSPHOR BRONZE: .012/ 0.30 THICK
- 2) FINISH:
TERMINALS:
SELECT GOLD IN CONTACT AREA: 50 MICROINCHES/ 1.27 MICROMETERS MIN.,
*SELECT TIN IN PC TAIL AREA: 100 MICROINCHES/ 2.54 MICROMETERS MIN.,
WITH OVERALL NICKEL UNDERPLATE: 50 MICROINCHES/ 1.27 MICROMETERS MIN.
*THE PRIMARY SHIPPING CARTON WILL BE LABELED "COMPLIANT TO RoHS DIRECTIVE 2002/95/EC AND ELV ANNEX II OF DIRECTIVE 2000/53/EC".
CARTONS WITHOUT THIS LABEL MAY CONTAIN PRODUCT WITH TIN-LEAD IN THE PC TAIL AREA.
- 3) PRODUCT SPECIFICATION AND PROCESSING PARAMETERS: PS-43223-001.
- 4) PACKAGING SPECIFICATION:
UNSHIELDED CONNECTOR ASSEMBLIES PACKAGED IN TRAYS PER MOLEX PACKAGING SPECIFICATION PK-43249-004.
- 5) SEE SHEETS 4-6 FOR P.C. BOARD LAYOUTS.
- 6) SEE SHEET 2 FOR THE SHIELDED JACK ASSEMBLY.
- 7) FOR 6 CIRCUIT JACKS CENTERLINE TO CENTERLINE SPACING IS .448/ 11.38, FOR 8 CIRCUIT JACKS CENTERLINE TO CENTERLINE SPACING IS .550/ 13.97.
- 8) ALL UNTOLERANCED DIMENSIONS ARE SHOWN FOR REFERENCE ONLY.
- 9) THIS PART CONFORMS TO CLASS B REQUIREMENTS OF COSMETIC SPECIFICATION PS-45499-002.

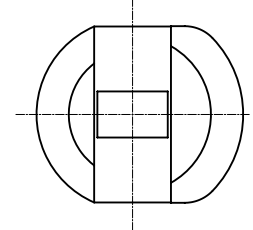


**4 PORT 8 LOADED
10 JACK SHOWN**

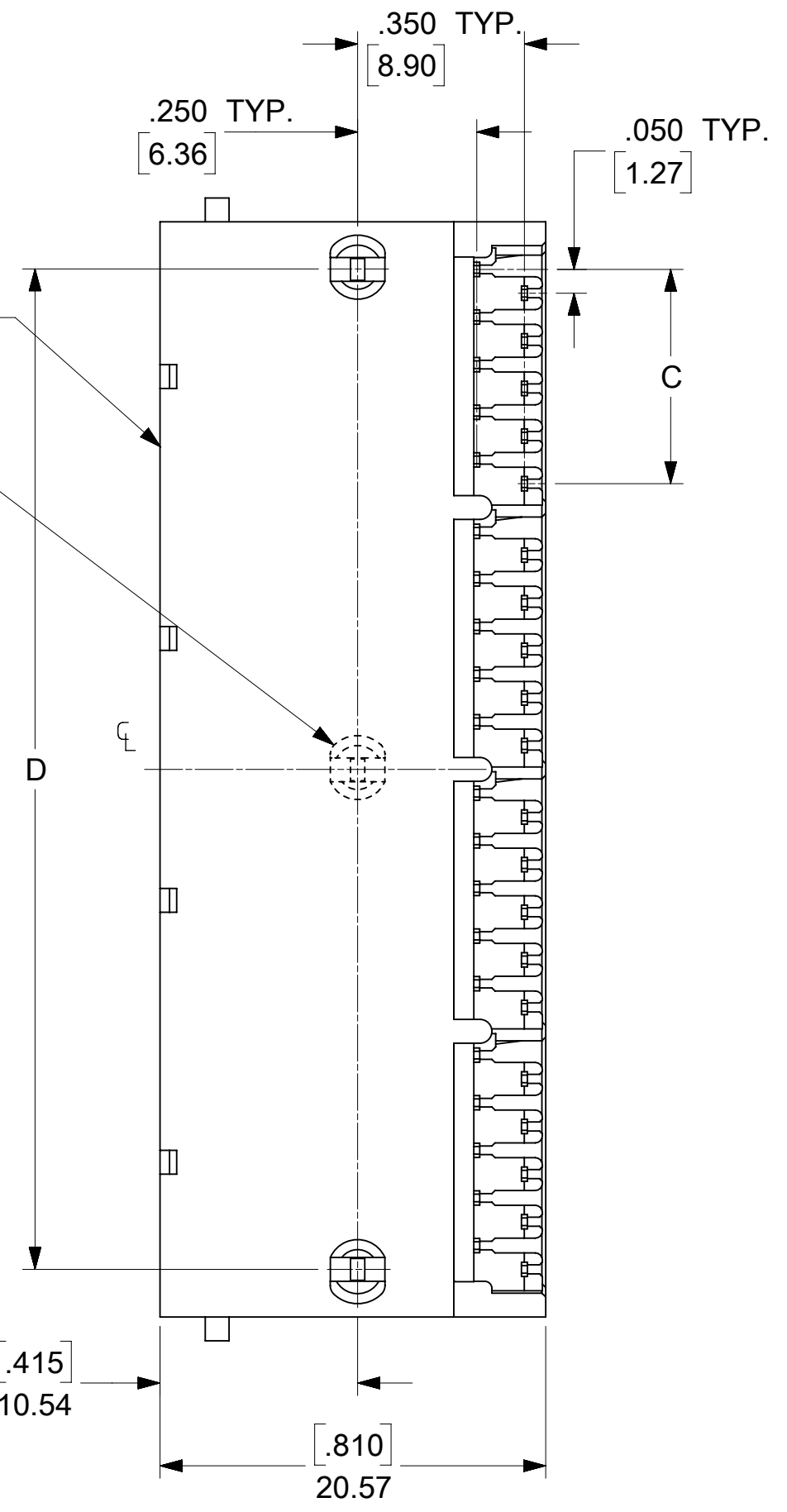
UNSHIELDED GANGED JACK ASSEMBLY
SHEET 3



CENTER PEG
(8 PORT ASSY. ONLY)



SNAP FIT
PEG DETAIL
SCALE 8:1



6 CIRCUIT HOUSING

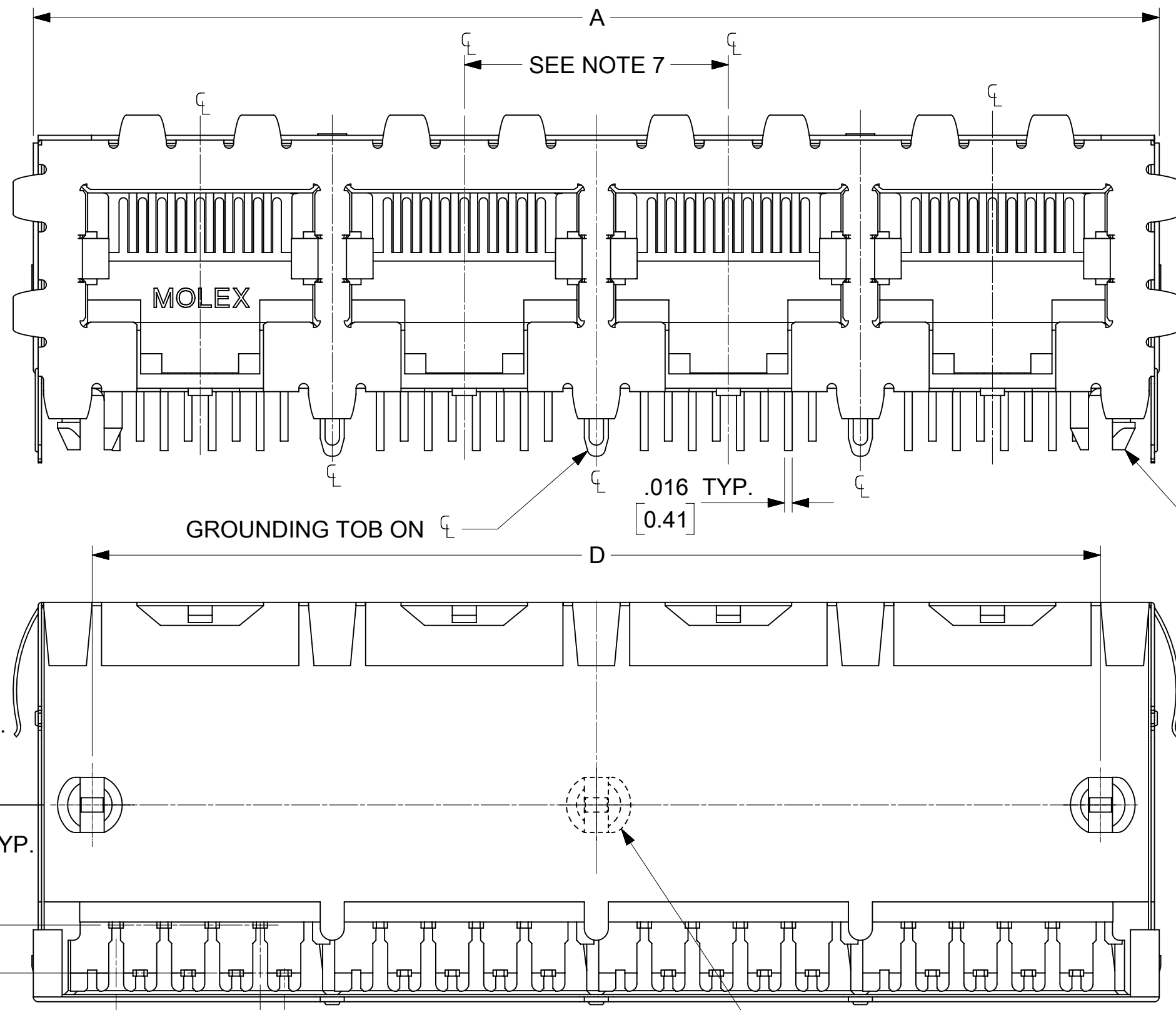
| CIRCUIT SIZE | NO. OF PORTS | DIM. A | DIM. C | DIM. D |
|--------------|--------------|---------------|-------------|---------------|
| 6 | 2 | .985 (25.02) | .250 (6.35) | .848 (21.54) |
| 4 | 2 | .985 (25.02) | .150 (3.81) | .848 (21.54) |
| 2 | 2 | .985 (25.02) | .050 (1.27) | .848 (21.54) |
| 6 | 3 | 1.433 (36.40) | .250 (6.35) | 1.296 (32.92) |
| 4 | 3 | 1.433 (36.40) | .150 (3.81) | 1.296 (32.92) |
| 2 | 3 | 1.433 (36.40) | .050 (1.27) | 1.296 (32.92) |
| 6 | 4 | 1.881 (47.78) | .250 (6.35) | 1.744 (44.30) |
| 4 | 4 | 1.881 (47.78) | .150 (3.81) | 1.744 (44.30) |
| 2 | 4 | 1.881 (47.78) | .050 (1.27) | 1.744 (44.30) |
| 6 | 5 | 2.329 (59.16) | .250 (6.35) | 2.192 (55.68) |
| 4 | 5 | 2.329 (59.16) | .150 (3.81) | 2.192 (55.68) |
| 2 | 5 | 2.329 (59.16) | .050 (1.27) | 2.192 (55.68) |
| 6 | 6 | 2.777 (70.54) | .250 (6.35) | 2.640 (67.06) |
| 4 | 6 | 2.777 (70.54) | .150 (3.81) | 2.640 (67.06) |
| 2 | 6 | 2.777 (70.54) | .050 (1.27) | 2.640 (67.06) |
| 6 | 8 | 3.673 (93.29) | .250 (6.35) | 3.536 (89.81) |
| 4 | 8 | 3.673 (93.29) | .150 (3.81) | 3.536 (89.81) |
| 2 | 8 | 3.673 (93.29) | .050 (1.27) | 3.536 (89.81) |

8 CIRCUIT HOUSING

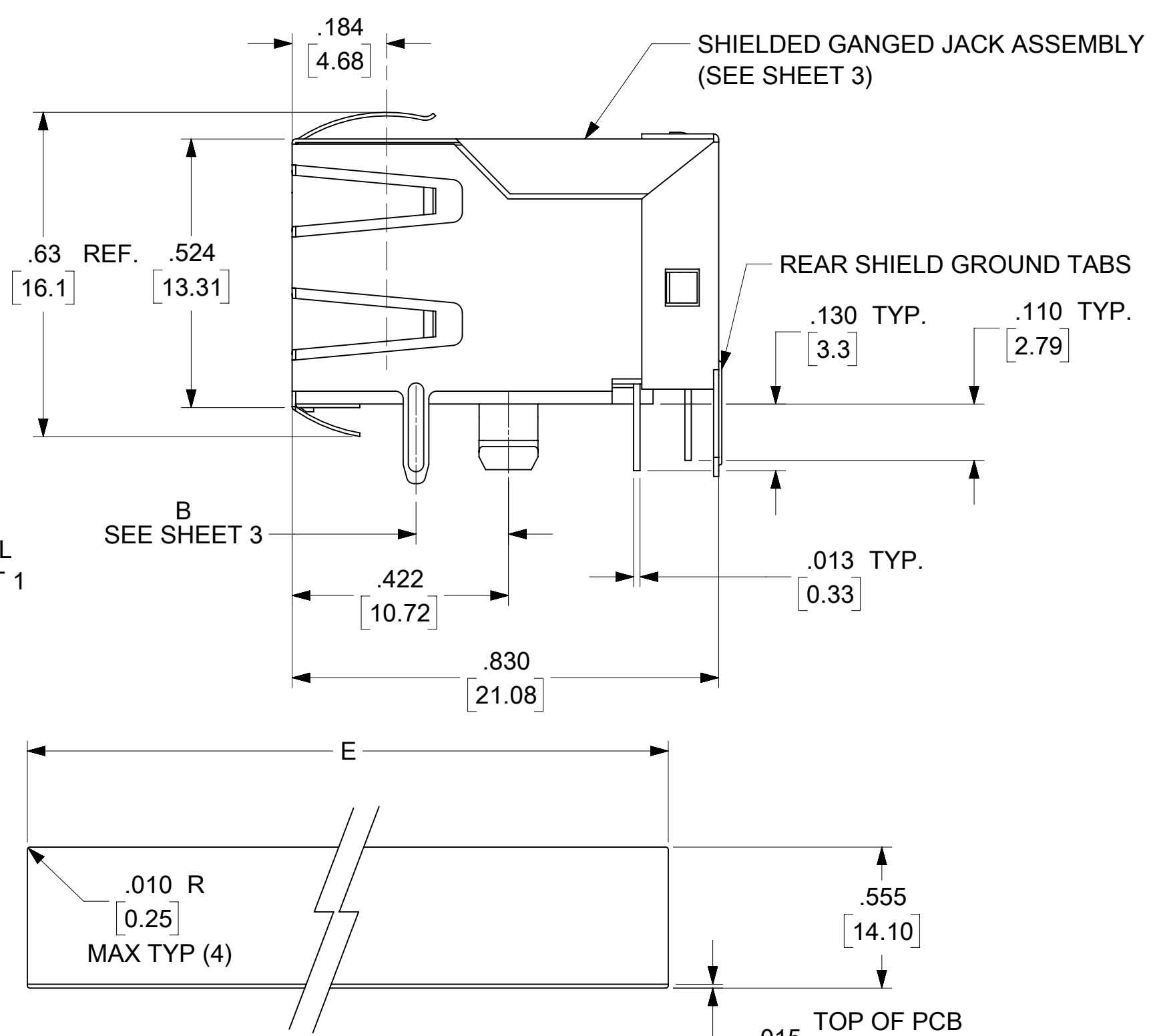
| CIRCUIT SIZE | NO. OF PORTS | DIM. A | DIM. C | DIM. D |
|--------------|--------------|----------------|--------------|----------------|
| 10 | 2 | 1.200 (30.48) | .450 (11.43) | 1.000 (25.40) |
| 8 | 2 | 1.200 (30.48) | .350 (8.89) | 1.000 (25.40) |
| 6 | 2 | 1.200 (30.48) | .250 (6.35) | 1.000 (25.40) |
| 10 | 3 | 1.750 (44.45) | .450 (11.43) | 1.550 (39.37) |
| 8 | 3 | 1.750 (44.45) | .350 (8.89) | 1.550 (39.37) |
| 6 | 3 | 1.750 (44.45) | .250 (6.35) | 1.550 (39.37) |
| 4 | 3 | 1.750 (44.45) | .150 (3.81) | 1.550 (39.37) |
| 10 | 4 | 2.300 (58.42) | .450 (11.43) | 2.100 (53.34) |
| 8 | 4 | 2.300 (58.42) | .350 (8.89) | 2.100 (53.34) |
| 4 | 4 | 2.300 (58.42) | .150 (3.81) | 2.100 (53.34) |
| 4 | 5 | 2.850 (72.39) | .150 (3.81) | 2.650 (67.31) |
| 10 | 5 | 2.850 (72.39) | .450 (11.43) | 2.650 (67.31) |
| 8 | 5 | 2.850 (72.39) | .350 (8.89) | 2.650 (67.31) |
| 10 | 6 | 3.400 (86.36) | .450 (11.43) | 3.200 (81.28) |
| 8 | 6 | 3.400 (86.36) | .350 (8.89) | 3.200 (81.28) |
| 10 | 8 | 4.500 (114.30) | .450 (11.43) | 4.300 (109.22) |
| 8 | 8 | 4.500 (114.30) | .350 (8.89) | 4.300 (109.22) |

THIS DRAWING CONTAINS INFORMATION THAT IS PROPRIETARY TO MOLEX ELECTRONIC TECHNOLOGIES, LLC AND SHOULD NOT BE USED WITHOUT WRITTEN PERMISSION

| | | | | | |
|--|------------------------|---|---|-----------------|----------------|
| DIMENSION UNITS | SCALE | CURRENT REV DESC: REMOVED OBSOLETE PART NUMBER AS PER PCN#509457. | molex | | |
| IN/MM | 3:1 | | | | |
| GENERAL TOLERANCES (UNLESS SPECIFIED) | | | LOW PROFILE GANGED, RIGHT ANGLE MODULAR JACK ASSEMBLY | | |
| 4 PLACES | ± | ± | EC NO: 680890 | 2021/06/18 | |
| 3 PLACES | ± | ± 0.015 | DRWN: SANTHN | 2021/11/25 | |
| 2 PLACES | ± | 0.38 | CHK'D: GGA | 2021/11/25 | |
| 1 PLACE | ± | ± | APPR: GGA | 2021/11/25 | |
| 0 PLACES | ± | ± | INITIAL REVISION: | | |
| ANGULAR TOL | ± | 0.5° | DRWN: JTR | 1993/10/18 | |
| DRAFT WHERE APPLICABLE MUST REMAIN WITHIN DIMENSIONS | THIRD ANGLE PROJECTION | DRAWING | APPR: RAS | 1993/10/18 | |
| | | C-SIZE | SERIES | MATERIAL NUMBER | CUSTOMER |
| | | | 43223 | SEE SHT 3 | GENERAL MARKET |
| DOCUMENT STATUS | | | DOC TYPE | DOC PART | REVISION |
| P1 | RELEASE DATE | 2021/11/25 12:19:21 | PSD | 001 | L |
| DOCUMENT NUMBER | | | SHEET NUMBER | | |
| SDA-43223 | | | 1 OF 6 | | |

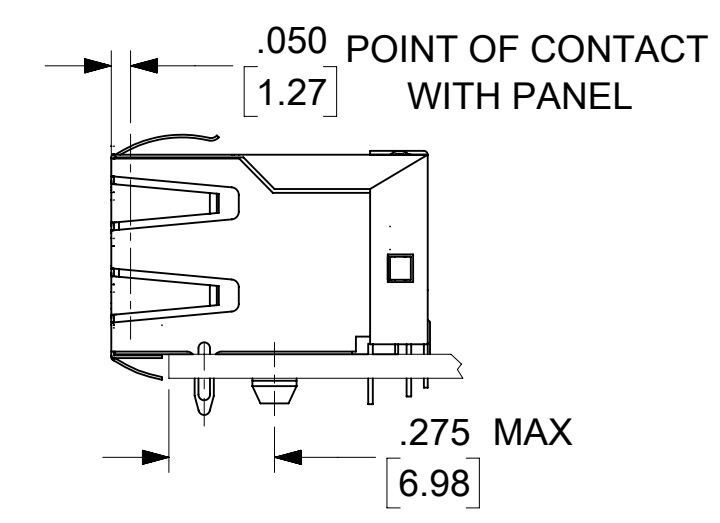


PEG DETAIL
SEE SHEET 1



SUGGESTED PANEL OPENING

SCALE : 2/1



**4 PORT 8 LOADED
8 JACK SHOWN**

- NOTES:
- MATERIAL:**
HOUSING: GLASS FILLED NYLON, UL94V-0, COLOR: BLACK
INSULATOR: GLASS FILLED NYLON, UL94V-0, COLOR: BLACK
TERMINALS: PHOSPHOR BRONZE: .012/ 0.30 THICK
SHIELD: BRASS, FRONT .007/ 0.18 THICK, REAR .010/ 0.25 THICK
 - FINISH:**
TERMINALS:
SELECT GOLD IN CONTACT AREA: 50 MICRONS/ 1.27 MICROMETERS MIN.,
*SELECT TIN IN PC TAIL AREA: 100 MICRONS/ 2.54 MICROMETERS MIN.,
WITH OVERALL NICKEL UNDERPLATE: 50 MICRONS/ 1.27 MICROMETERS MIN.
SHIELD:
*100 MICRONS/ 2.54 MICROMETERS NICKEL OVER 50 MICRONS/ 1.27 MICROMETERS COPPER UNDERPLATE. PCB GROUND TABS DIPPED IN TIN
*THE PRIMARY SHIPPING CARTON WILL BE LABELED "COMPLIANT TO RoHS DIRECTIVE 2002/95/EC AND ELV ANNEX II OF DIRECTIVE 2000/53/EC".
CARTONS WITHOUT THIS LABEL MAY CONTAIN PRODUCT WITH TIN-LEAD IN THE PC TAIL AND/OR SHIELD.
 - PRODUCT SPECIFICATION AND PROCESSING PARAMETERS:** PS-43223-001.
 - PACKAGING SPECIFICATION:**
SHIELDED CONNECTOR ASSEMBLIES PACKAGED IN TRAYS PER MOLEX PACKAGING SPECIFICATION PK-44150-004.
 - SEE SHEETS 4-6 FOR P.C. BOARD LAYOUTS.
 - REAR SHIELD IS AVAILABLE WITH (1) CENTERED GROUND TAB ON 4 & 8 PORT VERSIONS.
 - 8 CIRCUIT JACKS CENTERLINE TO CENTERLINE SPACING IS .550/ 13.97.
 - ALL UNTOLERANCED DIMENSIONS ARE SHOWN FOR REFERENCE ONLY.
 - THIS PART CONFORMS TO CLASS B REQUIREMENTS OF COSMETIC SPECIFICATION PS-45499-002.

| HOUSING SIZE | CIRCUIT SIZE | NO. OF PORTS | DIM. A | DIM. C | DIM. D | DIM. E |
|--------------|--------------|--------------|-------------------|----------------|-------------------|-------------------|
| 8 | 8 | 2 | 1.224 (31.09) | .350 (8.89) | 1.000 (25.40) | 1.255 (31.88) |
| 8 | 8 | 4 | 2.324 (59.03) | .350 (8.89) | 2.100 (53.34) | 2.355 (59.82) |
| 8 | 8 | 6 | 3.424 (86.97) | .350 (8.89) | 3.200 (81.28) | 3.455 (87.76) |
| 8 | 8 | 8 | 4.524 (114.91) | .350 (8.89) | 4.300 (109.22) | 4.555 (115.97) |
| 8 | 2 | 8 | 4.524 (114.91) | .050 (1.27) | 4.300 (109.22) | 4.555 (115.97) |

THIS DRAWING CONTAINS INFORMATION THAT IS PROPRIETARY TO MOLEX ELECTRONIC TECHNOLOGIES, LLC AND SHOULD NOT BE USED WITHOUT WRITTEN PERMISSION

| | | | | | |
|--|------------------------|---|--------------------------|----------------|----------|
| DIMENSION UNITS IN/MM | SCALE 4:1 | CURRENT REV DESC: REMOVED OBSOLETE PART NUMBER AS PER PCN#509457. | molex | | |
| GENERAL TOLERANCES (UNLESS SPECIFIED) | | EC NO: 680890 | | | |
| 4 PLACES ± | ± | DRWN: SANTHN | PRODUCT CUSTOMER DRAWING | | |
| 3 PLACES ± | ± 0.015 | CHK'D: GGA | DOCUMENT NUMBER | DOC TYPE | DOC PART |
| 2 PLACES ± | ± 0.38 | APPR: GGA | SDA-43223 | PSD | 001 |
| 1 PLACE ± | ± | INITIAL REVISION: | SHEET NUMBER | 2 OF 6 | |
| 0 PLACES ± | ± | DRWN: JTR | MATERIAL NUMBER | CUSTOMER | |
| ANGULAR TOL ± 0.5° | | APPR: RAS | SEE SHT 3 | GENERAL MARKET | |
| DRAFT WHERE APPLICABLE MUST REMAIN WITHIN DIMENSIONS | THIRD ANGLE PROJECTION | DRAWING | 3 | | |
| | | SERIES | 43223 | | |

FLANGELESS (SHIELDED)

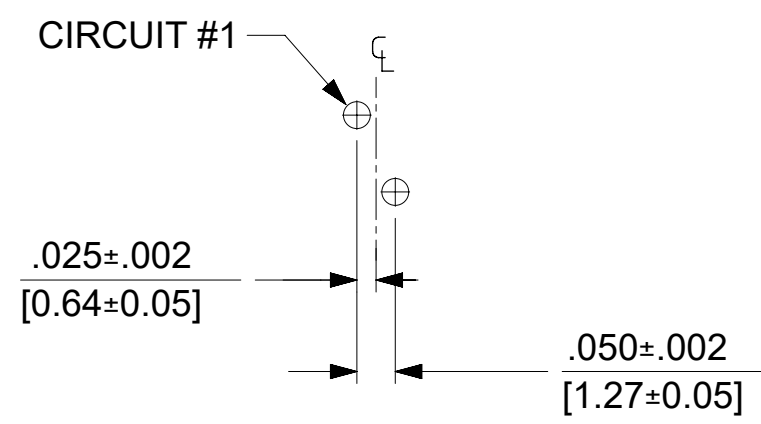
| ASSEMBLY NUMBER | DIMENSION "B" | CONNECTOR SIZE | NUMBER OF CIRCUITS | NUMBER OF PORTS | NUMBER OF REAR SHIELD GROUND TABS | PACKAGING STYLE | PACKAGING SPECIFICATION |
|-----------------|---------------|----------------|--------------------|-----------------|-----------------------------------|-----------------|-------------------------|
| 43223-8128 | .180 | 8 | 8 | 2 | 1 | TRAY | PK-44150-004 |
| 43223-8146 | .180 | 8 | 8 | 4 | 3 | ↑ | ↑ |
| 43223-8164 | .180 | 8 | 8 | 6 | 5 | ↑ | ↑ |
| 43223-8182 | .180 | 8 | 8 | 8 | 7 | ↓ | ↓ |
| 43223-8185 | .180 | 8 | 8 | 8 | 1 | ↓ | ↓ |
| 43223-8194 | .180 | 8 | 2 | 8 | 7 | TRAY | PK-44150-004 |
| | | | | | | | |
| 43223-8307 | .145 | 8 | 2 | 8 | 7 | TRAY | PK-44150-004 |

FLANGELESS (UNSHIELDED)

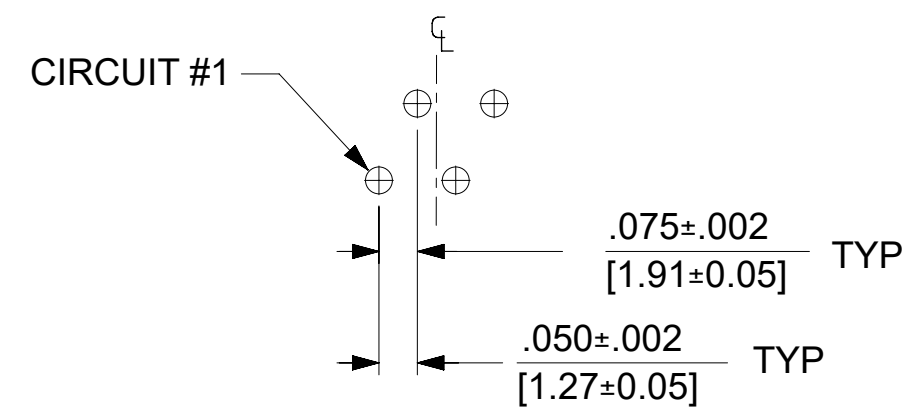
| ASSEMBLY NUMBER | CONNECTOR SIZE | NUMBER OF CIRCUITS | NUMBER OF PORTS | PACKAGING STYLE | PACKAGING SPECIFICATION |
|-----------------|----------------|--------------------|-----------------|-----------------|-------------------------|
| 43223-6101 | 6 | 6 | 2 | TRAY | PK-43249-004 |
| 43223-6107 | 6 | 6 | 4 | ↑ | ↑ |
| 43223-6113 | 6 | 6 | 6 | ↑ | ↑ |
| 43223-6122 | 6 | 4 | 2 | | |
| 43223-6128 | 6 | 4 | 4 | | |
| 43223-6140 | 6 | 4 | 8 | | |
| 43223-6155 | 6 | 2 | 6 | ↓ | ↓ |
| 43223-6158 | 6 | 2 | 8 | TRAY | PK-43249-004 |
| | | | | | |
| 43223-8122 | 8 | 8 | 2 | TRAY | PK-43249-004 |
| 43223-8140 | 8 | 8 | 4 | ↑ | ↑ |
| 43223-8158 | 8 | 8 | 6 | ↓ | ↓ |
| 43223-8176 | 8 | 8 | 8 | TRAY | PK-43249-004 |

SNAP FIT PEG VERSIONS

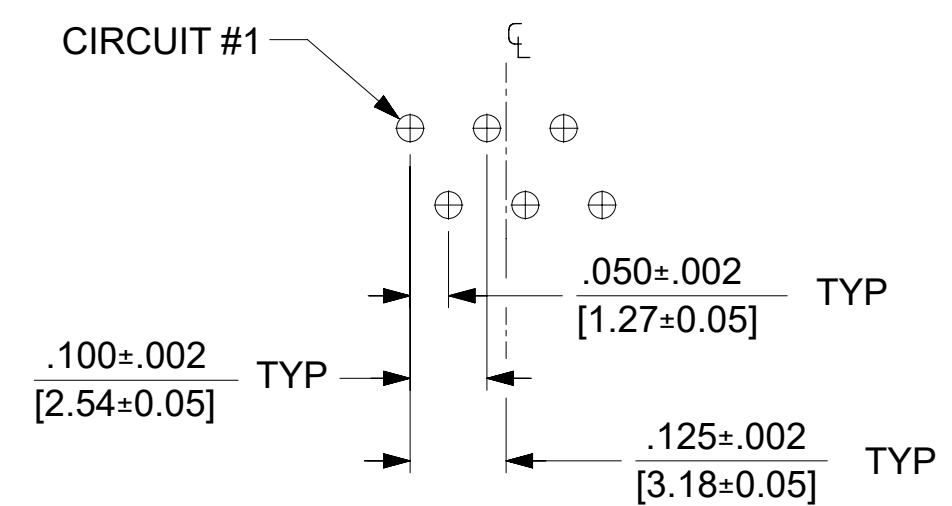
| | | | | | | | | | | | | | | | |
|---|-------|--|---|------------------------|-------|-----------------|--------|--|------|-----------------|--|--|----------------|----------|----------|
| THIS DRAWING CONTAINS INFORMATION THAT IS PROPRIETARY TO MOLEX ELECTRONIC TECHNOLOGIES, LLC AND SHOULD NOT BE USED WITHOUT WRITTEN PERMISSION | | | | | | | | | | | | | | | |
| DIMENSION UNITS | SCALE | CURRENT REV DESC: REMOVED OBSOLETE PART NUMBER AS PER PCN#509457. | | | | | | molex | | | | | | | |
| IN/MM | 2:1 | EC NO: 680890 DRWN: SANTHN 2021/06/18 CHK'D: GGA 2021/11/25 APPR: GGA 2021/11/25 INITIAL REVISION: DRWN: JTR 1993/10/18 APPR: RAS 1993/10/18 | | | | | | LOW PROFILE GANGED, RIGHT ANGLE MODULAR JACK ASSEMBLY | | | | | | | |
| GENERAL TOLERANCES (UNLESS SPECIFIED) | | | | | | | | PRODUCT CUSTOMER DRAWING | | | | | | | |
| 4 PLACES | ± | | | | | | | MM | INCH | DOCUMENT NUMBER | | | DOC TYPE | DOC PART | REVISION |
| 3 PLACES | ± | | | | | | | 0.38 | ± | SDA-43223 | | | PSD | 001 | L |
| 2 PLACES | ± | | | | | | | 0.38 | ± | MATERIAL NUMBER | | | CUSTOMER | | |
| 1 PLACE | ± | | | | | | | 0.38 | ± | SEE SHT 3 | | | GENERAL MARKET | | |
| 0 PLACES | ± | 0.38 | ± | SHEET NUMBER | | | 3 OF 6 | | | | | | | | |
| ANGULAR TOL | ± | 0.5 ° | | THIRD ANGLE PROJECTION | | DRAWING | SERIES | SHEET NUMBER | | | | | | | |
| DRAFT WHERE APPLICABLE MUST REMAIN WITHIN DIMENSIONS | | | | C-SIZE | 43223 | MATERIAL NUMBER | | CUSTOMER | | | | | | | |
| DRAFT WHERE APPLICABLE MUST REMAIN WITHIN DIMENSIONS | | | | C-SIZE | 43223 | MATERIAL NUMBER | | CUSTOMER | | | | | | | |



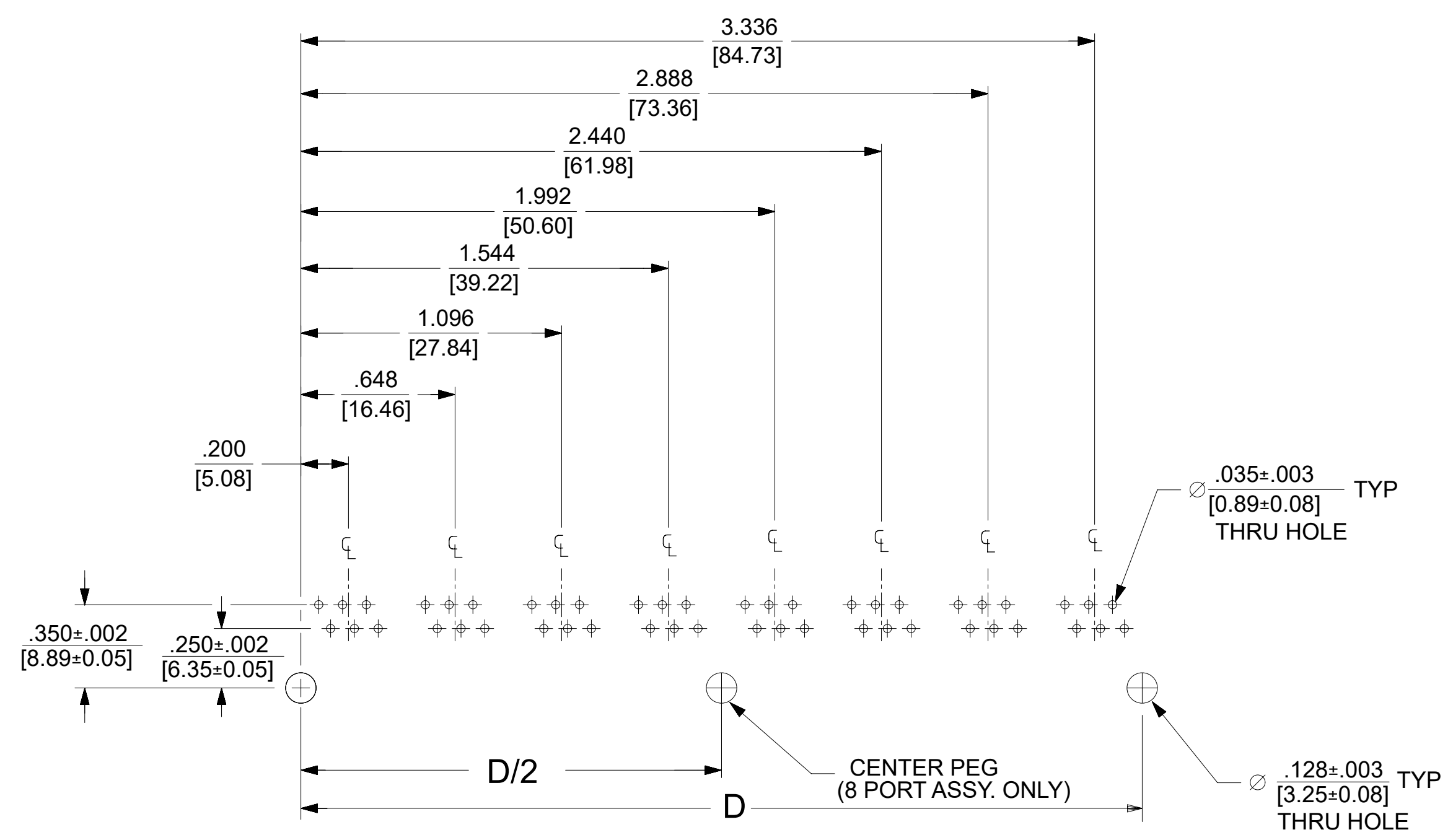
6 LOADED 2 DETAIL
SCALE: 4/1



6 LOADED 4 DETAIL
SCALE: 4/1



6 LOADED 6 DETAIL
SCALE: 4/1



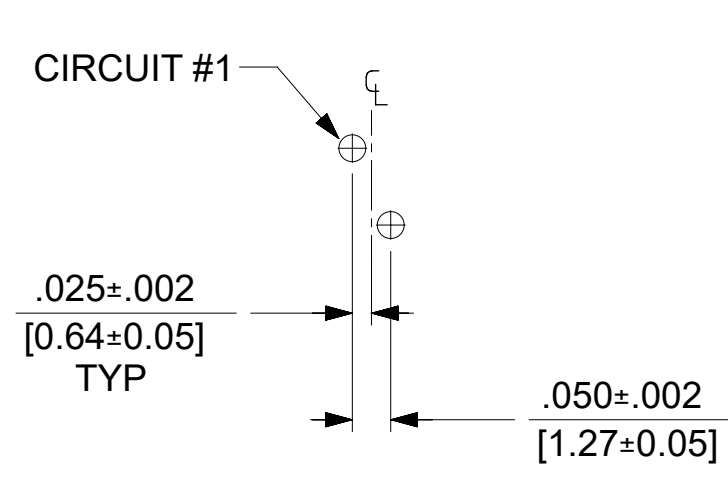
SUGGESTED P.C. BOARD LAYOUT
COMPONENT SIDE OF BOARD
8 PORT, 6 LOADED 6, LAYOUT SHOWN
(SNAP-FIT VERSIONS)

NOTES:
1. RECOMMENDED PCB THICKNESS: .062±.005/(1.57±0.13)

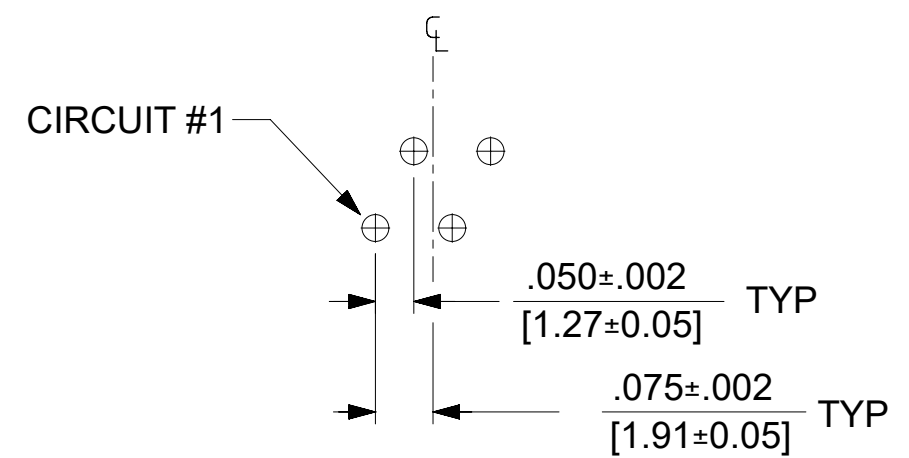
| NUMBER OF PORTS | DIM. D |
|-----------------|------------------|
| 2 | .848 (21.54) |
| 3 | 1.296 (32.92) |
| 4 | 1.744 (44.30) |
| 5 | 2.192 (55.68) |
| 6 | 2.640 (67.06) |
| 8 | 3.536 (89.81) |

THIS DRAWING CONTAINS INFORMATION THAT IS PROPRIETARY TO MOLEX ELECTRONIC TECHNOLOGIES, LLC AND SHOULD NOT BE USED WITHOUT WRITTEN PERMISSION

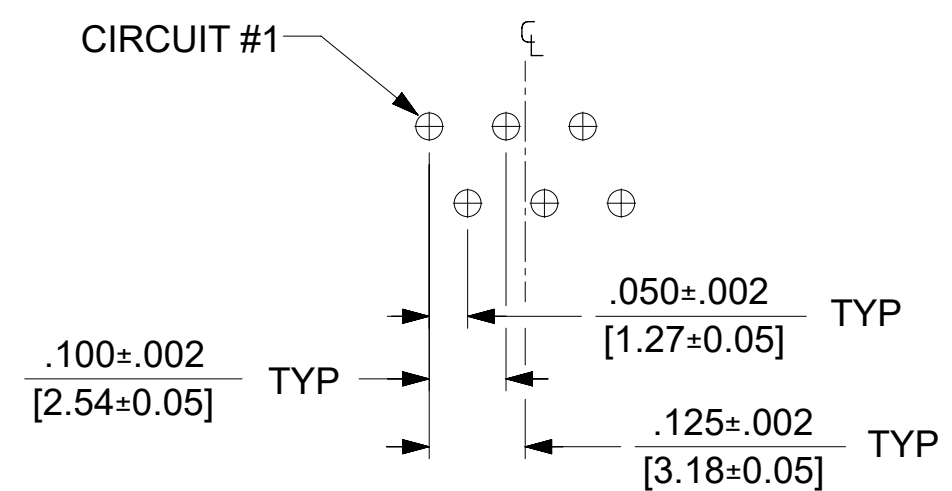
| | | | | | |
|--|------------------------|---|---|--------------------------|-----------------|
| DIMENSION UNITS | SCALE | CURRENT REV DESC: REMOVED OBSOLETE PART NUMBER AS PER PCN#509457. | molex | | |
| IN/MM | 2:1 | | | | |
| GENERAL TOLERANCES (UNLESS SPECIFIED) | | | LOW PROFILE GANGED, RIGHT ANGLE MODULAR JACK ASSEMBLY | | |
| | MM | INCH | EC NO: 680890 | PRODUCT CUSTOMER DRAWING | |
| 4 PLACES | ± | ± | DRWN: SANTHN | 2021/06/18 | DOCUMENT NUMBER |
| 3 PLACES | ± | ± 0.015 | CHK'D: GGA | 2021/11/25 | |
| 2 PLACES | ± 0.38 | ± | APPR: GGA | 2021/11/25 | DOC TYPE |
| 1 PLACE | ± | ± | INITIAL REVISION: | | DOC PART |
| 0 PLACES | ± | ± | DRWN: JTR | 1993/10/18 | REVISION |
| ANGULAR TOL | ± 0.5 ° | | APPR: RAS | 1993/10/18 | PSD 001 L |
| DRAFT WHERE APPLICABLE MUST REMAIN WITHIN DIMENSIONS | THIRD ANGLE PROJECTION | | DRAWING | SERIES | MATERIAL NUMBER |
| | C-SIZE | | 43223 | SEE SHT 3 | CUSTOMER |
| | | | | GENERAL MARKET | SHEET NUMBER |
| | | | | | 4 OF 6 |



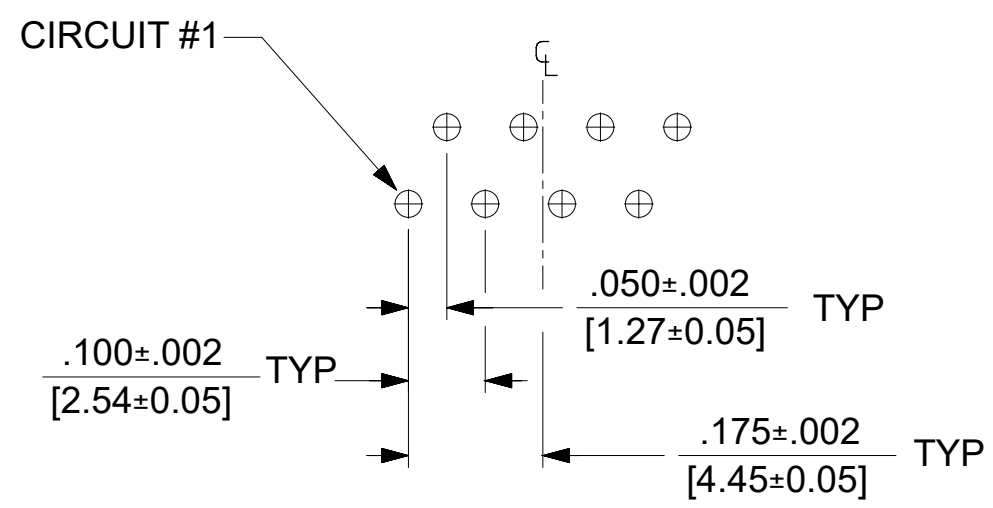
8 LOADED 2 DETAIL
SCALE: 4/1



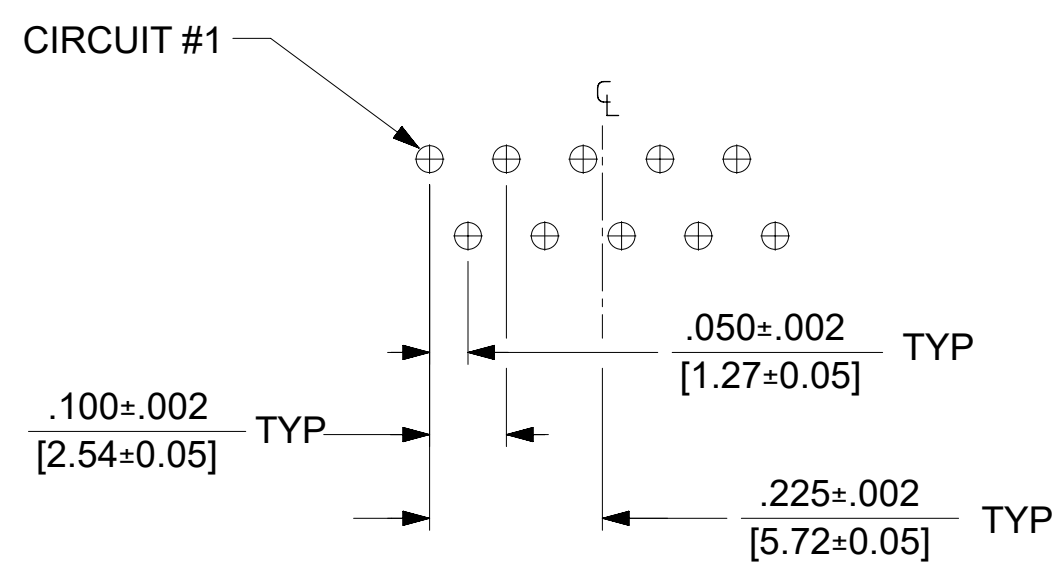
8 LOADED 4 DETAIL
SCALE: 4/1



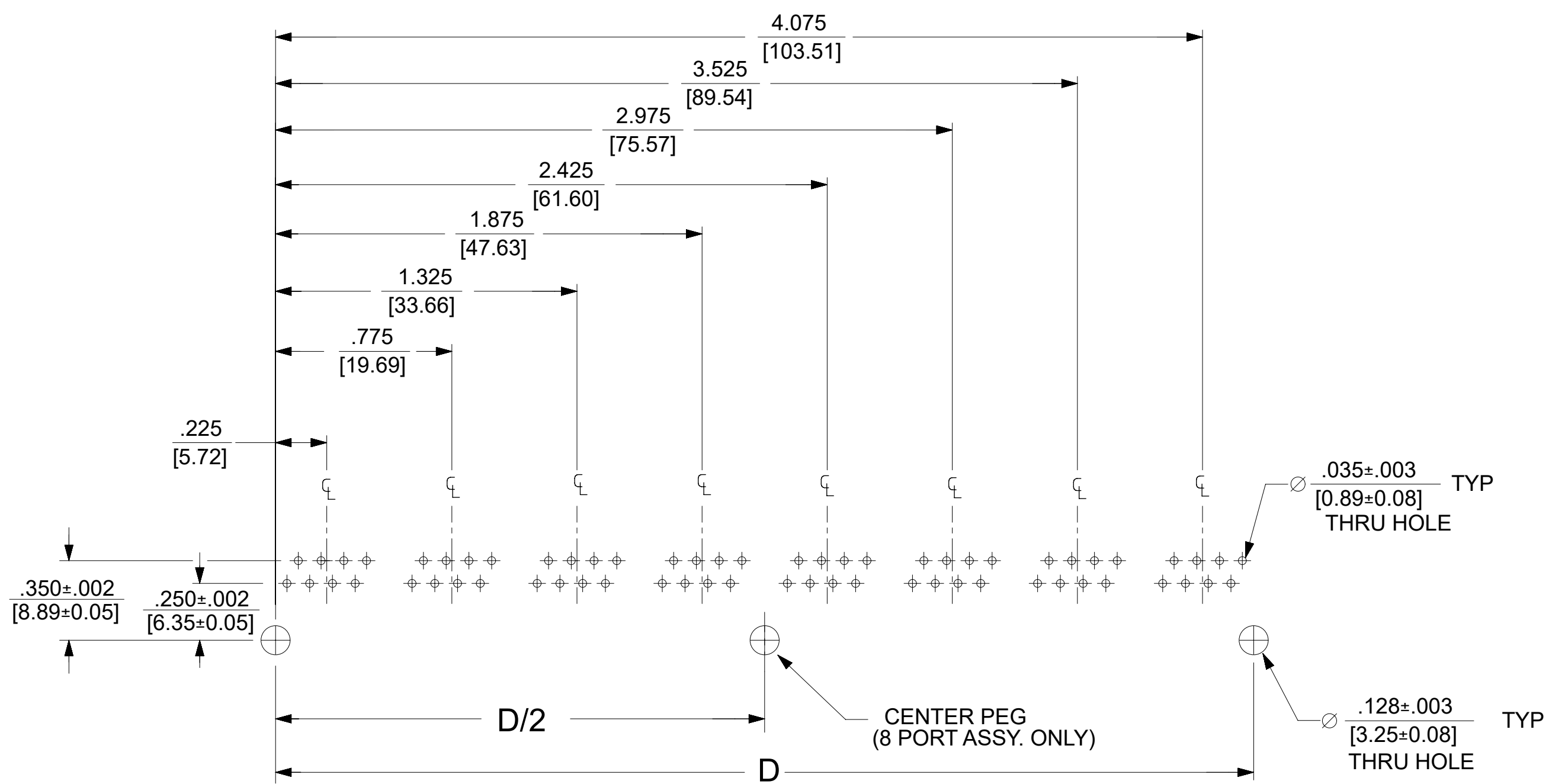
8 LOADED 6 DETAIL
SCALE: 4/1



8 LOADED 8 DETAIL
SCALE: 4/1



8 LOADED 10 DETAIL
SCALE: 4/1



**SUGGESTED P.C. BOARD LAYOUT
COMPONENT SIDE OF BOARD
8 PORT, 8 LOADED 8
(SNAP-FIT VERSIONS)**

NOTES:
1. RECOMMENDED PCB THICKNESS: .062±.005/(1.57±0.13)

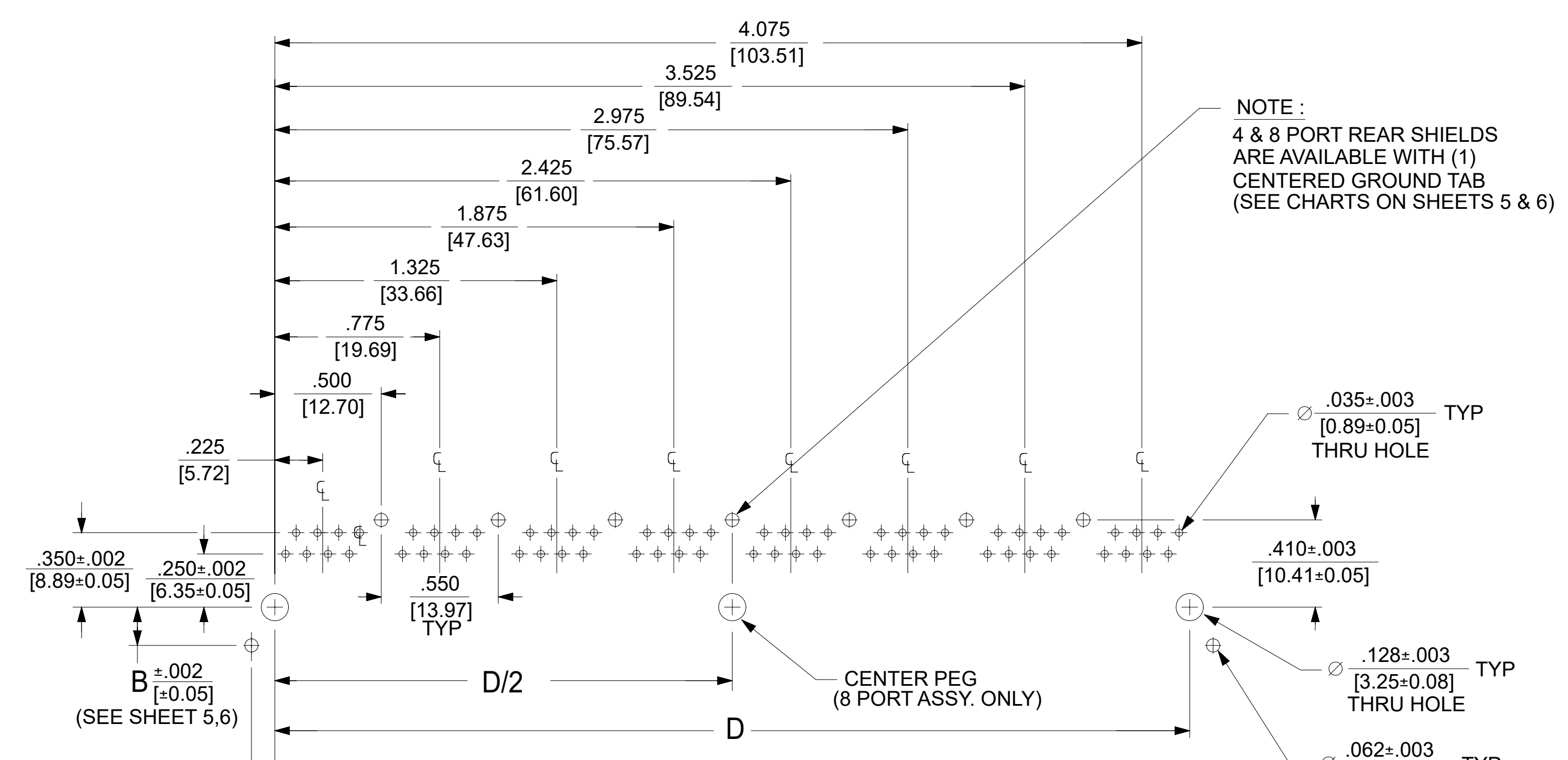
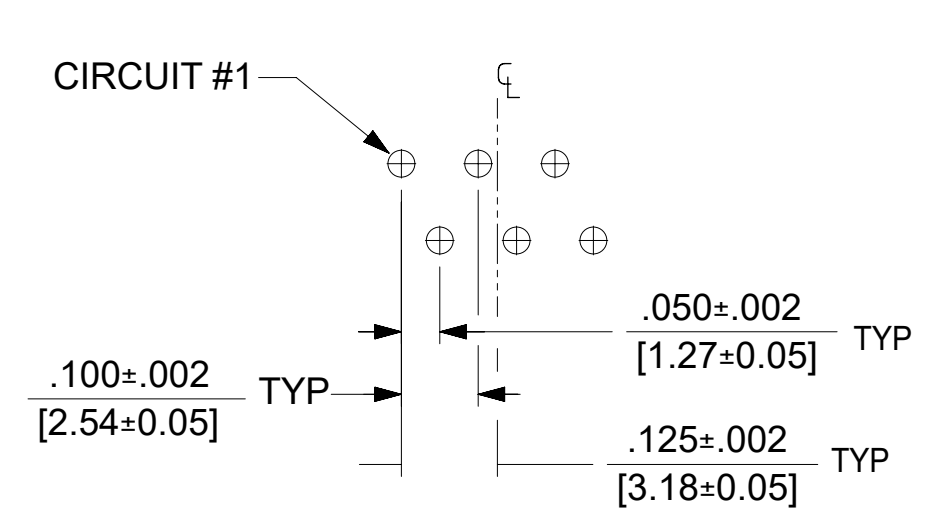
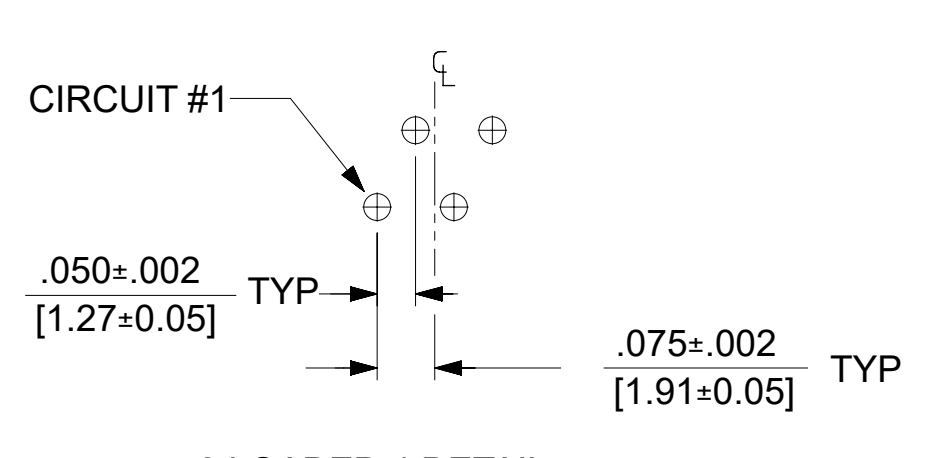
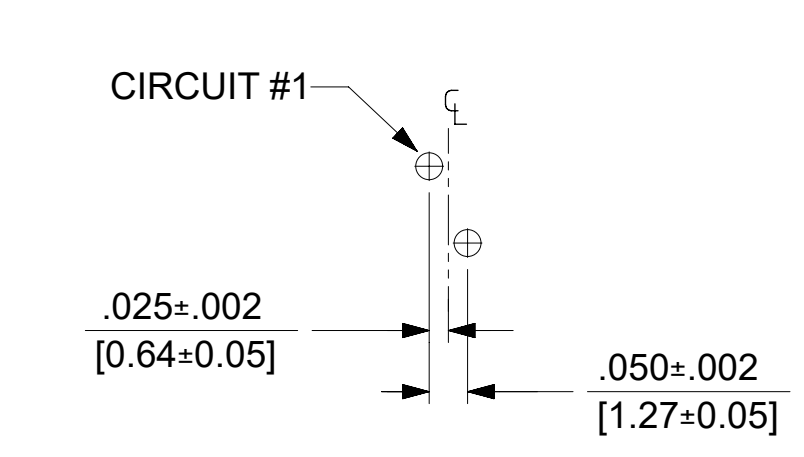
| NUMBER OF PORTS | DIM. D |
|-----------------|----------------|
| 2 | 1.000 (25.40) |
| 3 | 1.550 (39.37) |
| 4 | 2.100 (53.34) |
| 5 | 2.650 (67.31) |
| 6 | 3.200 (81.28) |
| 8 | 4.300 (109.32) |

THIS DRAWING CONTAINS INFORMATION THAT IS PROPRIETARY TO MOLEX ELECTRONIC TECHNOLOGIES, LLC AND SHOULD NOT BE USED WITHOUT WRITTEN PERMISSION

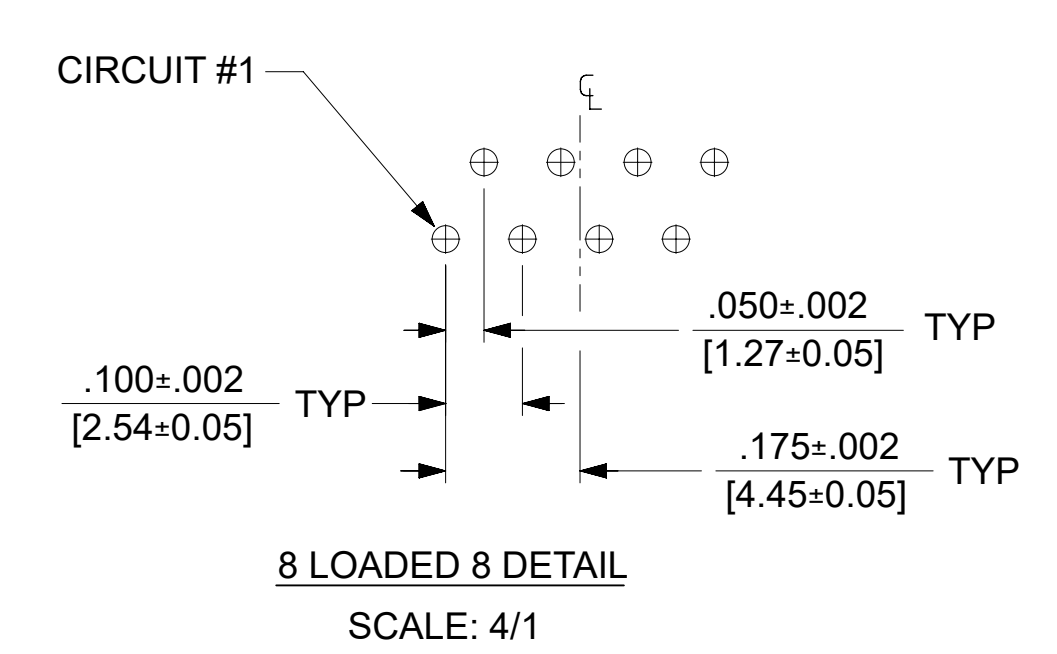
| | | |
|--|------------------------|---|
| DIMENSION UNITS | SCALE | CURRENT REV DESC: REMOVED OBSOLETE PART NUMBER AS PER PCN#509457. |
| IN/MM | 2:1 | |
| GENERAL TOLERANCES (UNLESS SPECIFIED) | | |
| | MM | INCH |
| 4 PLACES | ± | ± |
| 3 PLACES | ± | ± 0.015 |
| 2 PLACES | ± 0.38 | ± |
| 1 PLACE | ± | ± |
| 0 PLACES | ± | ± |
| ANGULAR TOL | ± 0.5 ° | |
| DRAFT WHERE APPLICABLE MUST REMAIN WITHIN DIMENSIONS | THIRD ANGLE PROJECTION | DRAWING SERIES |
| | | C-SIZE 43223 |

| | |
|-------------------|------------|
| EC NO: 680890 | 2021/06/18 |
| DRWN: SANTHN | 2021/11/25 |
| CHK'D: GGA | 2021/11/25 |
| APPR: GGA | 2021/11/25 |
| INITIAL REVISION: | |
| DRWN: JTR | 1993/10/18 |
| APPR: RAS | 1993/10/18 |

| | | | |
|-----------------|----------------|--------------|----------|
| DOCUMENT NUMBER | DOC TYPE | DOC PART | REVISION |
| SDA-43223 | PSD | 001 | L |
| MATERIAL NUMBER | CUSTOMER | SHEET NUMBER | |
| SEE SHT 3 | GENERAL MARKET | 5 OF 6 | |



**SUGGESTED P.C. BOARD LAYOUT
COMPONENT SIDE OF BOARD
8 PORT, 8 LOADED 8
(SHIELDED) LAYOUT SHOWN
(SNAP-FIT VERSIONS)**



NOTES:
1. RECOMMENDED PCB THICKNESS: .062±.005/(1.57±0.13)

| NUMBER OF PORTS | DIM. D |
|-----------------|----------------|
| 2 | 1.000 (25.40) |
| 4 | 2.100 (53.34) |
| 6 | 3.200 (81.28) |
| 8 | 4.300 (109.32) |

| | | | | | | | | | |
|---|--|---------------------|--|---|--|---------|--|-------------------------|--|
| THIS DRAWING CONTAINS INFORMATION THAT IS PROPRIETARY TO MOLEX ELECTRONIC TECHNOLOGIES, LLC AND SHOULD NOT BE USED WITHOUT WRITTEN PERMISSION | | | | | | | | | |
| DIMENSION UNITS IN/MM | | SCALE 2:1 | | CURRENT REV DESC: REMOVED OBSOLETE PART NUMBER AS PER PCN#509457. | | | | | |
| GENERAL TOLERANCES (UNLESS SPECIFIED) | | | | MM | | INCH | | EC NO: 680890 | |
| 4 PLACES | | ± | | ± | | ± | | DRWN: SANTHN 2021/06/18 | |
| 3 PLACES | | ± | | ± | | ± 0.015 | | CHK'D: GGA 2021/11/25 | |
| 2 PLACES | | ± | | 0.38 | | ± | | APPR: GGA 2021/11/25 | |
| 1 PLACE | | ± | | ± | | ± | | INITIAL REVISION: | |
| 0 PLACES | | ± | | ± | | ± | | DRWN: JTR 1993/10/18 | |
| ANGULAR TOL | | ± | | 0.5 ° | | ± | | APPR: RAS 1993/10/18 | |
| DRAFT WHERE APPLICABLE MUST REMAIN WITHIN DIMENSIONS | | | | THIRD ANGLE PROJECTION | | DRAWING | | SERIES | |
| | | | | C-SIZE | | 43223 | | MATERIAL NUMBER | |
| | | | | | | | | CUSTOMER | |
| | | | | | | | | SHEET NUMBER | |
| | | | | | | | | 6 OF 6 | |

molex

LOW PROFILE GANGED,
RIGHT ANGLE MODULAR JACK ASSEMBLY

PRODUCT CUSTOMER DRAWING

DOCUMENT NUMBER: **SDA-43223**

DOC TYPE: PSD

DOC PART: 001

REVISION: L

CUSTOMER: GENERAL MARKET