

圧着仕様書 CRIMPING SPECIFICATION

製品名
PRODUCT NAME 4.0 WIRE TO WIRE CRIMP RECEPTACLE

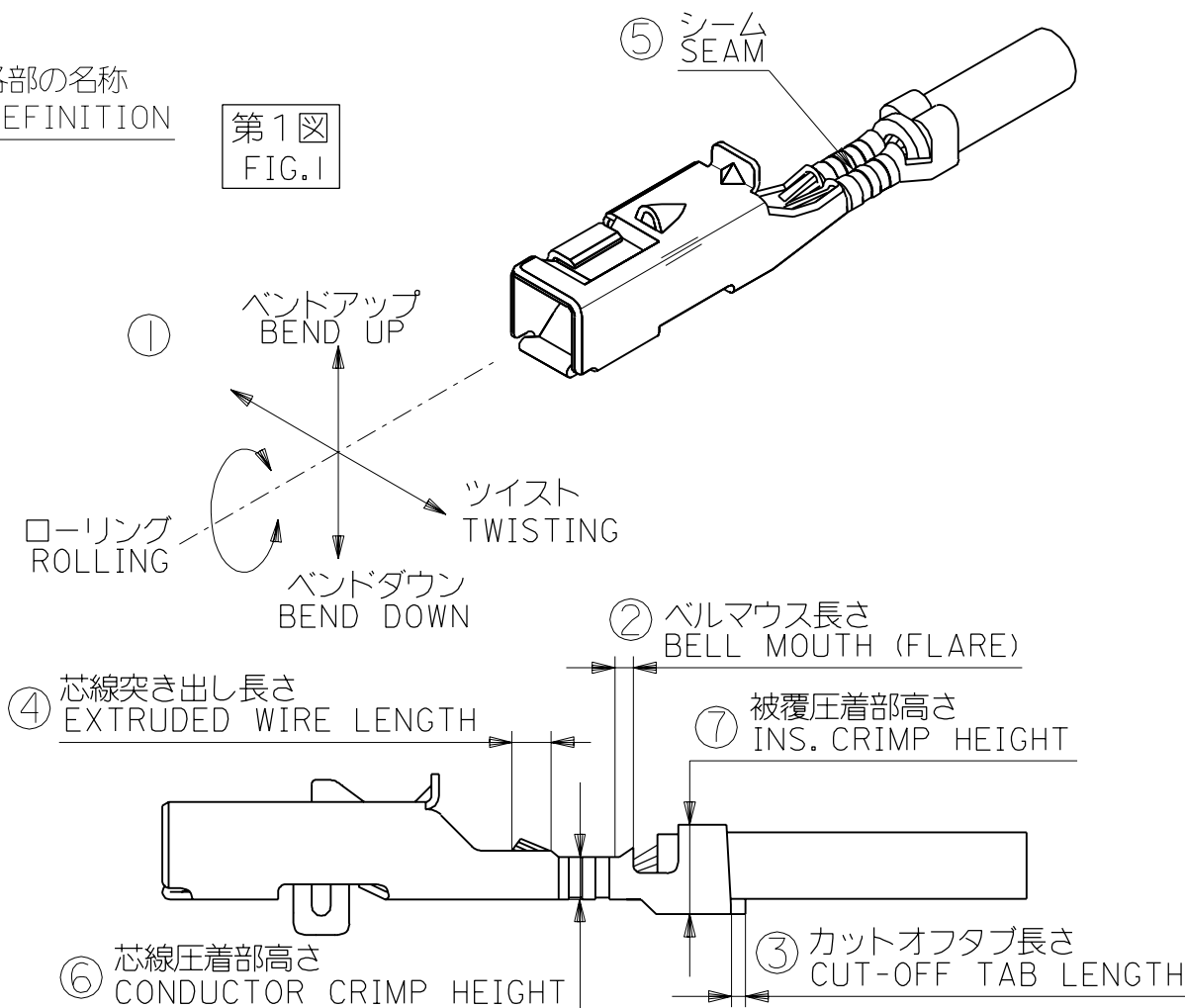
1. 適用範囲 SCOPE

本仕様書は下記のターミナルの圧着に伴う諸元について規定する。
THIS STANDARD SPECIFIES THE DIMENSIONS AFTER CRIMPING OF THE TERMINALS UNDERMENTIONED.

ターミナル番号 PARTS NO.	適用電線範囲 WIRE SIZE		絶縁被覆外径 INSULATION DIA.
	—+—		
		mm ²	
50420-8*00	AVS-0.3, AVS-0.3f		0.37
	AVS-0.5, AVS-0.5f, AVSS-0.5		0.56
	AVSS-0.5f, CAVS-0.5		
	AVS-0.75f, AVSS-0.75f		0.79
	AVS-0.85, AVSS-0.85, CAVS-0.85		0.88

2. 各部の名称 DEFINITION

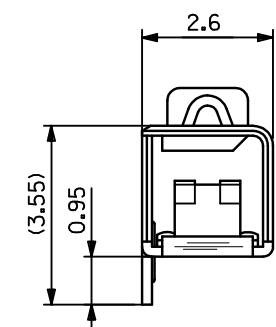
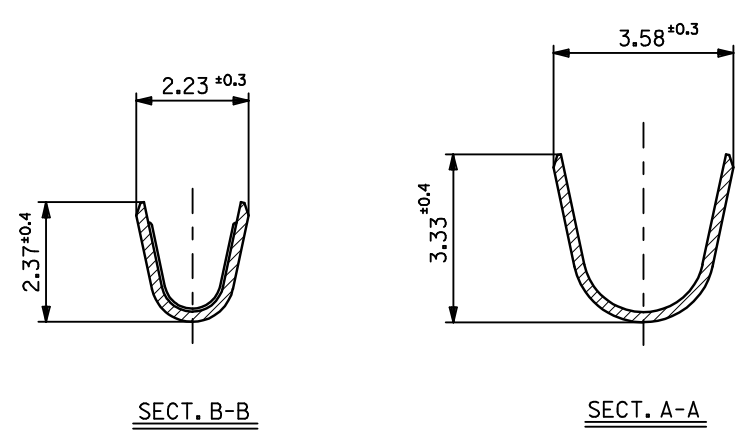
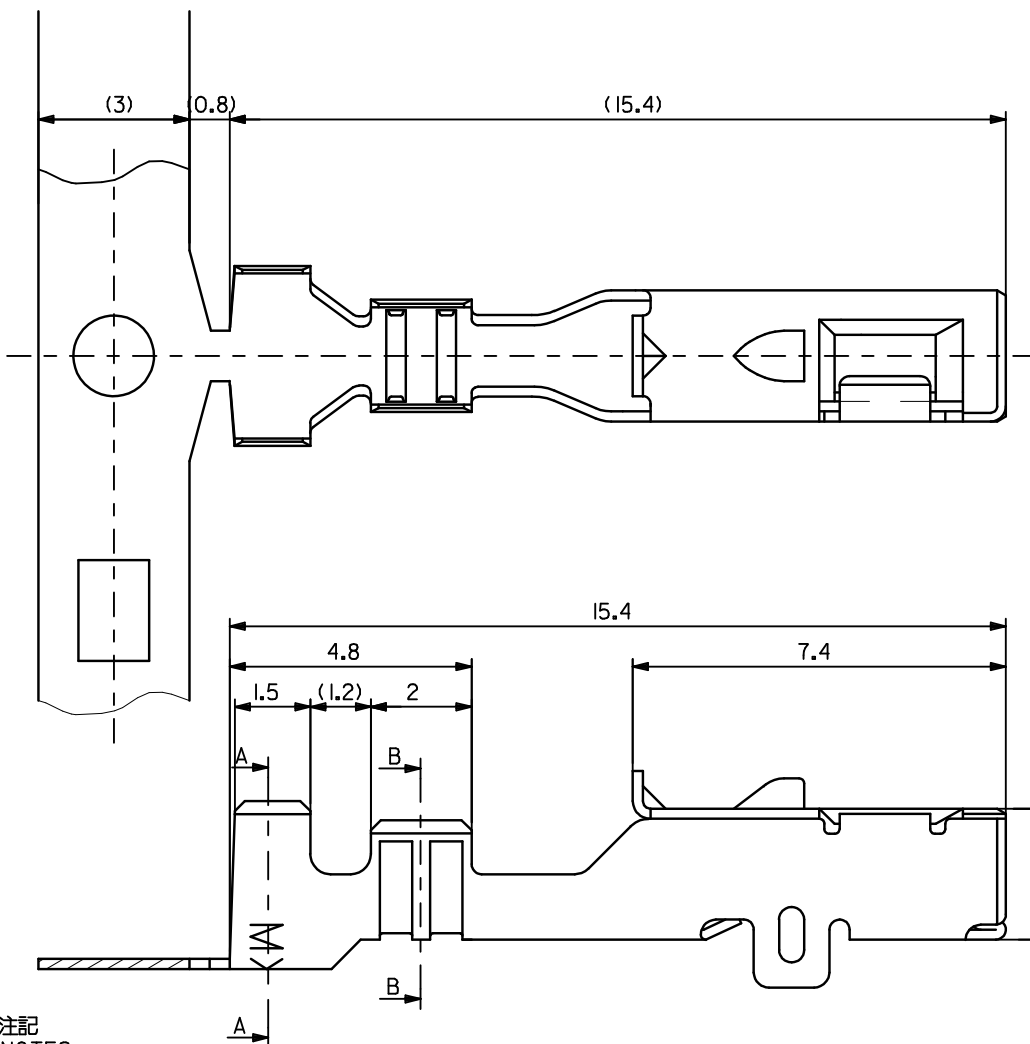
第1図
FIG.1



				作成 (PREPARED BY) '94/6/9 K.FURUYAMA '94/6/9 T.ONO	MOLEX-JAPAN CO.,LTD. 日本モレックス株式会社		
A	変更 REVISED	(J45187)	'94/6/30	K.F	確認 (CHECKED BY) '94/6/30 M.SANO, M.SAKANO '94/6/30 N.ASAOKA	名称 (NAME) 4.0 WIRE TO WIRE CRIMP RECEPTACLE 圧着仕様書	PAGE 1
O	新規作成 PROPOSED	(J45156)	'94/5/30	K.F	承認 (APPROVED BY) '94/6/30 M.ENOMOTO	規格番号 (NO.) CS-50420	REV. A
記号 (LTR) 変更内容 (REVISIONS) 日付 (DATE) 担当 (NAME)				REVISIONS			
REVISIONS				M.ENOMOTO			



10 9 8 7 6 5 4 3 2 1



注記
NOTES

- 適合ハウジング: 51115-1601, 51116-1601
APPLICABLE HOUSING: 51115-1601, 51116-1601
- 材料: リン青銅, 錫メッキ材 (t=0.2)
MATERIAL: PRE-TINNED PHOSPHOR BRONZE (t=0.2)
- 適用電線: APPLICABLE WIRE RANGE
AVS-0.3, AVS-0.3f, AVS-0.5, AVS-0.5f, AVSS-0.5
AVSS-0.5f, CAVS-0.5, AVS-0.75f, AVSS-0.75f
AVS-0.85, AVSS-0.85, CAVS-0.85
- 被覆外径: INS. RANGE $\phi 1.6 \sim 2.3$

50420-8000	連鎖状 CHAIN
ENG. NO.	端子形状 FORM

THIRD ANGLE PROJECTION

REVISED EC NO: JTR2017-0015 DRWN: YFUSHIMI 2016/10/24 CHKD: TAITO 2016/10/25 APPR: MAYAMOTO 2016/10/25	QUALITY SYMBOLS	GENERAL TOLERANCES (UNLESS SPECIFIED)	DIMENSION STYLE	SCALE	DESIGN UNITS	TITLE 4.0 W/W CRIMP REC (SAE J1962 DIAGNOSTIC CONNECTOR) molex DOCUMENT NO. SD-50420-8*00	SHEET NO. 1 OF 1	
	$\nabla_A = 0$ $\nabla_G = 0$ $\nabla_P = 0$	10 UNDER	± 0.2	MM ONLY	10:1			METRIC
		10 OVER 30 UNDER	± 0.25	DRAWN BY K. FURUYAMA DATE 1994/03/03	CHECKED BY M. SANO DATE 1994/06/30			APPROVED BY M. ENOMOTO DATE 1994/06/30
		30 OVER	± 0.3					
ANGULAR	± 3 °	SEE CHART	MATERIAL NO.					
		DRAFT WHERE APPLICABLE MUST REMAIN WITHIN DIMENSIONS	SIZE A3	THIS DRAWING CONTAINS INFORMATION THAT IS PROPRIETARY TO MOLEX INCORPORATED AND SHOULD NOT BE USED WITHOUT WRITTEN PERMISSION				

9 8 7 6 5 4 3 2 1