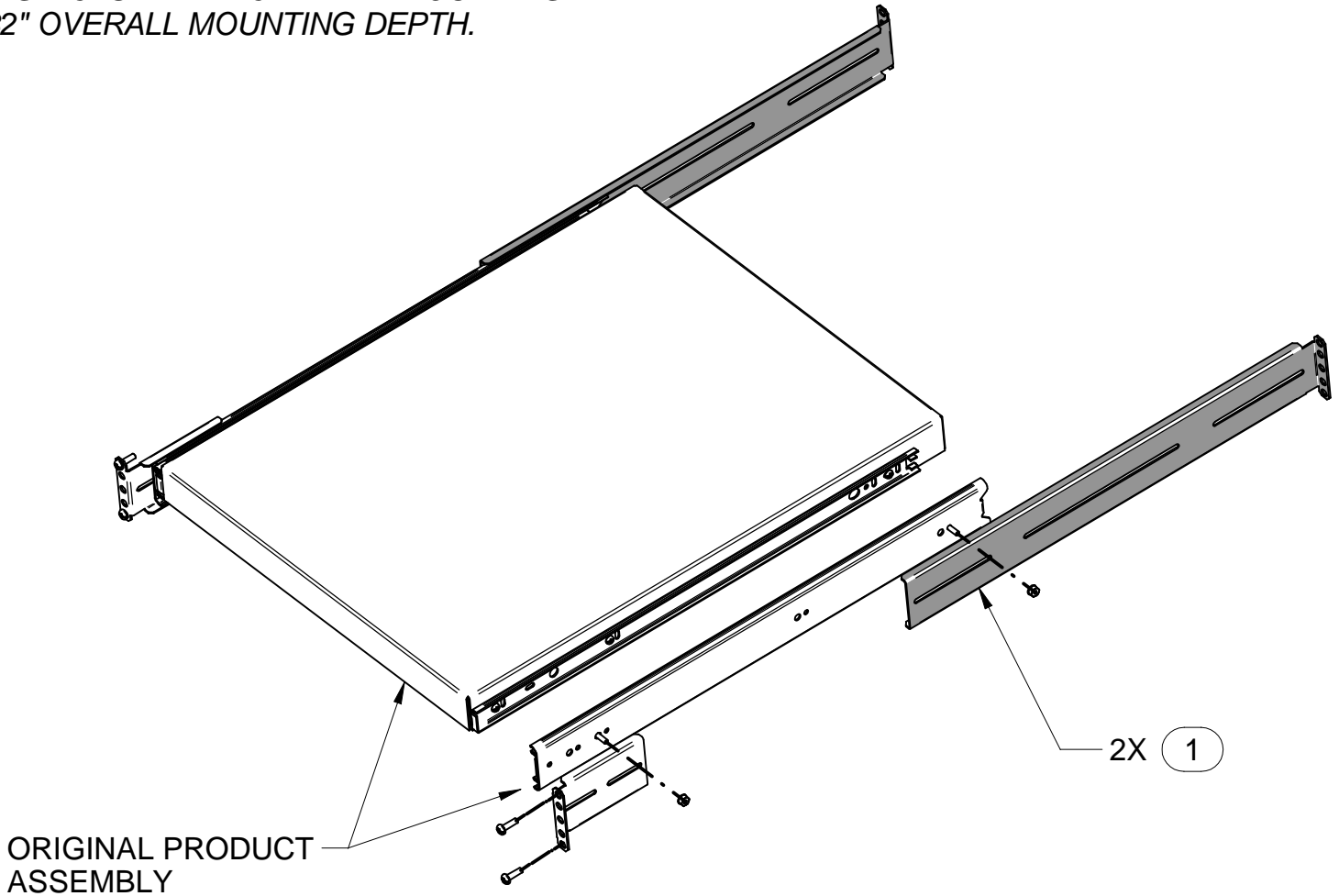


ADDS UP TO 16" TO MOUNTING DEPTH OF SLIDE.
E.G. 16" SLIDE + 16" EXTRA MOUNTING DEPTH =
32" OVERALL MOUNTING DEPTH.



BILL OF MATERIAL		
PART #	DESCRIPTION	QTY
1	SLIDE BRACKET (LONG)	2

ASSEMBLY INSTRUCTIONS:

A) INSTALL LONG EXTENSION BRACKETS ON THE BACK END OF THE SLIDES AT DESIRED DEPTH USING HARDWARE SUPPLIED WITH ORIGINAL PRODUCT.

TOOL BOX



Phillips
Screw Driver



Tape
Measure

